



ZERO S™  
ZERO SR™  
ZERO DS™  
ZERO DSR™

2018 **OWNER'S MANUAL**



<b>Introduction</b> .....	<b>1.1</b>	<b>Safety Information</b> .....	<b>2.1</b>
<b>Introduction</b> .....	<b>1.1</b>	<b>General Safety Precautions</b> .....	<b>2.1</b>
An Important Message From Zero .....	1.1	General Safety Precautions .....	2.1
About This Manual .....	1.1	Important Operating Information .....	2.2
Useful Information For Safe Riding .....	1.2	<b>Location of Important Labels</b> .....	<b>2.3</b>
Unplug Your Z-Force® Power Pack™ .....	1.2	Location of Important Labels .....	2.3
California Proposition 65 .....	1.2	<b>Controls and Components</b> .....	<b>3.1</b>
California Perchlorate Advisory .....	1.2	<b>Controls and Components</b> .....	<b>3.1</b>
<b>Identification Numbers</b> .....	<b>1.3</b>	Motorcycle Controls .....	3.2
Owner Information .....	1.3	Left Side View .....	3.4
Power Pack Serial Number .....	1.4	Right Side View .....	3.6
Motor Serial Number .....	1.4	Dash Overview .....	3.8
Key Code Number .....	1.4	Warning Indicator Lights .....	3.10
Vehicle Identification Number (VIN) / Chassis Number .....	1.4	Dash Settings .....	3.13
<b>General Information</b> .....	<b>1.5</b>	Smartphone Application .....	3.16
Emissions Information .....	1.5	Bluetooth® Pairing .....	3.16
Vehicle Range .....	1.5	Handlebar Controls .....	3.17
Maximizing Your Range .....	1.6	Performance Level Mode Button .....	3.21
Transporting .....	1.9	Front Brake Lever Adjuster .....	3.22
		Parking Brake Operation (if equipped) .....	3.22
		Tank Storage Compartment .....	3.23
		Power Tank (if equipped) .....	3.24
		Charge Tank (if equipped) .....	3.24
		Side Storage Compartment (if equipped) .....	3.25

# Table Of Contents

---

<b>Starting and Operating</b> .....	<b>4.1</b>	<b>Power Pack</b> .....	<b>6.9</b>
<b>General Operation</b> .....	<b>4.1</b>	Power Pack.....	6.9
General Operation .....	4.1	<b>General Maintenance</b> .....	<b>6.10</b>
Key Switch/Steering Lock Positions.....	4.2	Brakes.....	6.10
Motorcycle Tip-Over Sensor .....	4.3	Parking Brake .....	6.14
Operating Your Motorcycle .....	4.4	Suspension .....	6.15
ABS (Anti-lock Braking System) .....	4.6	Wheels And Tires.....	6.16
Front Suspension Adjustment.....	4.9	Tire Inflation .....	6.16
Rear Shock Adjustment .....	4.14	Drive Belt .....	6.17
<b>Charging and Power Pack Information</b> .....	<b>5.1</b>	Headlight Alignment.....	6.21
<b>Power Pack and Charging</b> .....	<b>5.1</b>	Turn Signal Light Bulb Replacement .....	6.24
Power Pack.....	5.1	Brake/Tail LED Replacement.....	6.24
On-Board Power Pack Charger .....	5.2	Running Light Bulb Replacement .....	6.25
Charging the Power Pack .....	5.4	Cleaning.....	6.26
Quick Charging (Off-Board Accessory Charger).....	5.6	Parking and Long Term Storage.....	6.27
Charge Tank (if equipped) .....	5.9	Zero Motorcycles Accessories .....	6.27
Public Charging Stations.....	5.10	Fuses .....	6.27
Add On Electrical Equipment.....	5.10	<b>Troubleshooting</b> .....	<b>7.1</b>
<b>Maintaining Your Motorcycle</b> .....	<b>6.1</b>	<b>Troubleshooting</b> .....	<b>7.1</b>
<b>Maintaining Your Motorcycle</b> .....	<b>6.1</b>	Electric Motorcycle Precautions .....	7.1
Owner's Responsibilities.....	6.1	Troubleshooting Your Motorcycle .....	7.1
Parts/Maintenance Items .....	6.2	System Warning Indicator .....	7.2
Service History .....	6.2	Dash Error Codes .....	7.5
Scheduled Maintenance .....	6.2	General Troubleshooting .....	7.8
Component Fasteners .....	6.6	Cold and Hot Weather Considerations .....	7.9
		Safety Interlocks .....	7.11

**Technical Specifications ..... 8.1**

**Specifications (Europe) ..... 8.1**

- VIN Breakdown ..... 8.1
- Zero S (11kW)..... 8.2
- Zero S ..... 8.4
- Zero SR..... 8.6
- Zero DS (11kW) ..... 8.8
- Zero DS..... 8.10
- Zero DSR ..... 8.12

**Specifications (Rest Of The World) ..... 8.14**

- VIN Breakdown ..... 8.14
- Zero S ..... 8.15
- Zero SR..... 8.17
- Zero DS..... 8.19
- Zero DSR ..... 8.21

**Warranty and Customer Information ..... 9.1**

**Limited Warranty Information ..... 9.1**

- Who Is The Warrantor? ..... 9.1
- Who Does This Limited Warranty Cover? ..... 9.1
- What Does This Limited Warranty Cover? ..... 9.1
- What Is The Coverage Period Of This Limited Warranty? ..... 9.2
- What Is Not Covered By This Limited Warranty?..... 9.3
- What Other Limitations Or Disclaimers Apply To This Limited Warranty ..... 9.5
- What Are Your Responsibilities As A Customer? ..... 9.6
- What Will Zero Do Under This Limited Warranty? .... 9.7

- How Does This Limited Warranty Relate To State Law? ..... 9.7
- How Do You Obtain Service Under This Limited Warranty? ..... 9.8
- Transfer Of Ownership And Limited Warranty ..... 9.9

**Customer Information ..... 9.10**

- Customer Assistance ..... 9.10
- Reporting Safety Defects ..... 9.11

**Maintenance Record ..... 10.1**

**Maintenance Record..... 10.1**

- Service History ..... 10.1

**Index**

**First Responder Information – High Voltage Component Locations**



## An Important Message From Zero

Congratulations and thank you for purchasing the 2018 Zero S, Zero SR, Zero DS, or Zero DSR electric motorcycle; we welcome you to the community of Zero Motorcycles riders. This manual is designed to provide you with a better understanding of the operation, inspection, and basic maintenance requirements of this motorcycle.

Zero continually seeks advancements in product design and quality. Therefore, this manual contains the most current product information available at the time of printing. Because of this, your motorcycle may differ from the information supplied in this owner's manual. No legal claims can be made on the basis of data in this manual. When it comes time to sell your Zero S/SR/DS/DSR, please ensure that this manual stays with the motorcycle; it is, by law, an important part of the vehicle. If you have any questions concerning the operation or maintenance of your motorcycle, please contact your authorized Zero Motorcycles dealer.

For 24 hour updates and additional information about your motorcycle, visit the Owner Resources section of the Zero Motorcycles website:

<http://www.zeromotorcycles.com/owner-resources/>

## About This Manual

This manual covers the following motorcycles (standard features and equipment include Integrated Z-Force® Power Pack and charger, belt drive, 17-inch wheels (unless otherwise specified), and regenerative braking):

- Zero S: Street
  - Cast Wheels
  - Street Tires
- Zero SR: Street - Max Performance
  - Cast Wheels
  - Street Tires
- Zero DS: Dual Sport
  - Cast Wheels (19-inch diameter front)
  - Dual Sport Tires
- Zero DSR: Dual Sport - Max Performance
  - Cast Wheels (19-inch diameter front)
  - Dual Sport Tires

## Locating and referencing information

A good place to locate information about the motorcycle is in the index in the back of the manual.

The terms “right” or “left” refer to the rider's right or left when sitting on the motorcycle.

# Introduction

---

## Useful Information For Safe Riding

This manual contains the word WARNING to indicate something that could hurt you or others. It also contains the word CAUTION to indicate things that could damage your motorcycle.

**WARNING!** Please read this manual carefully and completely before operating this motorcycle. Do not attempt to operate this motorcycle until you have attained adequate knowledge of its controls and operating features, and until you have been trained in safe and proper riding techniques. Regular inspections and proper maintenance, along with good riding skills, help you safely enjoy the capabilities and the reliability of this motorcycle. Disregarding the aforementioned, however, may render the warranty invalid.



This symbol is located in various locations on the motorcycle to inform you that exposure to high voltage can cause shock, burns and even death.

The high voltage components on the motorcycle should be serviced only by technicians with special training.

High voltage cable or wiring has an orange covering. Do not probe, tamper with, cut, or modify high voltage cable or wiring.

## Unplug Your Z-Force® Power Pack™

**CAUTION:** Proper care of the motorcycle's power pack is essential! Once your motorcycle is charged, disconnect the power pack from AC power. Leaving your motorcycle unplugged will maximize long-term power pack health. See *"Power Pack", on page 5.1* for other important information regarding the power pack.

## California Proposition 65

**WARNING:** Certain motorcycles contain or emit chemicals known to the State of California to cause cancer and birth defects or other reproductive harm. In addition, certain fluids contained in vehicles and certain products of component wear contain or emit chemicals known to the State of California to cause cancer and birth defects or other reproductive harm.

## California Perchlorate Advisory

**WARNING:** Certain components of this motorcycle such as lithium batteries may contain perchlorate material. Special handling may apply for service or end of life disposal. See [www.dtsc.ca.gov](http://www.dtsc.ca.gov).

## Owner Information

Record information pertaining to your motorcycle here. When contacting your dealer, you may need to provide this information.

Dealer Information	Motorcycle Information
Name _____	VIN _____
Address _____ _____ _____	Model _____
Telephone No. _____	Power Pack Serial Number _____ _____
E-mail _____	Motor Serial Number _____ _____
Date of Purchase _____	Key Code _____

ZOM0272

# Identification Numbers

---

## Power Pack Serial Number

The Power Pack serial number is located on the upper front left of the power pack.

## Motor Serial Number

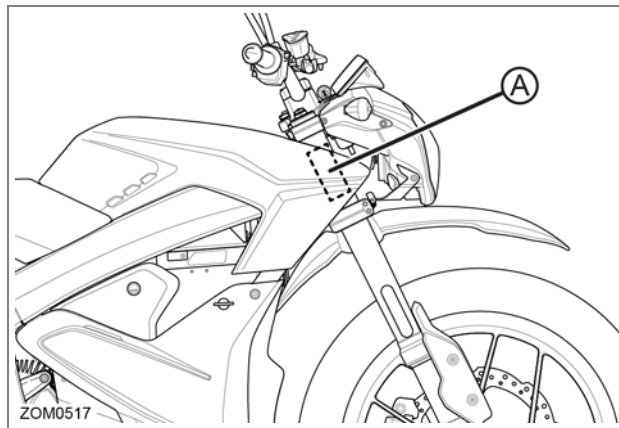
The motor serial number is stamped on the right hand side of the motor housing.

## Key Code Number

The key code is a 5-digit number used to create duplicate keys. This number is located on a tag that accompanies the original keys.

## Vehicle Identification Number (VIN) / Chassis Number

The VIN / Chassis Number (A) is a 17-digit number stamped on the head tube of the frame. Do not alter or remove this number as it is the legal identifier for your motorcycle.



For information on the breakdown of the VIN, see *“Technical Specifications”*, on [page 8.1](#).

For the location of other important labels, see [page 2.3](#).

## Emissions Information

The Zero S/SR/DS/DSR electric motorcycle is a true freeway-capable zero-emissions vehicle under California Air Resources Board (CARB), U.S. Federal (EPA), and European Union standards. It uses no gasoline or other liquid fuel. It has no tailpipe and therefore no tailpipe emissions. It also has no exhaust or evaporative emissions. Because the Zero S/SR/DS/DSR runs solely on electricity, it is the only kind of vehicle which actually gets cleaner in terms of air pollution each year, as the electricity grid gets cleaner and more renewable. Zero Emissions Vehicles (ZEV's) offer greater efficiency, and can help solve the serious air pollution, global warming, and energy security problems facing the country and the world.

**CAUTION:** Please use only Zero approved parts and accessories for your Zero Motorcycle. Parts and accessories for your Zero Motorcycle have been checked and tested for safety and suitability. Zero is unable to accept any liability whatsoever for parts and accessories which have not been approved.

## Vehicle Range

The range of an electric vehicle is defined as the distance the vehicle travels on a single full charge of the power pack. Just like EPA mileage estimates on an automobile, "your mileage may vary." Your range results are a direct reflection of your riding habits. The more conservatively you ride, the better range you can expect from your Zero S/SR/DS/DSR motorcycle.

Some of the factors which affect range include: speed, acceleration, number of starts and stops, ambient air temperature, as well as changes in elevation. The combination of these factors, as you travel from one point to another, defines your trip profile. In addition, tire pressure and payload are important considerations.

We suggest that you ride conservatively when you first get your Zero S/SR/DS/DSR motorcycle, and get to know your motorcycle and your commute. Once you become familiar with the range versus performance of your motorcycle, then you can adjust your riding characteristics if you so desire. This applies mainly to riders with trip profiles which are at the edge of the performance envelope.

The reported motorcycle range values in this Owner's Manual are measured using different standards, according to the country the Zero motorcycle is being sold.

# General Information

---

For Zero motorcycles sold within European countries, range is calculated using European Union regulation EU 134/2014 Annex VII.

For Zero motorcycles sold in all other countries, range is calculated using the following types of industry standard test procedures:

1. “City”: This range test is specified to determine riding during “stop-and-go” operation typically found in urban areas. This estimate is provided following the SAE J2982 Riding Range Test Procedure for On-Highway Electric Motorcycles to provide a reasonable and consistent basis for manufacturers to inform prospective owners of the riding range that can be expected under specified operating conditions. Actual range will vary based on riding conditions and habits.
2. “Highway”: This test procedure uses two separate constant speeds of 55 mph (89 km/h) and 70 mph (113 km/h) to simulate highway riding.

Both of these test procedures are run on a single charge, in order to report the associated measured range values.

Range values labeled “Combined” are based on a calculation that assumes a duty cycle comprised of 50% City / 50% Highway.

See technical specification charts on [page 8.15](#) through [page 8.21](#) for these ranges.

## Maximizing Your Range

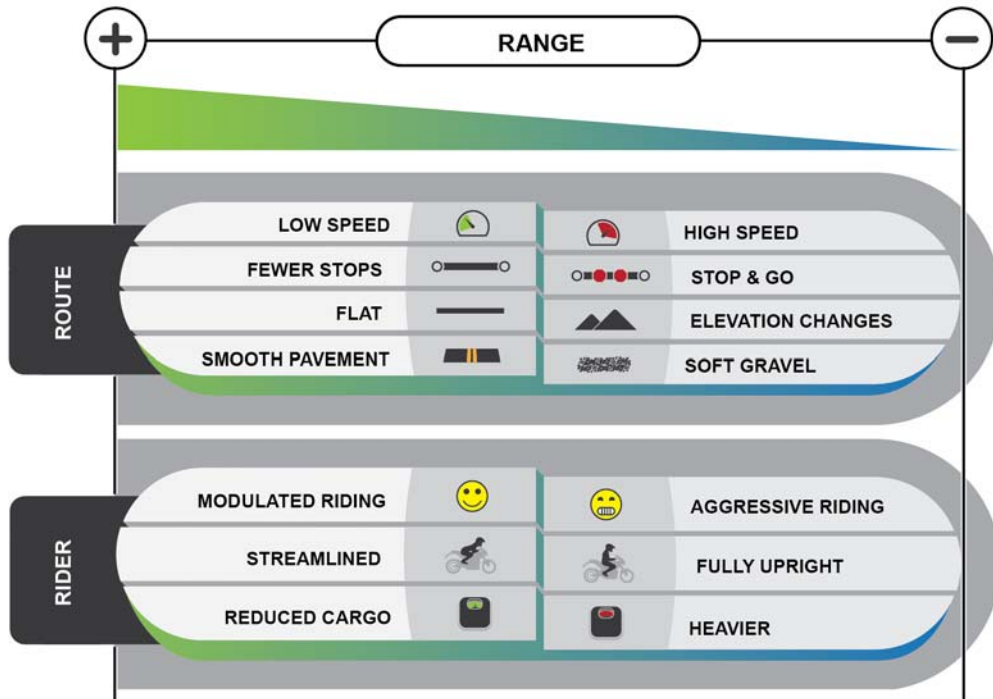
Range varies in electric motorcycles similarly to how it varies in gas motorcycles. However, the big difference between electric and gas is that energy consumption is averaged over a shorter distance on an electric motorcycle. Electric motorcycles are designed for convenient daily recharges versus less frequent and less convenient trips to the gas station. As a result, the same electric motorcycle often yields different ranges from one full recharge to the next.

### How to Predict the Range

To generally predict how an electric motorcycle’s range will be affected, you can use the four factors:

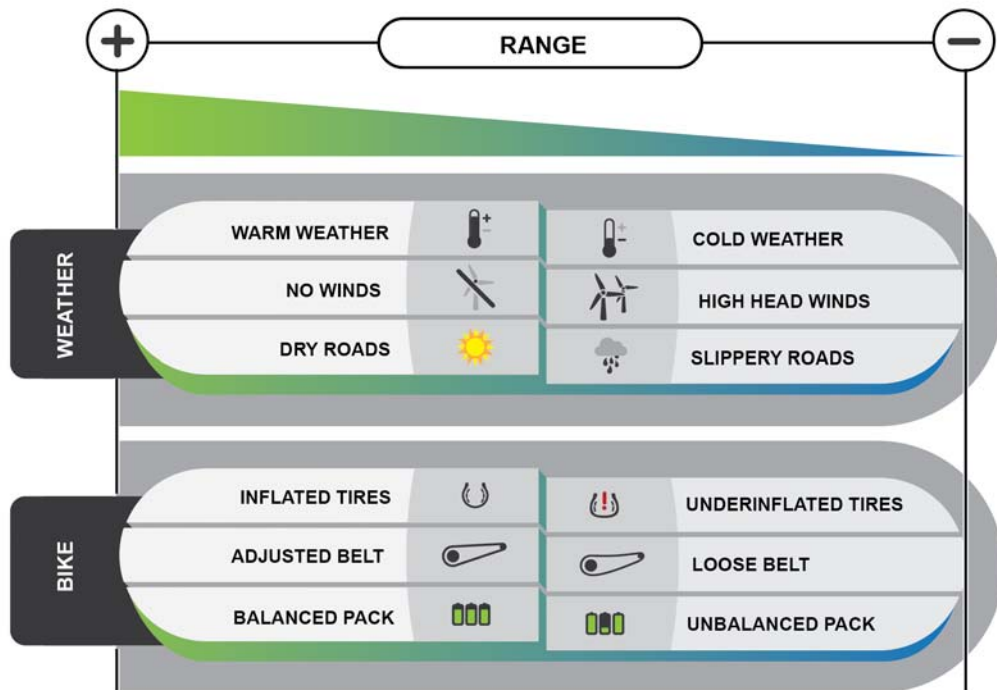
- route
- rider
- weather
- motorcycle

By considering each of these factors, you can use specifications such as ‘city range’ as standards to estimate what the motorcycle’s real world range will be under your particular usage case.



ZOM0455

# General Information

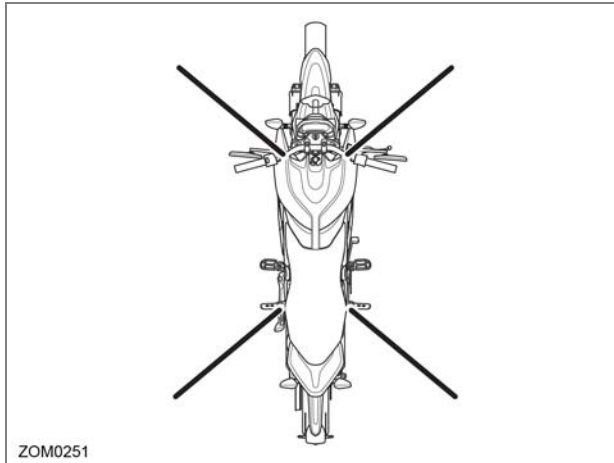


ZOM0467

## Transporting

It is recommended that the motorcycle be tied-down using ratchet straps while it is being transported. Place the ratchet straps around a frame contact point. Soft straps must be used to reduce scratches or other damage.

Use two ratchet straps in the front and two in the rear. The tie down straps should be at a 45° angle from the motorcycle. Follow the manufacturer's instructions for the ratchet straps you are using.





## General Safety Precautions

- This is a performance motorcycle and should be treated with extreme caution.
- Proper safety gear, including a regionally approved helmet, eye protection, riding boots, gloves, and protective clothing should be worn while riding to reduce the risk of potential injury. We highly recommend the use of full height riding boots. It is not recommended to ride without the correct protective clothing; this applies to even short journeys and to every season of the year.
- Read all additional warnings and product instructions in this owner's manual, as well as safety labels, before operating your electric motorcycle.
- Never permit a guest to ride your electric motorcycle without proper instruction.
- Never use alcohol or mind-altering drugs before operating your electric motorcycle.
- Persons unwilling or unable to take responsibility for their actions should not use this motorcycle. You assume all responsibility while operating your motorcycle. The seller assumes no liability for misuse or operator negligence.
- Prior to each use the rider must check everything in the "every ride" column of the maintenance schedule on [page 6.2](#), and the charge level of the power pack as indicated on the dash display charge indicator.
- Your safety depends in part on the good mechanical condition of the motorcycle. Be sure to follow the maintenance schedule and adjustment requirements contained in this manual. Be sure you understand the importance of checking all items thoroughly before riding.
- Modifications to the motorcycle may render the vehicle unsafe and may cause severe personal injury. Zero cannot be held liable for non-approved modifications.
- Be very careful when loading or adding accessories to your motorcycle. Large, bulky, or heavy items may adversely affect the handling and performance of your motorcycle.

# General Safety Precautions

---

## Important Operating Information

Several operating considerations are listed below:

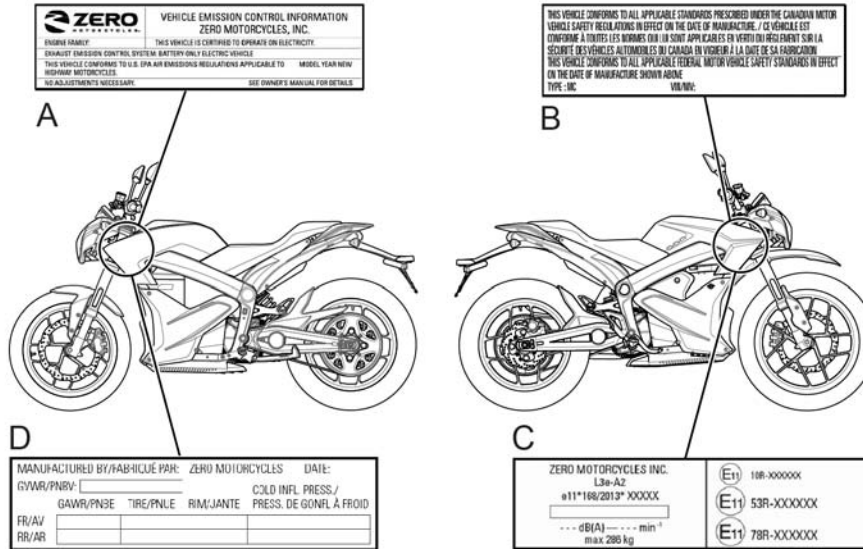
- Always turn the key switch and motor stop switch to the OFF position when not actively riding. It is very easy to forget that the motorcycle is powered up because it is silent. An accident can occur if the motorcycle is left powered up while getting on or off the motorcycle.
- Turn the motor stop switch OFF when backing up or pushing the motorcycle while dismounted.
- Use the rear brake when you are stopped on an incline. **Do not hold the motorcycle using partial throttle or damage to the motor may occur.**
- Plug your motorcycle into an AC power source to recharge it after each use. Once recharged, disconnect from the AC power source. Leaving your motorcycle unplugged between charges will maximize the long-term health of the power pack. You should also use the supplied cable as it is designed for use with your motorcycle's electrical components.
- While unplugged with the key in the OFF position, the motorcycle's electronics will consume a very small amount of power and the power pack will drain extremely slowly. If you don't ride for an extended period of time (30 days or more), you may want to plug the motorcycle into an AC power source to charge it for a few hours prior to your next ride.

**CAUTION:** Only charge the Zero power pack with the motorcycle's on-board charger or the approved Zero accessory charger.

- The power pack does not require nor benefit from deep discharging. To get the most power pack life, recharge each power pack immediately after each ride. Leaving a power pack in a discharged state will cause damage.
- Failure to follow power pack storage and charging instructions as described in this Owner's Manual may void the warranty of your Zero Motorcycle. These guidelines have been rigorously tested to ensure maximum power pack efficiency and service.

## Location of Important Labels

The motorcycle could contain the following information for both North American and European models:



ZOM0610

A. VECI (Vehicle Emission Control Information) label

B. VIN label (North America) - certification label

C. VIN label (European Union) - certification label

D. Tire and loading information label

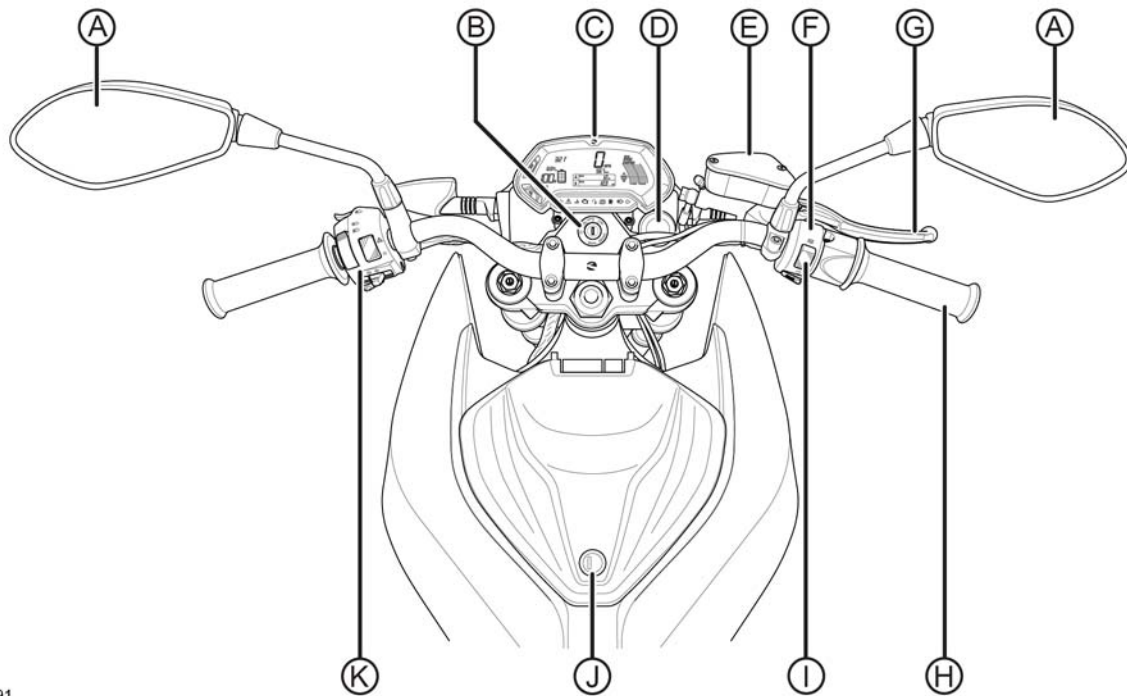


**THIS PAGE INTENTIONALLY LEFT BLANK**

# Controls and Components

---

## Motorcycle Controls



ZOM0591

## A. Mirrors

This motorcycle is equipped with convex mirrors. A convex mirror has a curved surface. Convex mirrors offer a greater field of view than a similar flat mirror. However, the greater field of view makes objects seem further away than they really are. Care must be used when judging the distance of objects seen in these mirrors.

## B. Key Switch/Steering Lock

For description and operation, see [“Key Switch/Steering Lock Positions”](#), on page 4.2.

## C. Dash

For description and operation, see [“Dash Overview”](#), on page 3.8.

## D. Cavity for Accessory 12 Volt Socket

Location for Zero dealer-installed 12 volt accessory socket.

## E. Front Brake Fluid Reservoir

For description and operation, see [“Brakes”](#), on page 6.10.

## F. Right Handlebar Control

For description and operation, see [“Handlebar Controls”](#), on page 3.17.

## G. Front Brake Lever

For description and operation, see [“Handlebar Controls”](#), on page 3.17.

## H. Throttle Control

For description and operation, see [“Handlebar Controls”](#), on page 3.17.

## I. Motor Stop Switch

For description and operation, see [“Handlebar Controls”](#), on page 3.17.

## J. Tank Storage Lock

Lock for motorcycle tank bag, see [“Tank Storage Compartment”](#), on page 3.23.

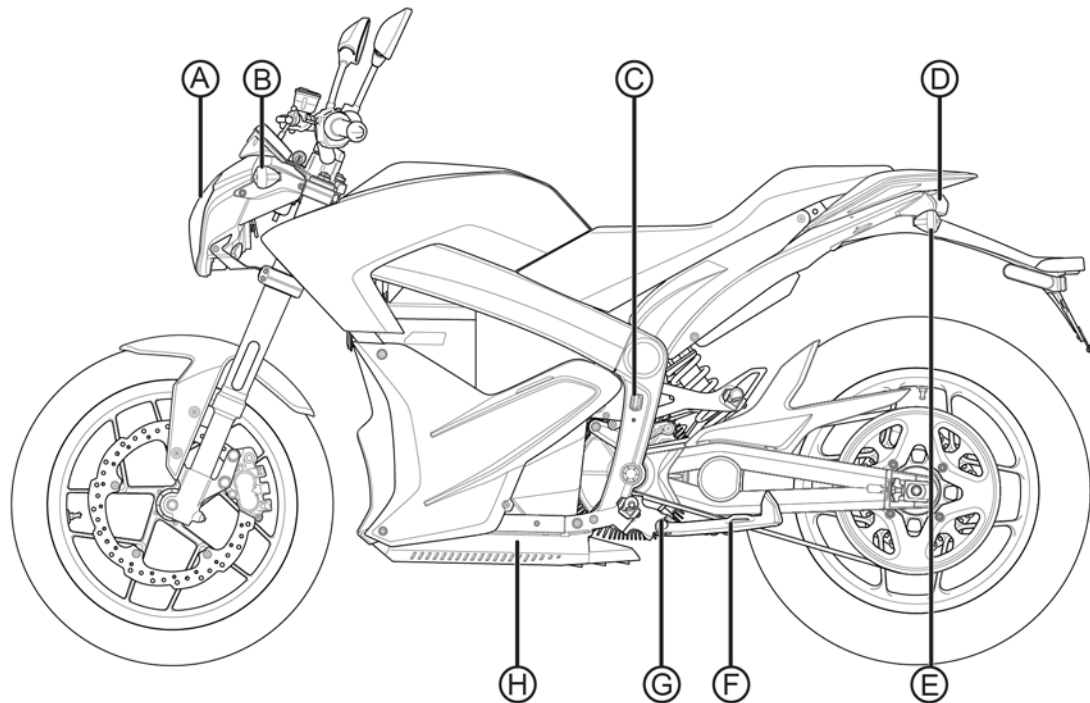
## K. Left Handlebar Control

For description and operation, see [“Handlebar Controls”](#), on page 3.17.

# Controls and Components

---

## Left Side View



ZOM0519

## A. Headlight

- For headlight operation, see “Handlebar Controls”, on page 3.17.
- For headlight bulb replacement, see “Headlight Bulb Replacement”, on page 6.22.
- For headlight alignment, see “Headlight Alignment”, on page 6.21.

## B. Front Turn Signal

- For turn signal operation, see “Handlebar Controls”, on page 3.17.
- For turn signal light bulb replacement, see “Turn Signal Light Bulb Replacement”, on page 6.24.

## C. AC Charger Power Connection

For description and operation, see “Power Pack”, on page 5.1.

## D. Brake/Tail Light

For brake/tail light bulb replacement, see “Brake/Tail LED Replacement”, on page 6.24.

## E. Rear Turn Signal

- For turn signal operation, see “Handlebar Controls”, on page 3.17.
- For turn signal light bulb replacement, see “Turn Signal Light Bulb Replacement”, on page 6.24.

## F. Kickstand

The kickstand swings out from the side and supports the motorcycle when parked. The key switch should be in the OFF position when parked.

## G. Kickstand Switch

This switch is a safety feature that prevents motor operation when the kickstand is down. If the kickstand were down when riding it could contact the ground causing you to lose control of the motorcycle and cause personal injury.

**CAUTION:** Park only on a flat firm surface, otherwise the motorcycle could fall over causing damage.

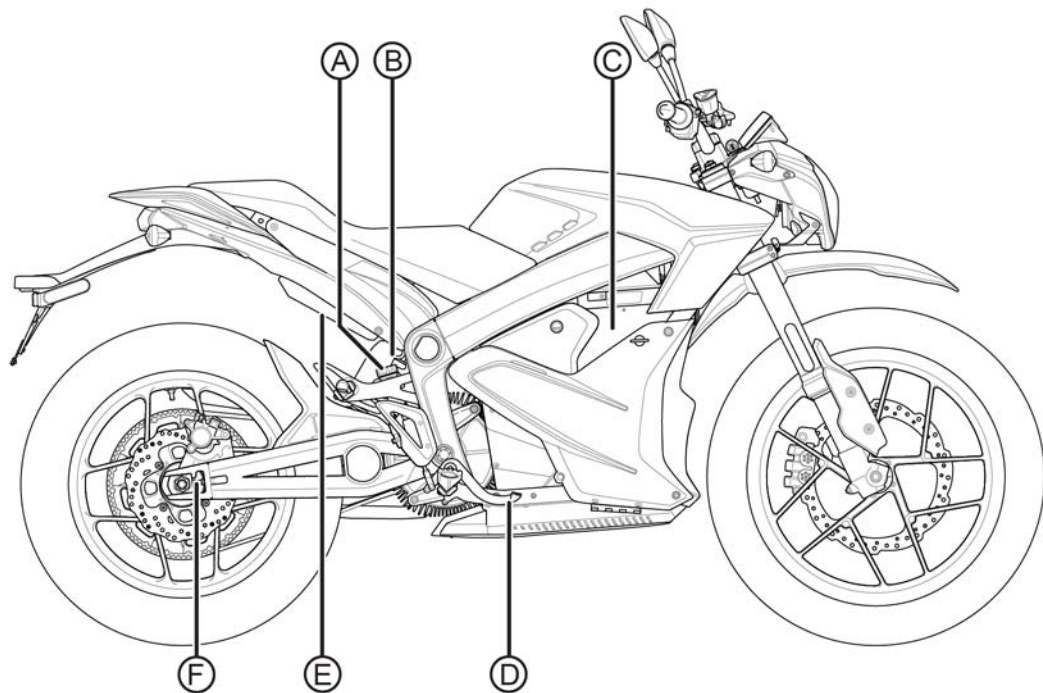
## H. Integrated Power Pack Charger

For description and operation, see “Power Pack”, on page 5.1.

# Controls and Components

---

## Right Side View



ZOM0520

## A. Rear Brake Fluid Reservoir

See *“Rear Brake Fluid Reservoir”*, on page 6.11.

## B. Auxiliary Power Pack Charging Connection

For description and operation, see *“Quick Charging (Off-Board Accessory Charger)”*, on page 5.6. The auxiliary connector is located above the motor.

## C. Power Pack

For description and operation, see *“Power Pack”*, on page 5.1.

## D. Rear Brake Pedal

The rear brake pedal controls the rear brake when the pedal is pressed. When braking, the throttle should be in the closed position. The brake light illuminates when the rear brake pedal is applied.

## E. Brushless Motor Controller

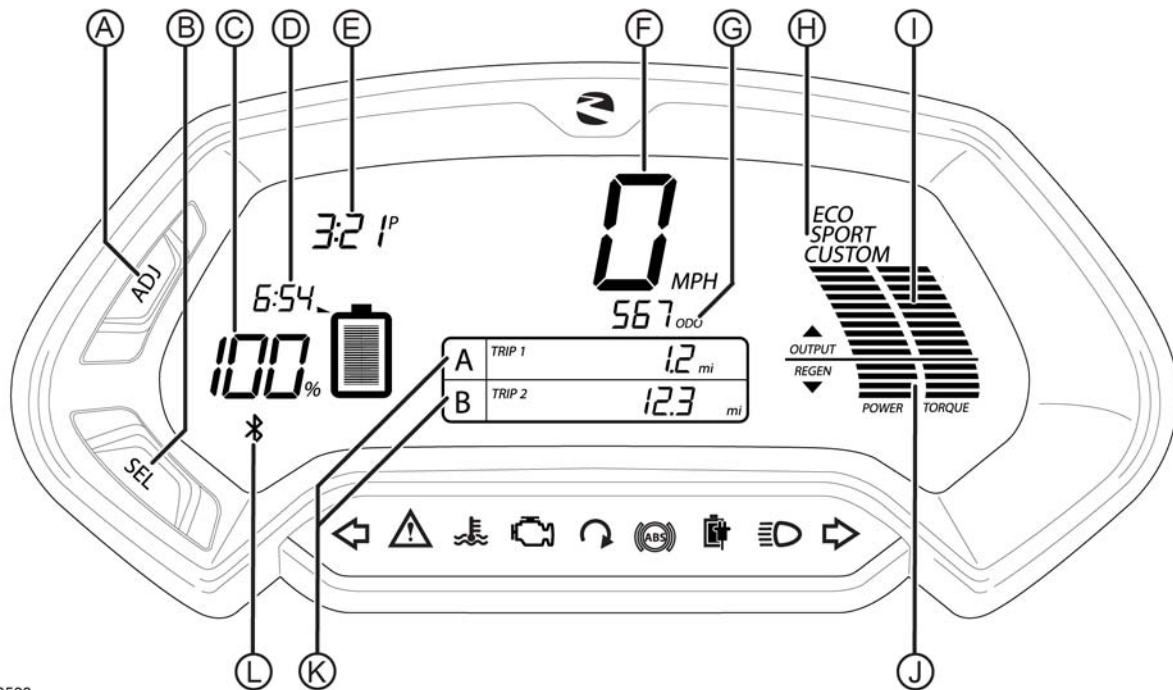
Precisely “meters” the flow of electricity from the power pack to the motor according to the action of the throttle and surrounding conditions.

## F. Drive Belt Tension Adjuster

Located on left and right side. See *“Gates® Carbon Drive™ Smartphone Application”*, on page 6.19 for additional information.

# Controls and Components

## Dash Overview



ZOM0583

## A. Adjust Button (ADJ)

See *“Dash Settings”, on page 3.13.*

## B. Select Button (SEL)

See *“Dash Settings”, on page 3.13.*

## C. Charge Indicator

This indicator and readout displays the amount of energy remaining in the power pack, similar to the fuel gauge on a gasoline powered vehicle.

## D. Remaining Charge Time Indicator

This area displays the amount of time left for the power pack to reach full charge.

## E. Clock

The clock displays time in standard (AM/PM) or 24 hour mode. See *“Setting the Clock”, on page 3.14.*

## F. Speedometer

The speedometer is a digital display in either kilometers per hour (km/h) or miles per hour (mph). See *“Unit Display - Speed”, on page 3.15.*

## G. Odometer

The odometer displays the total distance the motorcycle has been ridden in kilometers or miles.

## H. Performance Modes

This area displays which performance riding mode (**ECO**, **SPORT**, and **CUSTOM**) has been selected by

the rider using the performance level mode button located on the right handlebar control assembly. See *“Performance Level Mode Button”, on page 3.21.*

## I. Output Meter

The **OUTPUT** meter indicates the amount of **TORQUE** applied to the rear wheel and the **POWER** (energy) being used while riding.

## J. Regen Meter

The regenerative energy (**REGEN**) meter indicates the amount of **TORQUE** on the rear wheel and the **POWER** (energy) feeding back into the battery of the motorcycle during the regenerative braking process.

## K. Displays A&B

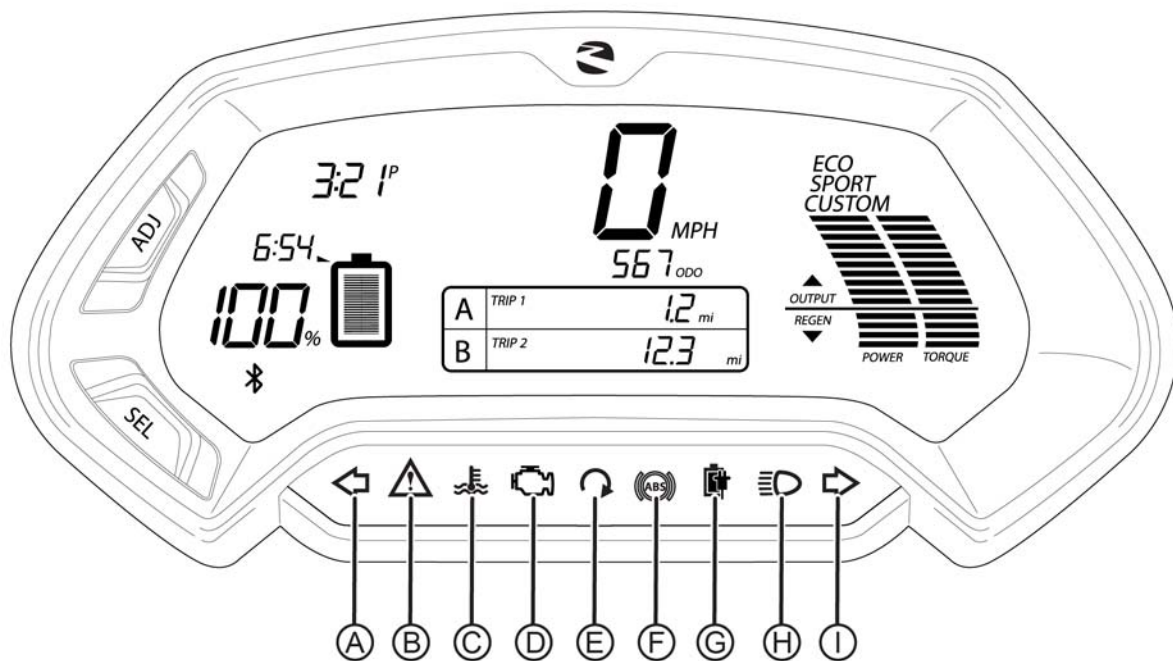
Displays A&B can be customized to display functions which include Trip odometers, Range, Errors, RPM, Trip Average, Lifetime Average, and Temperature. All are accessible by using the **ADJ** and **SEL** buttons. See *“Dash Settings”, on page 3.13.*

## L. Bluetooth® Indicator






This indicator displays when an active Bluetooth® equipped smartphone is paired with the motorcycle. For Pairing instructions, see *“Bluetooth® Pairing”, on page 3.16.*

# Controls and Components

## Warning Indicator Lights







ZOM0584

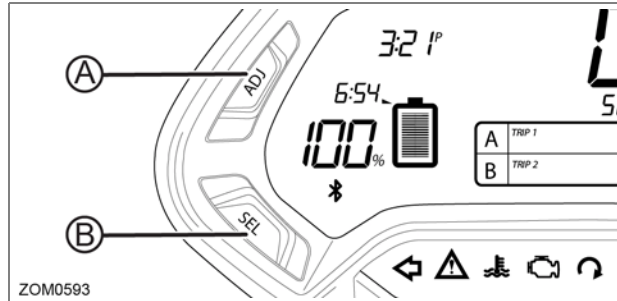
A		<b>Left Turn Signal Indicator</b>	Flashes green when a left turn is selected by the turn signal switch. This arrow remains flashing until the turn signal request has been canceled.
B		<b>System Warning Indicator</b>	Indicates a system warning has been detected. See <i>“System Warning Indicator”</i> , on page 7.2 for more information.
C		<b>Temperature Warning Indicator</b>	<ul style="list-style-type: none"> <li>• A flashing light indicates that one or more of the powertrain components are approaching their temperature limit. Performance will not be affected.</li> <li>• If the light illuminates continuously, it indicates that one or more of the powertrain components have exceeded their temperature limit. Performance will be reduced until the component(s) have cooled sufficiently.</li> </ul> See <i>“Temperature Indicator”</i> , on page 4.5.
D		<b>Check Engine Light</b>	Indicates the motorcycle has detected an error, causing it to enter into a state of permanent torque reduction. This light will be accompanied by a dash error code. See <i>“Dash Error Codes”</i> , on page 7.5 for more information. Contact your dealer and arrange to have the motorcycle serviced.
E		<b>Armed/Live Indicator</b>	Indicates the motorcycle is live or ready to move if the throttle is actuated.

## Controls and Components

---

F		<b>ABS (Anti-Lock Brake System) Indicator</b>	The indicator illuminates when the key is in the ON position. The light will extinguish when the motorcycle exceeds 3 mph (5 km/h). Unless there is a fault, the indicator will stay off until the key is cycled off and back to the ON position again. See <i>“ABS (Anti-lock Braking System)”</i> , on page 4.6 for more information.
G		<b>Charging Indicator</b>	Flashes slowly when the motorcycle is accepting a charge. The indicator flashes rapidly when a charging error is detected. The indicator is solid green when the battery is completely charged.
H		<b>High Beam Indicator</b>	When the headlight high beam is on, this indicator illuminates blue, and remains on until the high beam is turned off.
I		<b>Right Turn Signal Indicator</b>	Flashes green when a right turn is selected by the turn signal switch. This remains flashing until the turn signal request has been canceled.

## Dash Settings



The displays on the dash can be customized to your personal preferences by using the **ADJ** (Adjust) and **SEL** (Select) buttons.

### A. Adjust Button (ADJ)

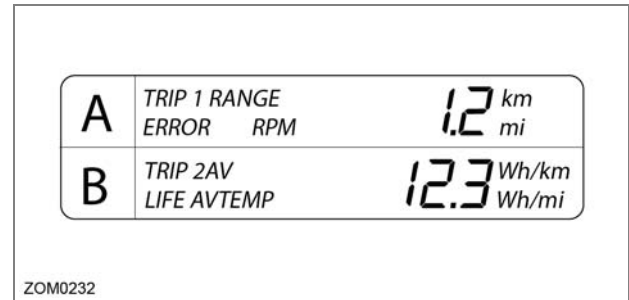
By momentarily pressing or holding the **ADJ** button you can reset fields and toggle through the trip menus and display options.

### B. Select Button (SEL)

By momentarily pressing or holding the **SEL** button you can reset or select fields in Display A and Display B, change the time, and change the display units.

*Note: Once a feature is selected, it will stop flashing after 15 seconds if no further button press is detected, and the dash will return to its normal operating mode.*

## Displays A&B



### Display A

To select Display A with the dash in its normal operating mode, momentarily press the **SEL** button once. Press the **ADJ** button to toggle through the following fields:

- Trip 1 Odometer - Displays individual trip mileage and is reset by pressing and holding the **ADJ** button for 2 seconds.

*Note: Trip 1 is reset each time the battery is recharged to 100%.*

- Range - Displays remaining battery power based on learned riding style and usage.
- Error - Displays 2-digit error codes for dealer use. See [“Dash Error Codes”, on page 7.5.](#)
- RPM - Displays motor RPM.

# Controls and Components

## Display B

To select Display B with the dash in its normal operating mode, momentarily press the **SEL** button twice. Press the **ADJ** button to toggle through the following fields:

- Trip 2 Odometer - Displays individual trip mileage and is reset by pressing and holding the **ADJ** button for 2 seconds.
- Trip AV - Displays the average energy usage during duration of Trip 1 in watt hours (Wh), per mile (mi), or kilometer (km), depending on the currently selected display unit.

*Note: The Trip AV is reset each time the battery is recharged to 100%.*

- Temp - Displays the temperature of the motor in Fahrenheit (F) or Celsius (C).

*Note: The temperature may not read accurately during the first 5 miles of a ride while the application is calibrating itself.*

- Life AV - Displays the average energy usage over the life of the motorcycle in watt hours (Wh), per mile (mi), or kilometer (km), depending on the currently selected display unit.

## Setting the Clock



To set the clock with the dash in its normal operating mode, press and hold the **SEL** button for 5 seconds, then momentarily press the **SEL** button once more. The clock display will start to flash.

- Hours - Press and release the **ADJ** button to increase the hour setting.
- Minutes - Press and release the **SEL** button once to select the minute display, then press and release the **ADJ** button to increase the minute setting.
- Standard or 24 Hour Mode - Press and release the **SEL** button to select the time format, then press the **ADJ** button to select P (am/pm mode) or 24:00 (24 hour mode).

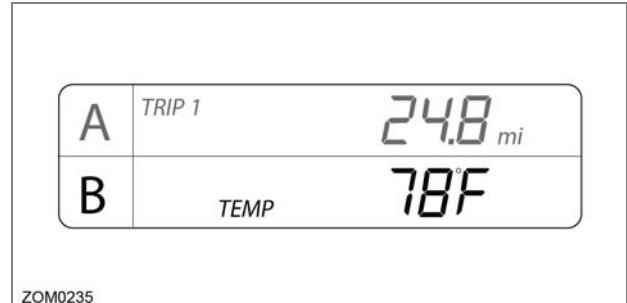
## Unit Display - Speed



To change the units that speed is shown in:

1. With the dash in its normal operating mode press and hold the **SEL** button for 5 seconds.
2. Momentarily press the **ADJ** button to select English (MPH) or metric (km/h).
3. Momentarily press the **SEL** button to return to normal operating mode.

## Unit Display - Temperature



To change the units that the temperature display is shown:

1. With the dash in its normal operating mode press and hold the **SEL** button for 5 seconds.
2. Momentarily press the **SEL** button 4 times, the Temp icon on the lower dash will start to flash.
3. Press the **ADJ** button to toggle between °F or °C on the display.
4. Momentarily press the **SEL** button to return to normal operating mode.

# Controls and Components

---

## Smartphone Application

You can download a smartphone application that lets you perform the following tasks related to your motorcycle:

- Adjust the CUSTOM mode for performance gains.
- Collect and email logs to Zero support staff.
- Examine the precise State of Charge (SOC) of your motorcycle.
- Examine real time power usage.

The Smartphone application is available for free at both the Apple iTunes store and Google Play store. iTunes® is a registered trademark of Apple. Google Play® store is a registered trademark of Google.

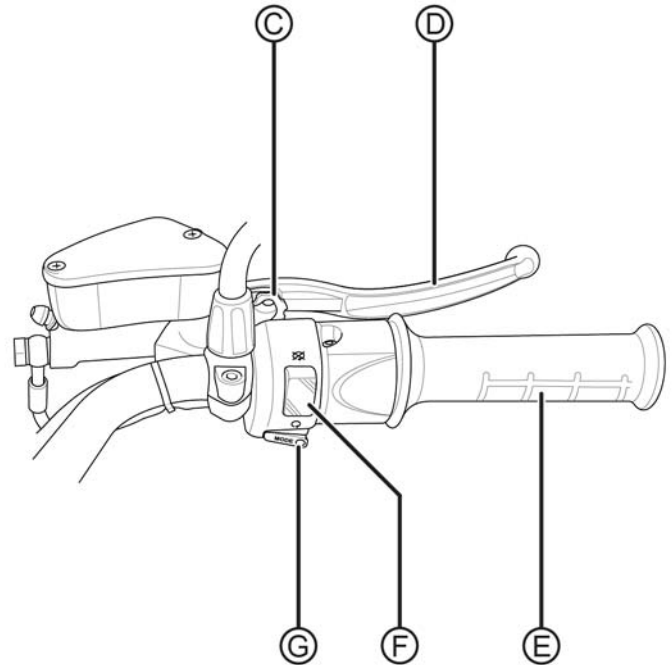
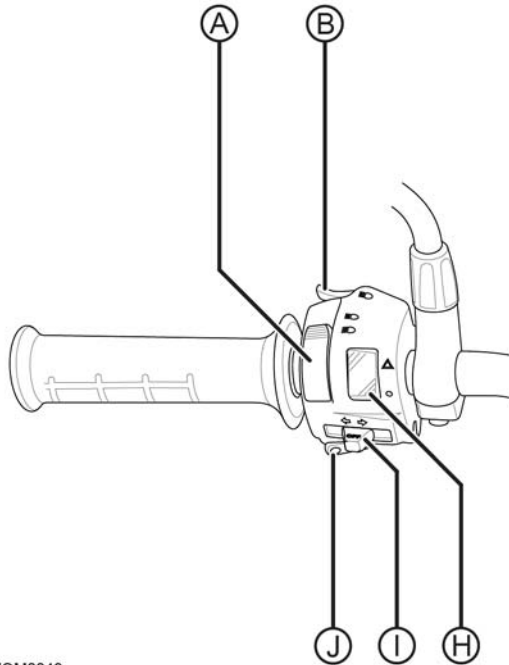
## Bluetooth® Pairing

The following steps must be taken to properly pair a Bluetooth®-equipped smartphone with your motorcycle.

1. Ensure that the motorcycle is not Armed. The motorcycle must be keyed ON, the kickstand must be in the down position, and the run switch must be in the Stop position.
2. Press and hold the Mode button on the right handlebar for a minimum of 5 seconds until the Bluetooth® symbol on the dash begins to blink, then you may release the Mode button.
3. Your motorcycle will be discoverable with the Bluetooth® ID of ZeroMotorcyclesXXXXX (XXXXX refers to the last 5 digits of the motorcycle's VIN).
  - For iOS devices, go to the Settings application on your smartphone and locate the Bluetooth® menu and pair with your motorcycle.
  - For Android devices, go to the Settings tab in your Zero Android application and choose the button with the Bluetooth® symbol.

*Note: When the Bluetooth® indicator on the dash display is solid, your motorcycle and smart phone are paired over Bluetooth®.*

## Handlebar Controls



ZOM0343

# Controls and Components

## A. Headlight High/Low Beam Switch



When the switch is pushed, the headlight changes from low beam to high beam. It stays in the selected position until it is switched back. When in high beam position, the high beam indicator on the lower dash illuminates.

## B. Flash-to-Pass

When the headlight is in the low beam position, push the flash-to-pass switch and the high beam illuminates and stays illuminated until the switch is released. When released, this switch defaults back to the low beam position. The high beam indicator also illuminates.

## C. Front Brake Lever Adjuster

Adjustment knob to set front brake lever position. Refer to *“Parking Brake Operation (if equipped)”*, on [page 3.22](#).

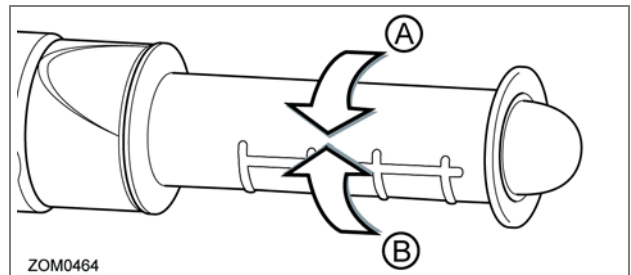
## D. Front Brake Lever

The front brake lever controls the front brake when the lever is squeezed. When braking, the throttle should be in the closed position. The brake light also illuminates.

## E. Throttle Control

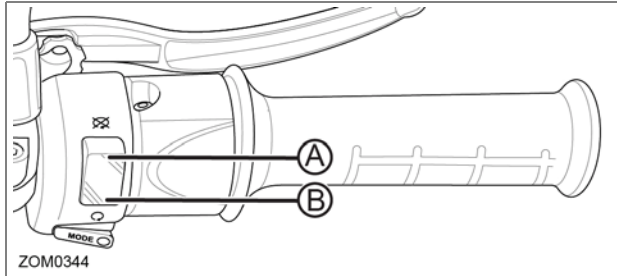
Twist the throttle in a counter-clockwise rotation (A) to energize the motor and start the motorcycle in a forward direction. Release the throttle and it snaps back to the closed position (B), de-energizing the motor, and regenerative braking begins.

When the motorcycle is moving and the throttle control is in the fully closed position, the regenerative braking feature activates. Regenerative braking takes some of the energy from the moving motorcycle and turns it back into electrical energy. This energy is then stored in the power pack, contributing to increased energy efficiency. A slight drag is felt when the regenerative braking is activated. If you want to coast without the regenerative braking, hold the throttle just off of the fully closed position.



## F. Motor Stop Switch

When the top of the switch (A) is pressed, it cuts off power to the run signal. The motor controller remains in this state until the bottom portion of the switch (B) is pressed. The switch does not turn off all electrical circuits, just the operation of the motor.



## G. Performance Level Mode Button

See *“Performance Level Mode Button”*, on page 3.21.

## H. Hazard Warning Flasher Switch

When the top of the switch is pressed, the turn signals flash to warn other drivers of situations, which include needing to stop or park under emergency conditions. When the bottom of the switch is pressed, the hazard warning circuit will turn off.

## I. Turn Signal Switch



When the turn signal switch is pushed in the left or right position, the corresponding front and rear turn signals flash. When the turn signal switch is ON, the corresponding turn signal indicator on the lower dash illuminates.

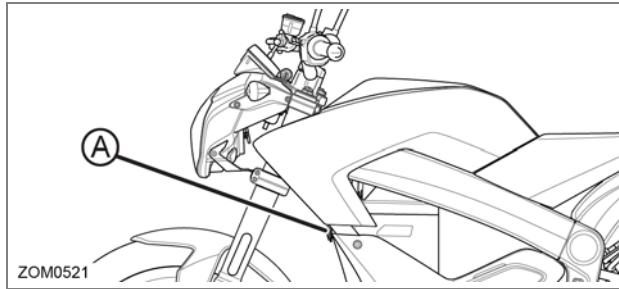
Always signal your turns and other maneuvers as required by law. Unlike an automobile, the turn signals must always be canceled manually on the motorcycle. Push in on the switch and it will return to the OFF position (center).

# Controls and Components

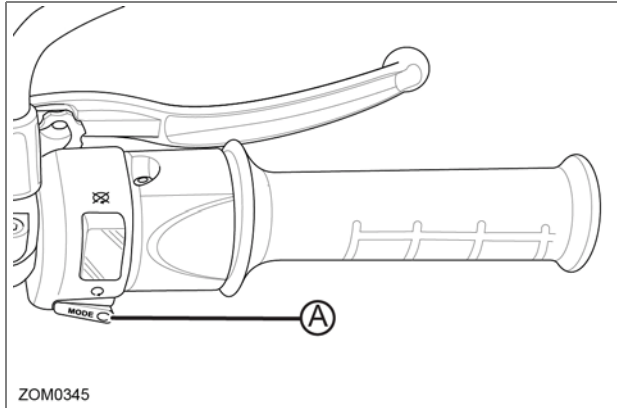
---

## J. Horn Button

When the key is in the ON position, the horn (A) sounds when the button is pressed. Electric vehicles run quietly; the horn can be used to warn pedestrians or other motorists of your presence.



## Performance Level Mode Button



The performance level mode button (A) toggles between **ECO**, **SPORT**, and **CUSTOM** modes. You can switch between performance modes while riding, but the change will not be executed until the throttle is returned to the closed position.

The **ECO** selection reduces the acceleration and top speed of the motorcycle but increases the amount of regeneration when the throttle is released. It is an ideal mode for when you want softer acceleration. This position is also good for newer riders and for extending range.

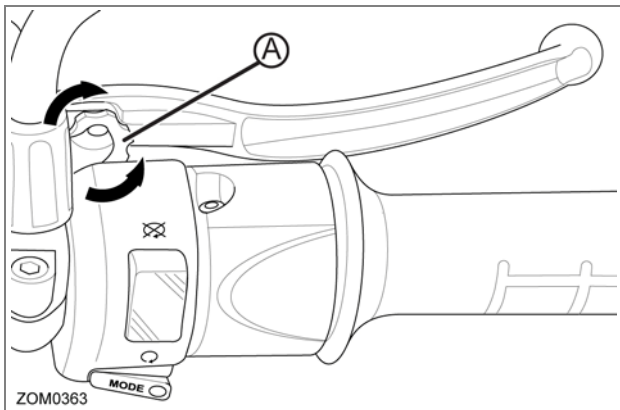
The **SPORT** selection causes the motorcycle to accelerate at a significantly faster rate but decreases the amount of regeneration when the throttle is released. This position is recommended for advanced riders.

The **CUSTOM** selection has customizable performance settings by using the smartphone application (refer to *“Smartphone Application”, on page 3.16*).

Those who take advantage of the **ECO** position are likely to see a slight increase in range and experience greater regenerative braking.

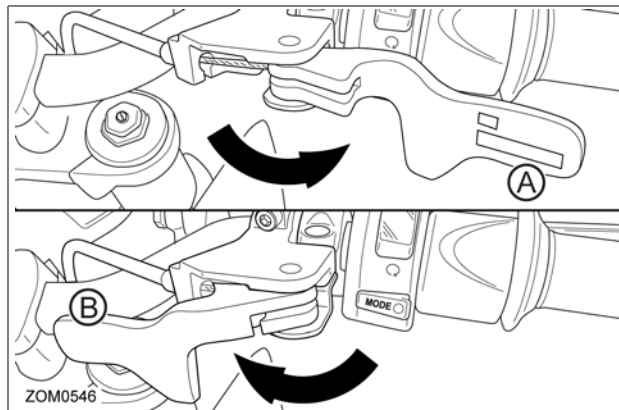
# Controls and Components

## Front Brake Lever Adjuster



The position of the front brake lever can be adjusted by turning the adjustment knob (A) located on the master cylinder assembly. Turning the knob clockwise or counter-clockwise will adjust the distance between the lever and the throttle control.

## Parking Brake Operation (if equipped)



Your Zero Motorcycle may be equipped with a parking brake system. When applied, the parking brake will prevent your motorcycle from rolling forward or backward.

### A. Parking Brake ON

Parking brake lever pointing away from the motorcycle.

### B. Parking Brake OFF

Parking brake lever pointing toward the center of the motorcycle.

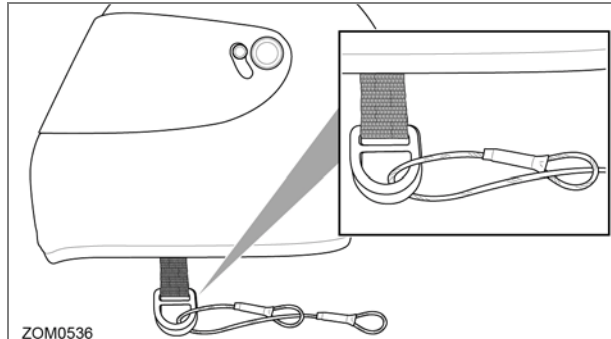
## Tank Storage Compartment

Unless other optional equipment is specified on your Zero Motorcycle, a lockable tank storage compartment will be installed as standard. The storage compartment lid can be locked/unlocked using the ignition key.

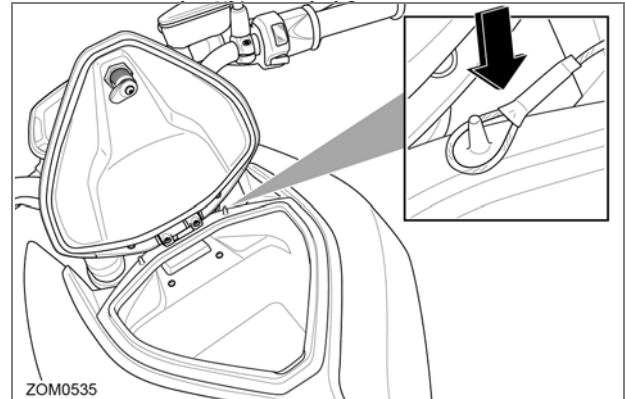
Located under the edge of the compartment lid are two studs, which can be used to secure the supplied helmet leash cable.

### Using the helmet leash cable

1. Open tank storage compartment lid.
2. Thread leash through chin strap buckles.
3. Thread leash through second leash eye.



4. Place leash eye over tank storage compartment stud.
5. Close tank storage compartment lid and lock with key.
6. Place helmet securely on tank storage compartment lid.

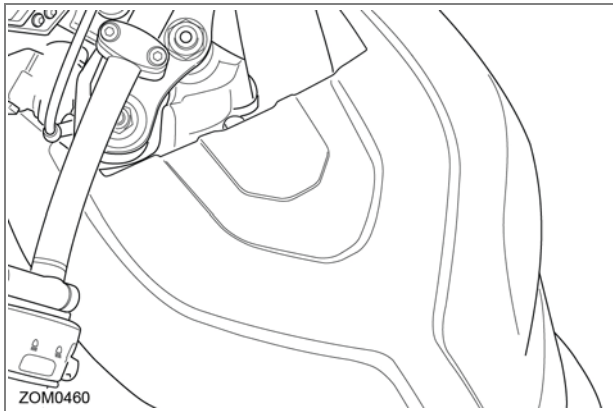


# Controls and Components

---

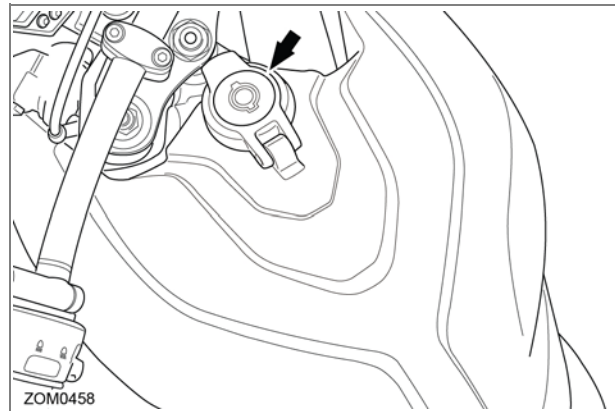
## Power Tank (if equipped)

Your Zero Motorcycle may be equipped with an optional Power Tank installed in place of the tank storage compartment. The Power Tank's power pack increases the battery capacity of the motorcycle, which increases the riding range and charge time.



## Charge Tank (if equipped)

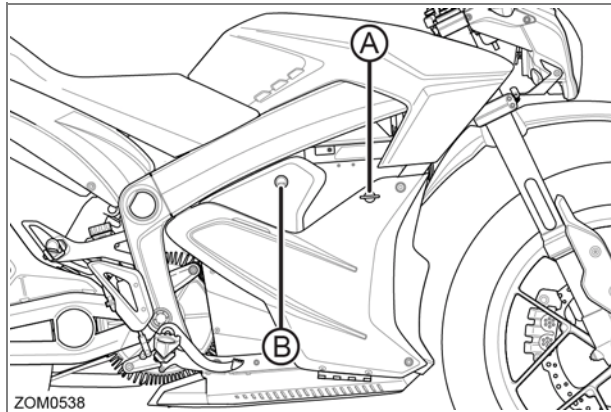
Your Zero Motorcycle may be equipped with the accessory Charge Tank installed in place of the tank storage compartment. The Charge Tank has a J1772 charge connector, allowing the motorcycle to be charged at public charging stations which use the popular J1772/IEC 62196 standard. For use and more information, see [\*"Charge Tank \(if equipped\)"\*](#), on page 5.9.



## Side Storage Compartment (if equipped)

Depending on the specification of your Zero Motorcycle, it may be equipped with a side storage compartment. To access the side storage compartment:

1. Turn knob (A) clockwise and pivot hinged side panel down.
2. Unlock and open side storage door by inserting the ignition key into lock (B) and turning it clockwise.



**WARNING!** Always make sure that the storage compartment is locked and the side panel is securely fastened before riding. An incorrectly fastened side panel could become loose while riding, impeding your operation of the motorcycle and potentially cause an accident.



## General Operation

This section describes several items you should examine before operation.

### Pre-Ride Inspection

Before operating your Zero Motorcycle, check the following to make sure the motorcycle is secure and intact:

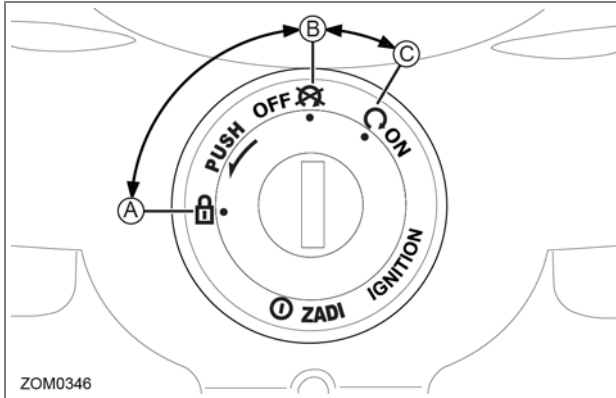
- **Power Pack.** Make sure the charge indicator on the lower dash is indicating a charged power pack. We suggest you recharge before use. Always keep the charger cord with the motorcycle.
- **Drive Belt.** Check the belt tension and condition. Adjust if necessary. See *“Drive Belt”, on page 6.17.*
- **Brakes.** Squeeze the brake lever and press the brake pedal individually while pushing the motorcycle to see if it rolls. You should be able to lock-up the wheels completely by applying the brakes.
- **Throttle.** With the key switch in the OFF position, apply the throttle and release to verify that the throttle is smooth and returns correctly.
- **Tires.** Check both tires for condition and tread depth. Check cold tire pressure frequently. Check for damage and alignment. Maintain correct tire pressure as specified on *page 6.16*. Replace the tires when the tread height is 0.08 in (2 mm) or less.

**WARNING!** Under-inflation is a common cause of tire failure and may result in severe tire cracking, tread separation, “blowout,” or unexpected loss of motorcycle control causing serious injury or death. Inspect tires regularly to ensure proper inflation levels.

- **Electrical System.** Check for correct function of the headlight, turn signals, and the brake/tail lights.
- **Protective Covers.** Confirm protective covers for power pack diagnostic connector, Quick Charge connector, and on-board charging connector are installed correctly.

# General Operation

## Key Switch/Steering Lock Positions



This is a three-position switch that is located on the fork in front of the handlebar. The switch positions are as follows:

- Steering Lock (A)
- OFF (B)
- ON (C)

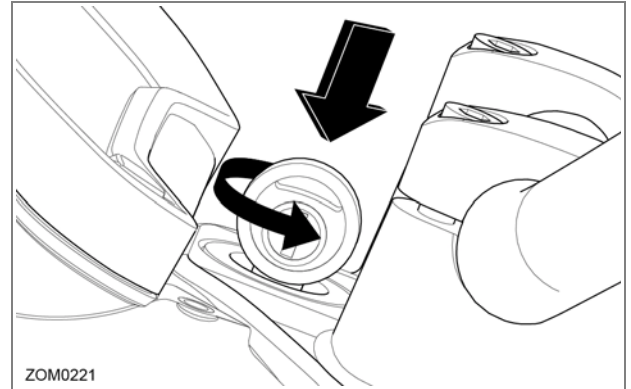
The key should be removed from the motorcycle when parked to prevent theft. The key can be removed in either the OFF or steering lock position.

## Steering Lock

Using the steering lock when parked prevents unauthorized use and helps prevent theft.

To operate the steering lock:

1. Turn the handlebar all the way to the left.
2. With the key in the OFF position, push the key down and turn the key counter-clockwise.
3. Remove the key.



To unlock the steering lock:

1. Install the key and turn clockwise.
2. Remove the key.

## **OFF Position**

This position is used to turn the motorcycle OFF, disabling the electrical system.

## **ON Position**

This position is used for operating the motorcycle. In this position the following sequence occurs:

- Lights turn ON
- Dash display turns ON

## **Motorcycle Tip-Over Sensor**

Your motorcycle has a tip-over sensor that will disable the motorcycle's drive mode in the event it is activated. If your motorcycle's tip-over sensor is activated:

- The motorcycle drive mode will be disabled while tipped-over.
- The motorcycle can't be driven or charged while in a tipped-over state.
- Upright the motorcycle and perform one full key cycle (turn the key to the OFF position, wait for the display to go blank and then turn the key back to the ON position) to reset the sensor.

*Note: Altering the factory suspension or changing the location of the MBB (Main Bike Board) may cause either detection of a false tip-over state or disable the detection in the case of an actual tip-over.*

# General Operation

---

## Operating Your Motorcycle

This section describes how to safely operate your motorcycle.

### Starting

1. Turn the key switch to the ON position.
2. Verify that the charge indicator reads fully charged.
3. Press the motor stop switch to the ON position.
4. With the kickstand up, twist the throttle toward you (counter-clockwise) to increase speed. When the throttle is twisted away from you (clockwise), the speed decreases.

### Braking

On the right handlebar is the hand operated brake lever. The brake lever controls the front brake when the lever is squeezed. On the right lower side, next to the foot peg, is the foot operated brake pedal. This pedal controls the rear brake.

When braking, the throttle should be in the closed position.

**WARNING!** If ABS is disabled or inoperable and you apply the front or rear brake hard enough, it is possible to lock the wheels. This could cause you to lose control of the motorcycle and could lead to serious injury or death.

Progressive use of the brakes should bring the motorcycle to a complete stop without locking the wheels. Your Zero

Motorcycle is a light- weight performance product and therefore practice is strongly recommended to perfect safe emergency stops.

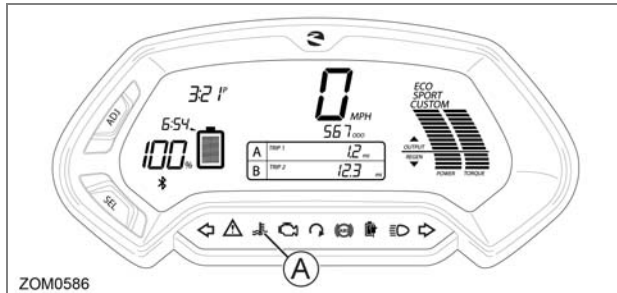
### Stopping Your Motorcycle

To stop your motorcycle:

1. With the throttle in the closed position press the motor stop switch to the OFF position. This switch can also be used in an emergency to shut the motor off.
2. Turn the key switch to the OFF position and remove the key. To prevent theft, the key should be removed anytime the motorcycle is left unattended.

## Temperature Indicator

Zero Motorcycles has developed the most advanced passively air-cooled electric powertrain for your Zero Motorcycle, delivering an unsurpassed level of simplicity, power/energy density, low weight and ease of maintenance. However, this passively air-cooled powertrain cannot be operated indefinitely at high power / high rpm without reaching its thermal limitations. Hence, your Zero Motorcycle has a sophisticated thermal management strategy to ensure the long term performance and durability of its powertrain.



The red temperature indicator light (A) on the lower dash has two informational stages.

- Stage 1, is presented by flashing this indicator and advises you that the bike is about to enter its thermal strategy. To avoid encountering an enforced power

reduction, you can choose to slow down a bit until the indicator stops flashing.

- Stage 2, if temperature continues to build, the indicator light will go solid, letting you know that the thermal strategy is now being applied and that your motorcycle's power will be reduced accordingly. If you encounter the strategy while trying to maintain a high vehicle speed, the effect of the strategy will be that your motorcycle will be gradually slowed down to the point that the top speed of the bike is "sustainable," from a thermal standpoint. If you encounter the strategy due to a different sustained high power event, such as continued powering through a low traction surface, power will simply be reduced to ensure the continued safe operation of your powertrain.

Please note that the lighting of this temperature indicator does not indicate that there's anything malfunctioning with your Zero Motorcycle; it is simply letting you know that the thermal strategy is working. If you do not moderate your speed/power, the bike's system will reduce your speed/power until your Zero can maintain its maximum allowable thermal state; but no harm whatsoever will result from this, since this is exactly how the strategy is meant to function.

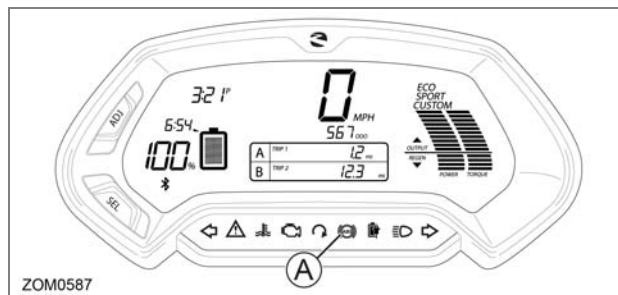
# General Operation

## ABS (Anti-lock Braking System)

**WARNING!** ABS prevents the wheels from locking, therefore maximizing the effectiveness of the braking system in emergencies and when riding on slippery surfaces. The potentially shorter braking distances ABS allows under certain conditions are not a substitute for good riding practices.

**WARNING!** Always ride within the legal speed limit.

**WARNING!** Carefully ride your motorcycle around corners. If applying the motorcycle's brakes while cornering, the ABS cannot counteract the weight transfer and force. Doing so, can create unsafe riding conditions. Some riding conditions and environments may reduce the effectiveness of the ABS and require stopping distances equivalent to those of a motorcycle without ABS.



When the motorcycle is stationary and the key is turned to the ON position, it is normal for the ABS warning indicator (A) on the dash to illuminate. The indicator will remain on until the system detects the motorcycle's speed exceeds 3 mph (5 km/h), after which will stay off until the key is turned to the off position and back to the ON position.

*Note: The ABS light can illuminate if there is a large difference in wheel speed between the front and rear (wheelies, burnouts, or loose gravel). If this happens, the ABS system will be inactive and can allow the wheels to lock under heavy braking. To reactivate the ABS, bring the motorcycle to a complete stop, then turn the key to the OFF position, wait for approximately 5 seconds, then turn it back to the ON position. The ABS light should extinguish once both wheels reach 3 mph (5 km/h) and be fully functional.*

## Disabling the ABS

**WARNING!** When the ABS is disabled, the motorcycle will operate as a non-ABS equipped motorcycle, potentially with increased stopping distance and unpredictable brake control.

To disable the ABS (starting with the motorcycle at rest on a level and stable surface and the ignition key in OFF position):

1. Place kickstand in the down position.
2. Put the Motor Stop Switch in the OFF position.
3. Turn the ignition key to the ON position.
4. Press and hold the **ADJ** button (on dash) and the **MODE** button (on right handlebar) simultaneously. After 4 seconds, the ABS light will begin to flash slowly (approximately every 1.2 seconds). Release both buttons.

*Note: The ABS light will continue to flash (approximately every 1.2 seconds) until the key is cycled off and back to the ON position.*

To reactivate the ABS (starting with the motorcycle at rest on a level and stable surface and the ignition key in OFF position):

1. Disconnect external charge cables.
2. Wait for the dash display to turn off completely.
3. Turn the ignition key to the ON position.

4. Resume normal operation.

## ABS Warning Indicator

When the motorcycle is stationary and the key turned to the ON position, it is normal for the ABS warning indicator on the dash to illuminate. The indicator will remain on until the system detects the motorcycle's speed exceeds 3 mph (5 km/h), after which it will stay off until the key is cycled off and back to the ON position.

*Note: Both the front and rear wheel speed sensors must detect speeds exceeding 3 mph (5 km/h) simultaneously in order for the ABS system and its indicator to operate properly.*

If the ABS warning indicator is illuminated outside of its normal operating parameters:

- The ABS has been disabled by the rider.
- The ABS has a malfunction and requires attention and/or service.

**WARNING!** If the ABS indicator light remains illuminated after your motorcycle exceeds 3 mph (5 km/h), ABS is not active and there is a fault with the ABS system. If an ABS system fault exists, take your motorcycle to an authorized dealer at your earliest convenience to have the ABS system repaired. If there are no dealers in your area, call Zero Motorcycles Customer Service. See [“Customer Assistance”](#), on page 9.10.

## General Operation

---

**WARNING!** The ABS computer compares the relative speed of the front and rear wheels. Using tires other than those specified by Zero Motorcycles can adversely affect the ABS functionality and stopping distance of your motorcycle.

**WARNING!** If the ABS warning indicator is illuminated when traveling at speeds exceeding 3 mph (5 km/h), the ABS is not functioning. When the ABS system is not functioning, your motorcycle will operate as a non-ABS equipped motorcycle with increased stopping distance and unpredictable brake control.

**WARNING!** If the front and rear wheel speeds vary in speed significantly, such as during a burnout, wheelie, or off road riding, the ABS indicator will illuminate and disable ABS.

*Note: To reactivate the ABS, bring the motorcycle to a complete stop, then turn the key to the OFF position, wait for approximately 5 seconds, then turn it back to the ON position. The ABS light should extinguish once both wheels reach 3 mph (5 km/h) and be fully functional.*

## Front Suspension Adjustment

A shock has two main actions: compression when the shock gets loaded, and rebound when the shock returns back to full length. Compression damping is the adjustment that determines how fast or slow the fork compresses. Rebound damping is the adjustment that determines how fast or slow the fork rebounds.

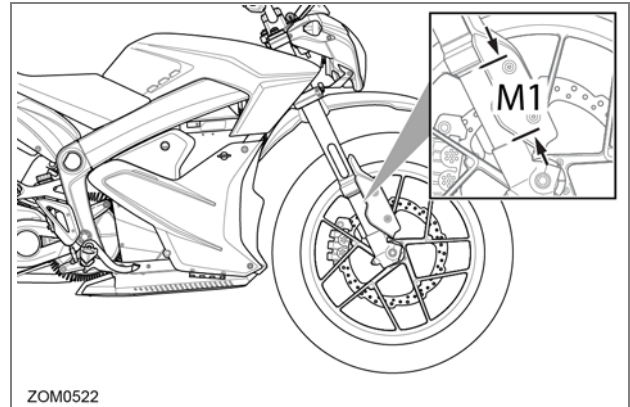
### Measuring Preload

Obtaining the correct front suspension preload (sag) is critical for proper handling. The spring preload must be set to match the weight of the rider. The spring is preloaded for a 180 lbs (82 kg) rider. This puts the front tire 1/3 of the way through its vertical travel. Heavier riders require stiffer spring rates. A good approximation of your front springs requirements can be found by measuring the front suspension's sag. This measurement quickly determines if your front springs are approximately correct for your weight. This adjustment is a recommended guideline; personal riding preference may vary from the specifications given.

### To Check the Sag Value:

1. Support your motorcycle upright on a stand with the front wheel off the ground.
2. Measure vertically from the bottom of the fork tube to the bottom of the tube's dust seal.

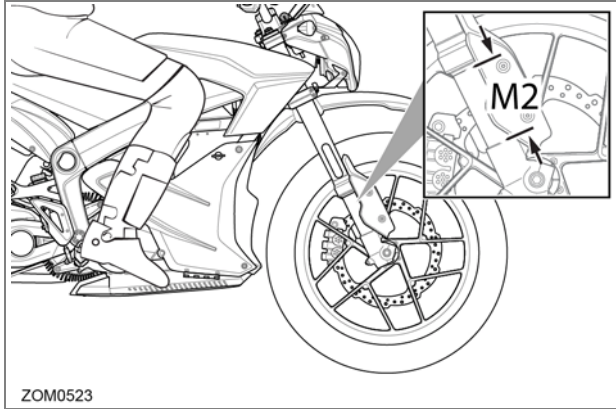
3. Record this measurement (this is the measurement referred to as **M1**).



4. Remove the motorcycle from the stand.
5. Wearing your normal riding apparel, sit on the motorcycle.
6. Have an assistant hold the motorcycle upright, your feet should be on both pegs.
7. Bounce the suspension a couple of times.
8. Have a second assistant take a measurement using the same locations as in step 2.

# General Operation

9. Record this measurement (this is the measurement referred to as **M2**).



10. Subtract the second measurement (**M2**) from the first measurement (**M1**).

Example:

Measurement	Operator	Value
M1		4.13 in (105 mm)
M2	-	2.36 in (60 mm)
Sag	=	1.77 in (45 mm)

The total sag is 1.77 in (45 mm). Refer to the chart below for the correct sag. If the sag is not correct, the spring preload should be adjusted.

MODEL	SAG
S & SR	1.77 in (45 mm)
DS & DSR	2.32 in (59 mm)

## Spring Preload Adjustment

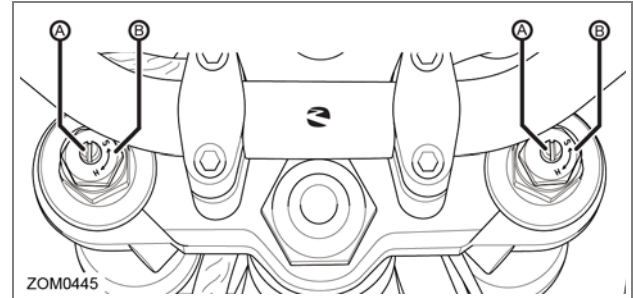
The spring preload is adjusted by turning the 19 mm anodized hex nut (B) located on top of the fork spring.

*Note: When adjusting preload, always start from the minimum setting and adjust each fork leg evenly.*

- Turning the adjustment nut clockwise increases the spring preload and reduces sag of the front suspension.
- Turning the adjustment nut counter-clockwise decreases the spring preload and increases sag of the front suspension.

## Rebound Damping

The rebound damping is adjusted by turning the slotted adjuster screw (A) on the top of both fork legs. Next to the screw are the letters “H” meaning *Hard* (**MAX**, which is for slower rebound) and “S” meaning *Soft* (**MIN**, which is for faster rebound). This determines how quick the fork returns to its extended position after being compressed.



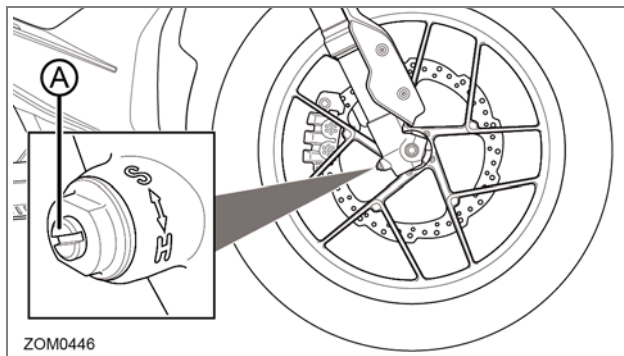
- Turning the rebound adjuster screw clockwise slows the rebound speed down making it better for larger rolling terrain or bumps.
- Turning the rebound adjuster screw counter-clockwise increases the rebound speed making it better for smaller more frequent bumps. Adjust each fork leg equally.

**CAUTION:** Adjusters should never be forced completely “Soft” or “Hard”; always leave one click of adjustment in either direction.

# General Operation

## Compression Damping

The compression damping is adjusted by turning a screw on the bottom of each fork leg. Next to the screw are the letters “H” meaning *Hard* (**MAX**, which is for slower compression) and “S” meaning *Soft* (**MIN**, which is for faster compression).



- Turn the adjuster screw (A) clockwise for slower compression.
- To speed up compression, turn the adjuster screw counter-clockwise.

Start with a middle setting and fine tune the compression from there. Proper compression allows the tire to track the ground over consecutive bumps. Compression that is set too slow will pack-up (feel harsh over consecutive bumps), while compression that is set too fast will cause the fork to bottom out harshly. If the fork is bottoming out, turn the adjuster one click at a time until the bottom-out stops. Adjust each fork leg evenly.

*Note: Adjusters should never be forced completely “Soft” or “Hard”; always leave one click of adjustment in either direction.*

## Factory Supplied Front Suspension Settings

The following information will allow you to adjust the front suspension back to the factory settings the motorcycle was originally supplied with.

### Zero S (ZF7.2)

ADJUSTMENT	SETTING
Front Fork Compression	8 clicks counter-clockwise from maximum (H) position.
Front Fork Rebound	9 clicks counter-clockwise from maximum (H) position
Front Fork Preload	7.5 turns clockwise from the full out position

### Zero S (ZF13.0), Zero S (ZF14.4) & Zero SR (ZF14.4)

ADJUSTMENT	SETTING
Front Fork Compression	6 clicks counter-clockwise from maximum (H) position.
Front Fork Rebound	9 clicks counter-clockwise from maximum (H) position.
Front Fork Preload	7.5 turns clockwise from the full out position

### Zero DS (ZF7.2)

ADJUSTMENT	SETTING
Front Fork Compression	7 clicks counter-clockwise from maximum (H) position.
Front Fork Rebound	12 clicks counter-clockwise from maximum (H) position.
Front Fork Preload	5.5 turns clockwise from the full out position

### Zero DS (ZF13.0), Zero DS (ZF14.4) & Zero DSR (ZF14.4)

ADJUSTMENT	SETTING
Front Fork Compression	6 clicks counter-clockwise from maximum (H) position.
Front Fork Rebound	11 clicks counter-clockwise from maximum (H) position.
Front Fork Preload	7.5 turns clockwise from the full out position

# General Operation

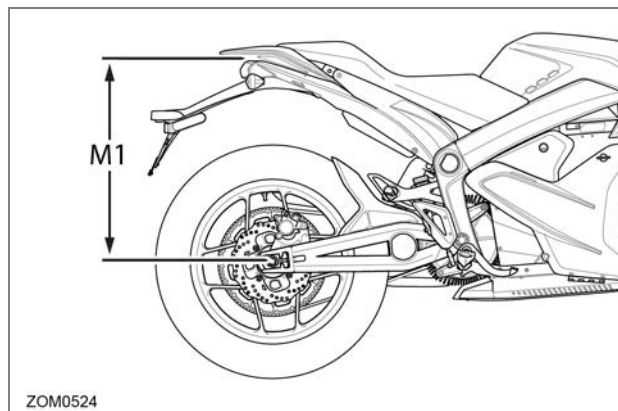
## Rear Shock Adjustment

### Measuring Preload

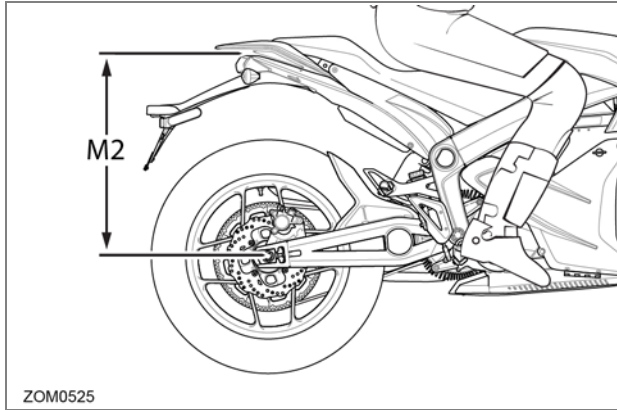
Obtaining the correct rear spring preload (sag) is critical for proper handling. The spring preload must be set to match the weight of the rider. The spring is preloaded for a 180 lb (82 kg) rider. This puts the rear tire 1/3 of the way through its vertical travel. Heavier riders and motorcycles carrying additional cargo or accessories require stiffer spring rates. A good approximation of your rear spring requirements can be found by measuring the rear suspension's sag. This measurement quickly determines if your rear spring is approximately correct for your weight. This adjustment is a recommended guideline; personal riding preference may vary from the specifications given.

### To Check the Sag Value:

1. Support your motorcycle on a stand with the rear wheel off the ground.
2. Measure vertically from the rear axle to the rear fender. Mark this spot as it is used for other measurements.
3. Record this measurement (this is the measurement referred to as **M1**).



4. Remove the motorcycle from the stand.
5. Wearing your normal riding apparel, sit on the motorcycle.
6. Have an assistant hold the motorcycle up, your feet should be on both pegs.
7. Bounce the suspension a couple of times.
8. Have a second assistant take a measurement using the same locations as in step 2.
9. Record this measurement (this is the measurement referred to as **M2**).



10. Subtract the second measurement (**M2**) from the first measurement (**M1**).

Example:

Measurement	Operator	Value
M1		23.62 in (600 mm)
M2	-	21.65 in (550 mm)
Sag	=	1.97 in (50 mm)

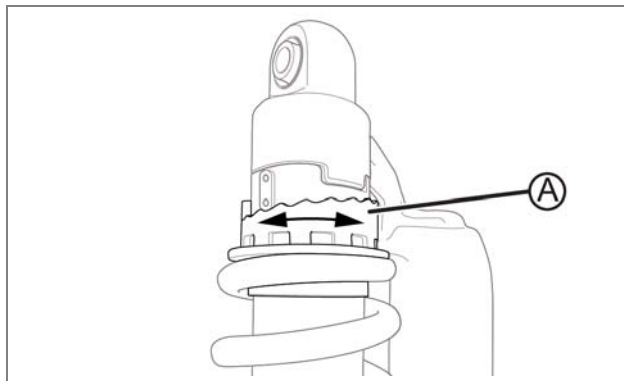
The total sag is 1.97 in (50 mm). Refer to the chart below for the correct sag. If the sag is not correct, the spring preload should be adjusted.

MODEL	SAG
S & SR	1.77 in (45 mm)
DS & DSR	2.36 in (60 mm)

# General Operation

## Spring Preload Adjustment

1. Clean any dirt or debris from the slots of the shock adjusting collar (A).
2. Using an adjusting wrench, turn the adjusting collar (A).
3. For measurements less than the specified value, decrease the preload on the spring by turning the adjustment collar counter-clockwise on the shock. If more than the specified value, increase the preload on the spring by turning the adjustment collar clockwise on the shock.

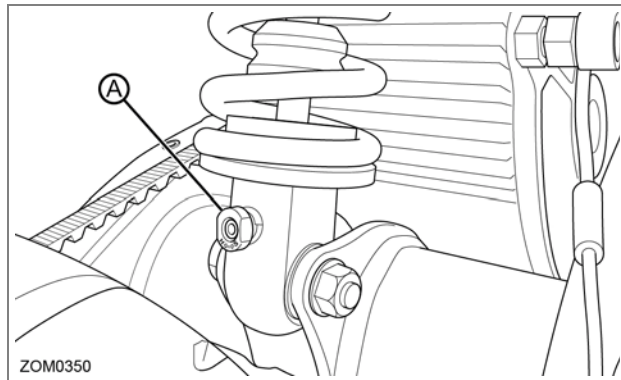


## Rebound Adjustment

The rebound adjuster knob (A) is at the bottom of the shock. Printed on the knob is “H” meaning *Hard* (**MAX**, which is for slower rebound) and “S” meaning *Soft* (**MIN**, which is for faster rebound). The ride quality adjustment knob controls the hardness or softness the ride quality of your motorcycle. Turning the knob clockwise, or H direction, is good for big impacts.

Turning the knob counter-clockwise, or S direction, is good for smaller and more frequent impacts.

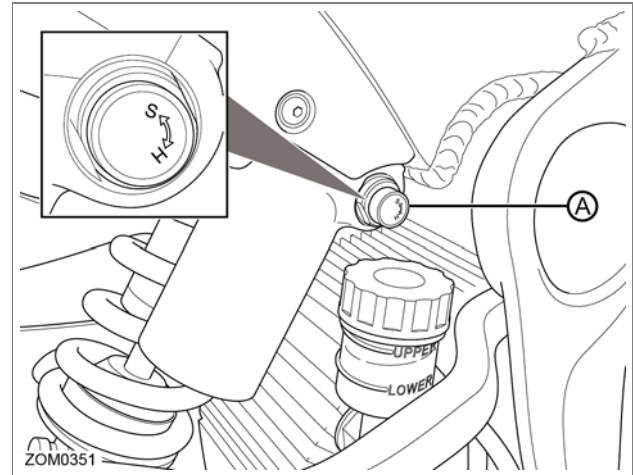
*Note: Adjusters should never be forced completely “Soft” or “Hard”; always leave one click of adjustment in either direction.*



## Compression Adjustment

The compression adjustment knob is at the top of the shock. Printed on the knob is “H” meaning *Hard* (**MAX**, which is for slower compression) and “S” meaning *Soft* (**MIN**, which is for faster compression). Turn the adjuster clockwise for a harder ride (slower compression). For a softer ride (faster compression), turn the adjuster counter-clockwise. Start with a middle setting and fine tune the compression from there. Proper compression allows the tire to track the ground over consecutive bumps. Compression that is set too hard will pack-up (feel harsh over consecutive bumps), while compression that is set too soft causes the shock to bottom out harshly. If the shock is bottoming out, turn the adjuster one click at a time until the bottom out stops.

*Note: Adjusters should never be forced completely “Soft” or “Hard”; always leave one click of adjustment in either direction.*



# General Operation

## Factory Supplied Rear Suspension Settings

The following information will allow you to adjust the rear suspension back to the factory settings the motorcycle was originally supplied with.

### Zero S (ZF7.2)

ADJUSTMENT	SETTING
Rear Shock Compression	14 clicks counter-clockwise from maximum (H) position.
Rear Shock Rebound	9 clicks counter-clockwise from maximum (H) position.
Rear Shock Spring Preload	5th position from minimum unloaded position.

### Zero S (ZF13.0), Zero S (ZF14.4) & Zero SR (ZF14.4)

ADJUSTMENT	SETTING
Rear Shock Compression	12 clicks counter-clockwise from maximum (H) position.
Rear Shock Rebound	6 clicks counter-clockwise from maximum (H) position.
Rear Shock Spring Preload	5th position from minimum unloaded position.

### Zero DS ZF7.2

ADJUSTMENT	SETTING
Rear Shock Compression	10 clicks counter-clockwise from maximum (H) position.
Rear Shock Rebound	12 clicks counter-clockwise from maximum (H) position.
Rear Shock Spring Preload	5th position from minimum unloaded position.

### Zero S (ZF13.0), Zero S (ZF14.4) & Zero DSR ZF14.4

ADJUSTMENT	SETTING
Rear Shock Compression	13 clicks counter-clockwise from maximum (H) position.
Rear Shock Rebound	8 clicks counter-clockwise from maximum (H) position.
Rear Shock Spring Preload	5th position from minimum unloaded position.

## Power Pack

The battery is located within the power pack and requires no special break in period.

The Zero Z-Force® Power Pack™ leverages proven battery cell chemistry, configuration, and enhanced reliability. Not only does the Z-Force® technology enable you to go longer distances (range varies depending on riding type and conditions), it is also designed to last the life of the motorcycle. The integrated on-board charger minimizes charge time and can work in parallel with Zero's quick charge accessories to cut charge times by as much as 75%.

The charging time will remain the same if the on-board charger is connected to a 120 V AC or a 240 V AC supply.

The normal recharging time of the power pack to a 100% state of charge is usually less than 6 hours for the ZF7.2, 9 hours for the ZF13.0, and less than 10 hours for the ZF14.4 in mild ambient temperatures. Out of the normal temperature range, charging and run-time times will vary. The power pack should not be used outside of the range of 23°F to 140°F (-5°C to 60°C); the Battery Management System (BMS) turns off the power controller outside of this range.

*Note: The battery will not charge if below 0°C or 32°F.*

Plug your motorcycle into an AC power source to recharge it after each use. Once recharged, disconnect from the AC power source. Leaving your motorcycle unplugged between charges will maximize the long-term health of the power pack.

While unplugged with the key in the OFF position, the motorcycle's electronics will consume a very small amount of power and the power pack will drain extremely slowly. If you don't ride for an extended period of time (30 days or more), you may want to plug the motorcycle into an AC power source to charge it for a few hours prior to your next ride.

The power pack must be charged within 24 hours if fully discharged. If stored long-term, check the state of charge at least monthly and charge it back up to 60% if it has dropped below 30%. See *"Parking and Long Term Storage"*, on page 6.27 for more information.

# Power Pack and Charging

---

## Battery Management System (BMS)

Every power pack contains a Battery Management System (BMS) which monitors the condition of the cells, and optimizes the charging process to provide the highest performance, longest range, and longest life for the power pack.

The BMS safeguards the power pack by means of safety interlocks. These interlocks turn off or control certain operations that could damage the power pack.

The BMS also monitors the power pack for a host of predefined conditions, and then takes actions according to those conditions.

The BMS is sealed inside the power pack. As a rider, you don't need to think much about the BMS - it just silently does its job as you charge, ride, and store your motorcycle.

## On-Board Power Pack Charger

Connect your power pack to the charger after each use. Once recharged, disconnect from the AC power source. Leaving your motorcycle unplugged between charges will maximize the long-term health of the power pack. You should use the supplied cable as it is designed for use with your motorcycle's electrical components. The power pack must be charged within 24 hours if fully discharged. If you don't ride for an extended period of time (30 days or more), you may want to plug the motorcycle into an AC power source to charge it for a few hours prior to your next ride.

*Note: For motorcycles with a ZF7.2 battery pack, using the On-Board charger in conjunction with the Charge Tank is not supported because it will exceed the max charging rate for the battery pack. A fault code will display on the dash and the motorcycle will not charge at the expected rate.*

**CAUTION:** Only charge the Zero power pack with the Zero charger. The on-board charger is located under the power pack.

When charging the motorcycle's power pack, the charger can be left ON, even after the power pack is fully charged. But unplugging your motorcycle after it is fully charged will maximize long-term power pack health. If left connected, there are two possible cases that can occur:

- When connected to the charger, the power pack will receive a full charge. Once fully charged, the charger will cycle between 90% and 100% state of charge. When the state of charge gets close to 90%, the charger will recharge to 100% and repeat. When fully charged, a green light illuminates on the charger. Should the charger not read that the power pack is full, it continues to attempt to fully charge the power pack. In this event the green light may not illuminate; however, the power pack may be fully charged. To ensure that the power pack is charged, check the charge indicator on the dash display prior to riding.
- If the power pack terminates the charge before the charger reaches the state previously mentioned, then the charger continues to cycle and tops off the power pack until the power pack is removed from the charger, or the charger reaches the complete state previously noted.

# Power Pack and Charging

## Charging the Power Pack

**WARNING!** Always charge the Zero power pack in a location that is well-ventilated and away from combustible materials. If charging your Zero Motorcycle outdoors, avoid charging in the rain.

**WARNING!** Only charge the Zero power pack with the Zero charger or approved Zero accessory chargers. Using unapproved chargers or accessories may lead to cell damage or battery failure.

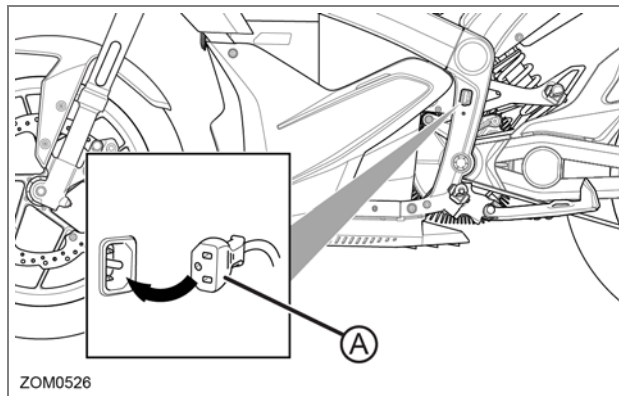
The maximum power pack internal charging temperature is 122°F (50°C). If the power pack's internal temperature is over that, it will not accept a charge until it is cooled below 122°F (50°C). If the power pack has recently been rapidly discharged from aggressive riding, it may internally be above 122°F (50°C), even if the ambient temperature is lower.

If you experience a power pack that will not take a charge, you should ensure the internal temperature is below 122°F (50°C). If the power pack has recently been operating near maximum output and/or in hot conditions it may not take a charge, the power pack should cool off and begin taking a charge in around 30 minutes or less.

The maximum charging temperature cutoff is a power pack longevity feature. Charging at higher temperatures can shorten the life of the power pack.

To charge using the standard on-board charging equipment:

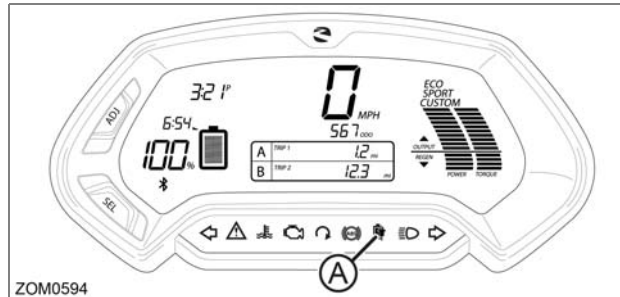
1. Plug the supplied power cord (A) into the on-board charger connector. Always keep the power cord with the motorcycle.



2. Always connect the charger to a GROUNDLED outlet. When using an extension cord, avoid excessive voltage drops by using a grounded, 3-wire, 12-AWG cord no longer than 25 ft (7.6 m). The charger can be used on 120 V AC or 240 V AC current. The voltage does not change the amount of time that the motorcycle takes to charge.

*Note: AVOID connecting the Zero charger and another device to a single 120 V AC 15A/20A circuit, as it may become overloaded. Zero chargers draw as much as 14 amps from the 120 V AC circuit when charging.*

3. The charging icon (A) flashes as the battery is being charged. Once charging is complete, the icon stays illuminated.



4. For charging times, refer to the Technical Specifications section for charging times specific to the model and equipment level of your Zero Motorcycle. See [“Technical Specifications”, on page 8.1.](#)

*Note: The charging icon is solid green when fully charged and plugged into the charger.*

# Power Pack and Charging

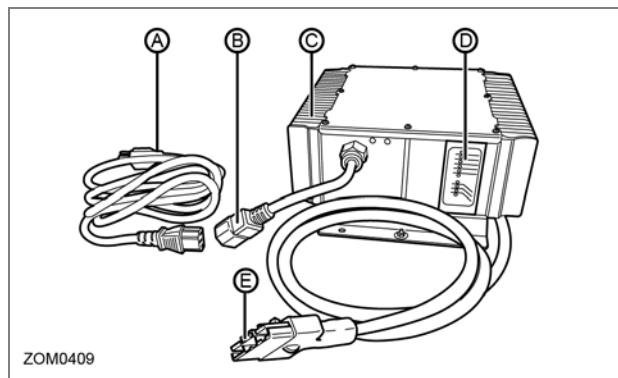
## Quick Charging (Off-Board Accessory Charger)

The “scalable” quick charging feature allows up to four supplemental accessory chargers (in addition to the existing integrated charger) to be connected to the motorcycle. Use of supplemental accessory chargers can reduce the charging time by up to 75%.

*Note: The time for charging the motorcycle using quick charging will vary with the number of chargers used.*

The accessory charging connector is located above the motor. For more information on how to connect additional chargers, refer to the quick charger’s owner’s manual.

**WARNING:** Only use Zero approved accessory chargers. Damage, malfunctions, or performance problems caused by the installation or use of any charger not sold or approved by Zero will void the warranty of your Zero Motorcycle.



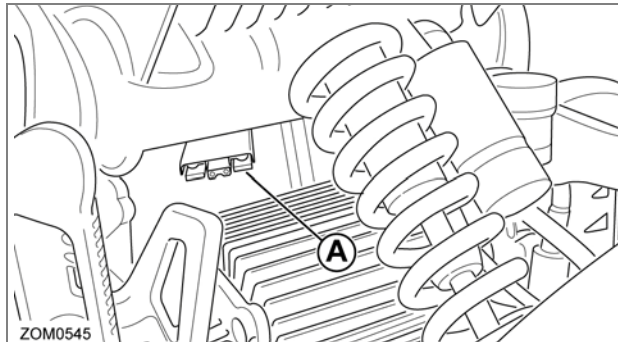
- A. AC Power Cord
- B. AC Power Cord Connection
- C. Power Pack Charger
- D. Charger LED Indicators
- E. Connector (to motorcycle)

## Using the Quick Charger

To charge using a Quick Charger:

*Note: If you connect the on-board charger (see [“Charging the Power Pack”](#), on page 5.4) prior to connecting the Quick Charger, it will start charging without the ON and OFF key cycle (in step 1 and number 7)*

1. Ensure that the key switch is in the ON position.
2. Ensure that the Quick Charger is unplugged and unpowered.
3. Locate the accessory charging connector (A) and remove the protective cover.



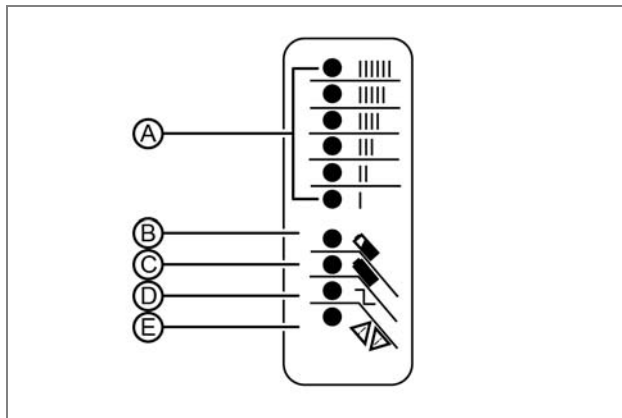
4. Connect the Quick charger to the power pack connector (A). You should hear the contactors close

and the current State of Charge (SOC) should display on the dash.

5. Plug in the AC Power Cord to an AC power outlet. Always connect the charger to a GROUNDED outlet. When using an extension cord, avoid excessive voltage drops by using a grounded, 3-wire, 12-AWG cord no longer than 25 ft (7.6 m). The charger can be used on 120 V AC or 240 V AC current. The voltage does not change the amount of time that the motorcycle takes to charge.
6. Connect the AC Power Cord to the AC Power Cord Connection on the off-board accessory charger. See [“Quick Charging \(Off-Board Accessory Charger\)”](#), on page 5.6.
7. The green charge LED on the dash will begin blinking steadily to indicate charge flow. If the key switch was turned to the ON position, now turn it to the OFF position.
8. When the green charge LED becomes solid or the SOC reads 100%, the battery system is fully charged, disconnect the charger. When the power pack is fully charged, disconnect the charger(s) and reinstall the protective cover in order to reduce water ingress, which can trigger dash warning lights.

# Power Pack and Charging

## Quick Charger LED Indicators



### A. Ammeter

The Ammeter LED is an amber indicator that indicates the amount of current output and should gradually ramp down from “IIIIII” to “I”.

### B. 80% Charge

The 80% Charge LED is an amber indicator. If it is on solid, the bulk charge phase is complete, 80% charged. Charger is now in absorption phase. If the indicator is flashing, there are two issues that can cause this to occur:

- The charger and BMS are balancing.
- The BMS is cutting off the charge because one or more cells have reached maximum voltage.

### C. 100% Charge

The 100% Charge LED is a green indicator. If it is on solid, the charging is complete and the charger will enter maintenance mode. If it is flashing, the absorption phase is complete and the charger is in finish phase.

### D. AC ON

The AC ON LED is an amber indicator. If it is on solid, the AC power is good. If it is flashing, the AC voltage is low. Check for proper voltage, and if an extension cord is being used, verify that it is the correct length. Maximum length is 25 ft. (7.6 m) 12 AWG.

### E. Fault

The Fault LED is a red indicator which indicates there is a charger error. If it is flashing, reset the charger and see [“Troubleshooting”, on page 7.1.](#)

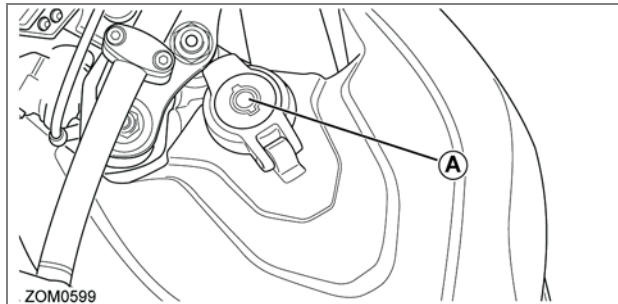
## Charge Tank (if equipped)

The Charge Tank is a quick charging accessory. It reduces the time to fully charge the power pack (compared to the to the Level 1 existing integrated charger) and is designed to work with Level 2 public charging stations operating on the popular J1772/IEC 62196 standard.

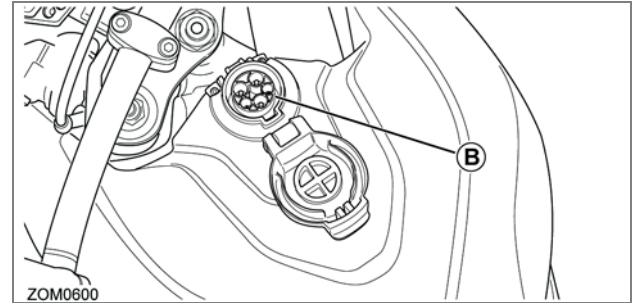
*Note: For motorcycles with a ZF7.2 battery pack, using the On-Board charger in conjunction with the Charge Tank is not supported because it will exceed the max charging rate for the battery pack. A fault code will display on the dash and the motorcycle will not charge at the expected rate.*

## Using the Charge Tank

1. Ensure that the key switch is in the ON position.



2. Open the charging connector protective cover (A).



3. Plug the J1772 charging connector into the Charge Tank charging receptacle (B). Once connected, charging automatically starts.
4. The charging icon on the dash flashes as the battery is being charged. Once charging is complete, the motorcycle will turn off and the icon will not be illuminated. See *"Warning Indicator Lights"*, on page 3.10.
5. Once charging has started, turn the key switch to the OFF position and remove the key.
6. When you're ready to ride, disconnect the charger and reinstall the protective cover.

# Power Pack and Charging

---

## Public Charging Stations

There are more public charging stations coming online every day and there may be some in your area. You can charge from a Level 1 public charging station with your supplied charge cord or from a Level 2 charging station with the optional J1772 Zero Motorcycles charging adapter accessory (Zero PN: 10-03267). These charging stations are often available at a variety of locations including shopping centers, city parking lots, airports, hotels, government offices, and other businesses. We recommend that you search the internet for locations in your area. For example, search for “charging stations.”

*Note: Use of a Level 2 charging adapter accessory cord (Zero PN: 10-03267) doesn't improve charge times unless a supplemental accessory charger is also used.*

*Note: If your Zero Motorcycle is equipped with a Charge Tank, use of a Level 2 charger would greatly improve charge times.*

## Add On Electrical Equipment

**WARNING!** Do not add electrical components to your motorcycle unless they have been approved by Zero. Some add-on electrical components can damage your motorcycle, prevent other components from working as they should, and/or dramatically reduce the range and/or life expectancy of the power pack.

## Owner's Responsibilities

Listed below are the responsibilities afforded to the owner:

- This owner's manual (supplied on a USB flash drive) should be considered a permanent part of this motorcycle and should remain with it even if the motorcycle is subsequently sold.
- Perform routine care and maintenance of your electric motorcycle as detailed in this owner's manual.
- Use only Zero approved parts and Zero Motorcycles accessories.
- The operator is responsible for learning and obeying all country, federal, state, and local laws governing the operations of an electric motorcycle.
- Always wear a regionally approved helmet, goggles, appropriate boots, and all other appropriate safety equipment when operating an electric motorcycle.

# Maintaining Your Motorcycle

---

## Parts/Maintenance Items

The proper replacement parts, fluids, and lubricants to use are listed in the table below.

PART	NUMBER
Headlight Bulb	H4 (55/60 watt)
Turn Signal Light Bulb (amber)	RY10W (10 watt)
Brake/Tail Light Bulb	LED (replace the entire unit)
Front Running Light Bulb	W3W (3 watt)
Brake Fluid	DOT 4

## Service History

Follow the maintenance schedules on [page 6.2](#). After each scheduled service or routine is performed, record the information in the Maintenance Record chapter of this book.

## Scheduled Maintenance

The required maintenance schedule that follows, specifies how often you should have your Zero Motorcycle serviced and what items need attention. It is essential to have your Zero Motorcycle serviced as scheduled to maintain safe, dependable performance.

The service intervals in this maintenance schedule are based on average riding conditions. Some items will need more frequent service if you ride in unusually wet or dusty areas. Consult your dealer for recommendations applicable to your individual needs and use. It is recommended that you have your Zero Motorcycle serviced every 12 months by a Zero Dealer regardless of the distance ridden.

## Maintenance Schedule

The scheduled maintenance must be performed in accordance with this chart to keep the Zero Motorcycle in top running condition. The initial maintenance is vitally important and must not be neglected. Where time and mileage are listed, follow the interval that occurs first.

# Maintaining Your Motorcycle

#	ITEM	ROUTINE	EVERY RIDE	INITIAL	INITIAL	ODOMETER MILEAGE READING			
				600 mi (1K km) or 1 month	4K mi (7K km) or 6 months	8K mi (13K km) or 12 months	12K mi (19K km) or 18 months	16K mi (25K km) or 24 months	20K mi (31K km) or 30 months
1	Brake Fluid (front and rear)	Check brake fluid level. Add brake fluid as necessary.	√	√	√	√	√	√	√
		Replace brake fluid (every 12 months).			√		√		
2	Front Brake	Check operation, and for fluid leakage. Replace brake pads if necessary.	√	√	√	√	√	√	√
3	Rear Brake	Check operation, and for fluid leakage. Replace brake pads if necessary.	√	√	√	√	√	√	√
4	Wheels	Check run-out, and for damage. Replace if necessary.			√	√	√	√	√
5	Tires	- Check tread depth, and for damage. Replace if necessary. - Check air pressure. See <a href="#">page 6.16</a> . Correct if necessary.	√		√	√	√	√	√
6	Wheel Bearings	Check bearings for smooth operation. Replace if necessary.		√	√	√	√	√	√

# Maintaining Your Motorcycle

#	ITEM	ROUTINE	EVERY RIDE	INITIAL	INITIAL	ODOMETER MILEAGE READING			
				600 mi (1K km) or 1 month	4K mi (7K km) or 6 months	8K mi (13K km) or 12 months	12K mi (19K km) or 18 months	16K mi (25K km) or 24 months	20K mi (31K km) or 30 months
7	Drive Belt	- Check belt tension. - Inspect belt for signs of damage or cracking. Replace belt: - Every 24K mi (37K km).	√	√					
8	Steering Bearings	- Check for looseness. - Repack with all-purpose grease.		√	√	√	√	Repack	√
9	Chassis Fasteners	- Check all chassis fasteners and fittings. - Tighten and adjust as needed.			√	√	√	√	√
10	Front Brake Lever Pivot Shaft	- Apply silicon grease lightly. - Check operation. - Service/rebuild if necessary.		√	√	√	√	√	√
11	Front Fork	- Check operation and for oil leakage. - Service/rebuild if necessary.	√		√	√	√	√	√
12	Rear Shock Absorber Assembly	- Check operation and for oil leakage. Replace if necessary.	√		√	√	√	√	√
13	Throttle Grip	- Check operation and free play.	√		√	√	√	√	√

# Maintaining Your Motorcycle

#	ITEM	ROUTINE	EVERY RIDE	INITIAL	INITIAL	ODOMETER MILEAGE READING			
				600 mi (1K km) or 1 month	4K mi (7K km) or 6 months	8K mi (13K km) or 12 months	12K mi (19K km) or 18 months	16K mi (25K km) or 24 months	20K mi (31K km) or 30 months
14	Kickstand Pivots	- Check operation. - Apply silicon grease lightly.			√	√	√	√	√
15	Kickstand Switch	Check operation and replace if necessary.		√	√	√	√	√	√
16	Drive Motor	Commissioning and timing.		√		√		√	

*Note: From 24,000 mi (37,000 km) or 36 months, repeat the maintenance intervals starting from 8,000 mi (13,000 km) or 12 months.*

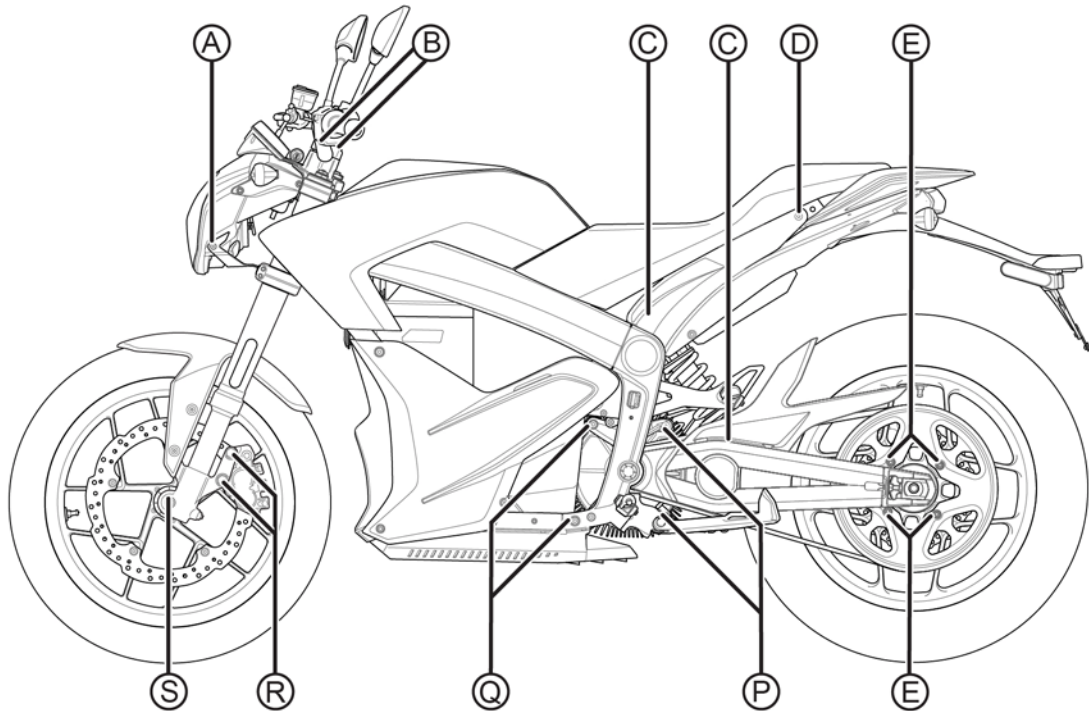
# Maintaining Your Motorcycle

## Component Fasteners

Periodically check and tighten the following fasteners on your motorcycle.

LOCATION	ITEM	TORQUE	NOTES
A	Headlight bolts	8 lb·ft (11 Nm)	Use LOCTITE® 242® (or equivalent)
B	Handlebar clamp mount bolts	19 lb·ft (26 Nm)	-
C	Rear shock mount bolts	40 lb·ft (54 Nm)	-
D	Seat retaining bolts	16 lb·ft (22 Nm)	-
E	Rear sprocket to wheel, 4 bolts	26 lb·ft (35 Nm)	Use LOCTITE® 242® (or equivalent)
F	Rear brake caliper mount bolts	34 lb·ft (46 Nm)	Use LOCTITE® 242® (or equivalent)
G	Controller heat sink to frame bolts (rear)	19 lb·ft (26 Nm)	-
H	Controller heat sink to frame (front)	19 lb·ft (26 Nm)	-
I	Main pivot bolt (swingarm)	75 lb·ft (102 Nm)	-
J	Upper/Lower triple clamps pinch bolts	15 lb·ft (20 Nm) - upper 17 lb·ft (23 Nm) - lower	Use LOCTITE® 242® (or equivalent)
K	Front axle pinch bolts	16 lb·ft (22 Nm)	Use LOCTITE® 242® (or equivalent)
L	Rear brake pedal pivot bolt	34 lb·ft (46 Nm)	Use LOCTITE® 242® (or equivalent)
M	Rear brake master cylinder to frame bolts	9 lb·ft (12 Nm)	Use LOCTITE® 242® (or equivalent)
N	Rear axle slider retaining bolts	19 lb·ft (26 Nm)	
O	Rear axle nut	75 lb·ft (102 Nm)	Use LOCTITE® 242® (or equivalent)
P	Motor mount bolts (left)	26 lb·ft (35 Nm)	-
Q	Motor mount bolts (right)	20 lb·ft (27 Nm)	-
R	Front caliper mount bolts	19 lb·ft (26 Nm)	Use LOCTITE® 242® (or equivalent)
S	Front axle end bolts	40 lb·ft (54 Nm)	Use LOCTITE® anti-seize lubricant (or equivalent)

## Left Side of Motorcycle

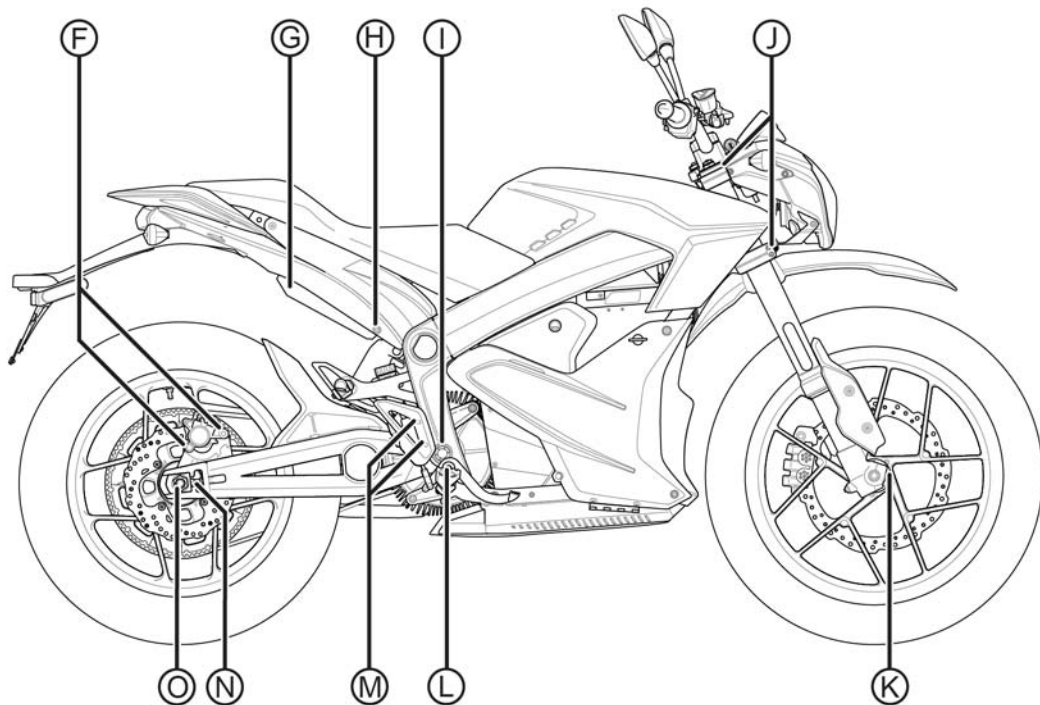


ZOM0527

Refer to Torque table on [page 6.6](#).

# Maintaining Your Motorcycle

## Right Side of Motorcycle



ZOM0528

Refer to Torque table on [page 6.6](#).

## Power Pack

*Note: Never store your motorcycle at a state of charge less than 30%. Leaving the power pack discharged below 30% for a long period of time could damage the power pack and void the warranty.*

Plug your motorcycle into an AC power source to recharge it after each use. Once recharged, disconnect from the AC power source. Leaving your motorcycle unplugged between charges will maximize the long-term health of the power pack.

The power pack must be charged within 24 hours if fully discharged. If stored long-term, check the state of charge at least monthly and charge it back up to 60% if it has dropped below 30%. See *“Parking and Long Term Storage”*, on page 6-27 for more information.

The power pack must be charged within 24 hours if fully discharged.

1. The power pack is a lithium ion power system. While it does require charging, it does not require maintenance.
2. The power pack should be kept away from excessive heat. The lithium ion cells should not get above 160°F (71°C). Do not store in a hot trailer or leave the power pack in direct sunlight.
3. Only an authorized service agent is qualified to have access to the power pack's interior.

4. Dispose of the power pack according to your state and local laws. It is encouraged that the power pack be recycled rather than disposed of in landfills.
5. Please contact Zero at support@zeromotorcycles.com or locate a recycling center in your area.

# General Maintenance

## Brakes

This section describes how to maintain the brake system of your Zero S/SR/DS/DSR motorcycle. It covers the ABS (Anti-lock Brake System), brake pad examples (specific brake pads for front and rear are shown), and maintaining brake fluid levels and types for front and rear systems.

### Bleeding the Brake System

Your motorcycle is equipped with ABS. You can only bleed the brake system if fluid still remains in the HCU (Hydraulic Control Unit).

Bleeding a dry HCU requires an evacuation and fluid fill machine.

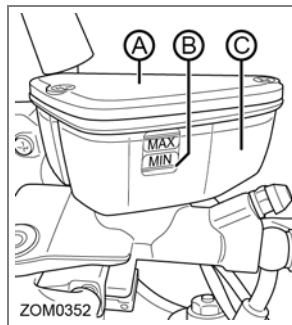
### Brake Fluid Level Inspection

**CAUTION:** Do not spill brake fluid on painted surfaces; the finish could be damaged. Spilling brake fluid on the body panels will cause them to crack.

Always place a shop towel under the master cylinder reservoir prior to removing cover/cap.

Low fluid levels may indicate worn brake pads or a leak in the hydraulic system. Inspect the brake pads for wear and/or the hydraulic system for leaks. Use only new DOT 4 brake fluid from a sealed container.

### Front Brake Fluid Reservoir



Inspect the level of the front brake fluid, visible through the reservoir (C). If the fluid level is visibly below the **MIN** level mark (B), brake fluid must be added. Clean any dirt or debris from the cover (A) before opening the reservoir.

*Note: The motorcycle should be in an upright position prior to checking fluid level.*

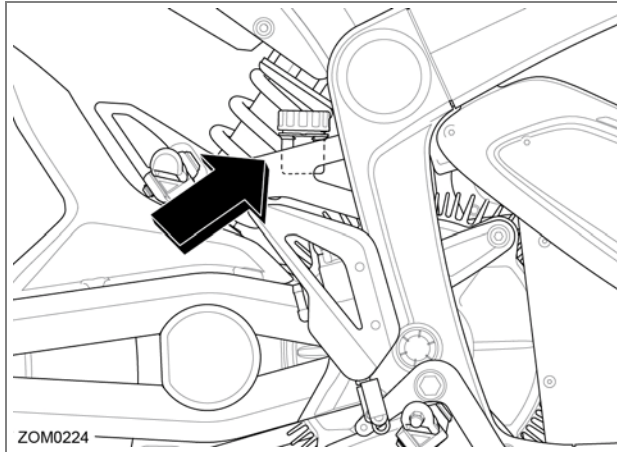
Clean off any brake fluid spills immediately.

1. Remove the two screws securing the cover onto the reservoir.
2. Add new DOT 4 brake fluid.
3. Inspect the cover seal, ensuring that it is free of any wear or damage and that it is positioned correctly.
4. Install the reservoir cover screws. Torque - 0.7 ft lb (0.9 Nm).

## Rear Brake Fluid Reservoir

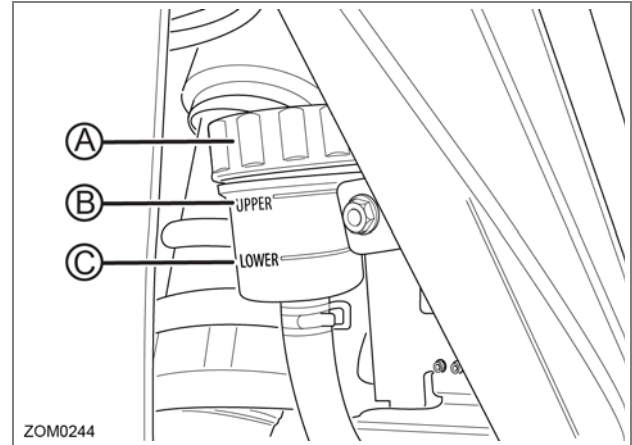
The reservoir is located inboard on the frame behind the heel guard.

*Note: The motorcycle should be in an upright position prior to checking fluid level.*



Inspect the level of the rear brake fluid through the reservoir housing. If the fluid level is visibly below the low minimum **LOWER** indicator (C), brake fluid must be added until level reaches the upper **UPPER** indicator (B). Do not overfill.

Clean any dirt or debris from the cap and reservoir opening (A) before opening the reservoir.

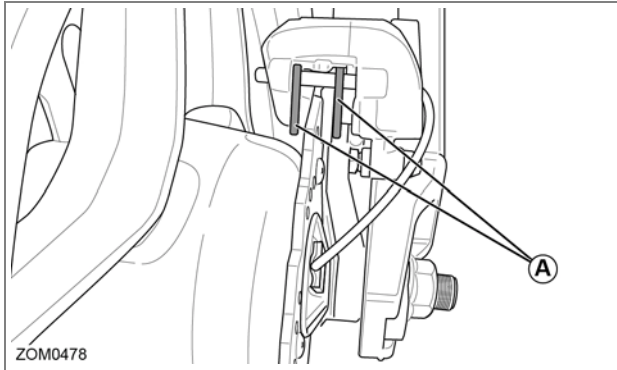


Unscrew the cap and add new DOT 4 brake fluid. Inspect the cap seal ensuring that it is free of any wear or damage then reinstall the cap.

# General Maintenance

## Brake Pad Inspection

The brake pads must be inspected when specified in the maintenance schedule, see [page 6.2](#). Visually inspect the brakes by looking at the remaining brake pad material through the sides of the brake caliper.



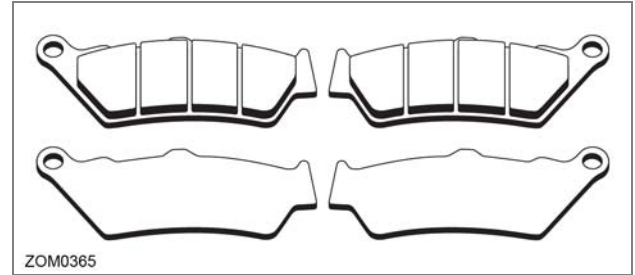
Replace the brake pads if either pad's thickness is 0.053 in (1.35 mm) or less. If the brake pads (A) are worn, replace both brake pads immediately.

## Brake Disc Inspection

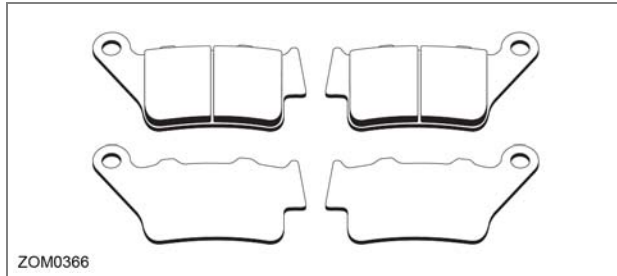
The thickness of the brake discs should be checked regularly. The minimum thickness is 0.14 in (3.50 mm).

## Brake Pad Replacement

Bedding in new brake pads and/or new brake discs is recommended to ensure proper brake performance and maximize brake life. Proper bedding improves brake pedal/lever feel and reduces or eliminates brake squeal. Bedding in the brakes is a process of depositing an even layer of pad material on the surface of the brake disc.



*Front brake pads*



*Rear brake pads*

**WARNING!** With new brake systems or just new pads, the first few braking applications will result in very little braking power. Gently use the brakes a few times at low speeds (less than 25 mph [40 km/h]) to develop proper braking friction.

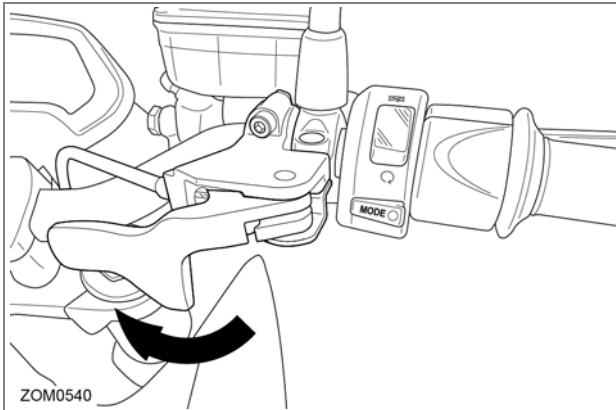
# General Maintenance

## Parking Brake

If your motorcycle is equipped with a parking brake, it should prevent the rear wheel from rolling when the lever (located on the handlebar) is in the ON position. If the rear wheel can roll when the parking brake is applied, it should be adjusted as follows.

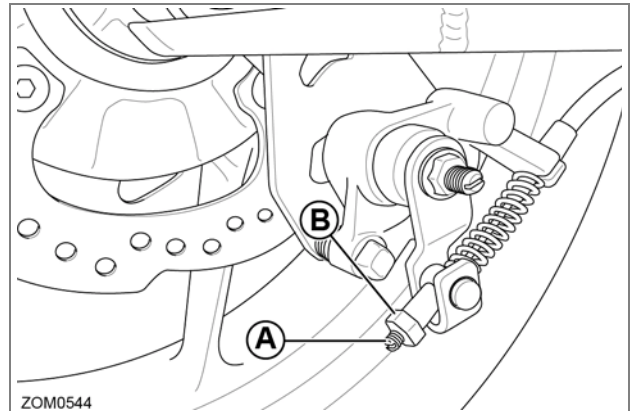
## Parking Brake Adjustment

1. Support your motorcycle on a stand with the rear wheel off the ground.
2. Position parking brake lever in the OFF position.



3. Insert a screwdriver into the slot on the end of the cable (A) to prevent it from rotating.
4. Gradually tighten adjustment nut (B) while rotating the wheel until you can feel drag on the brake rotor.

**CAUTION:** Do not over-tighten the parking brake cable as this can cause premature brake wear.



5. Operate the parking brake lever ON and OFF to check adjustment. With the lever applied, you should not be able to rotate the rear wheel.
6. Re-adjust the parking brake if necessary.
7. Remove your motorcycle from the stand.

## Suspension

### Front

- For maintenance, see Maintenance Schedule on [page 6.2](#).
- To adjust the fork, see Suspension Adjustment on [page 4.9](#).

### Rear

**WARNING!** The shock absorber assembly contains highly pressurized gas.

- Do not attempt to tamper with or open the cylinder or shock.
- Do not subject the shock to high temperature or open flame.

**WARNING!** Doing either of the above actions can cause the cylinder or shock to explode causing personal injury or death.

For maintenance, see Maintenance Schedule on [page 6.2](#).

To adjust the fork, see Suspension Adjustment on [page 4.9](#).

# General Maintenance

---

## Wheels And Tires

Inspect both wheels for the following:

- Bent or cracked rims.
- Impact marks on the rims.

Inspect both tires for the following:

- Cuts, cracks, splits, or missing tread lugs in the tread or sidewall area.
- Bumps or bulges within the tire body.
- Uneven tire tread wear. Wear on one side of the tire tread or flat spots in the tire tread indicate a problem with the tire or motorcycle.
- Exposed tire thread or cords.

If either of the wheels or tires are found to have any of the above conditions, replace the wheel and tire immediately.

## Tire Inflation

**WARNING!** Under-inflation is a common cause of tire failure and may result in severe tire cracking, tread separation, “blowout,” or unexpected loss of motorcycle control, causing serious injury or death.

Tire pressure should be checked and adjusted to the proper inflation levels before each ride. Tire pressure should be checked using an accurate gauge when the tires are cold. This means that the tires have not been ridden on for at least 3 hours. Always replace the valve stem cap when finished adjusting tire pressures.

MODEL	FRONT	REAR
S & SR	221 kPa (32 PSI)	234 kPa (34 PSI)
DS & DSR	221 kPa (32 PSI)	234 kPa (34 PSI)

## Drive Belt

The drive belt provides low maintenance and quiet operation with minimal stretch. Keep dirt, grease, oil, and debris off the belt and sprockets. The drive belt tension should be checked and adjusted at the intervals specified in the Maintenance Schedule. For maintenance information, see the Maintenance Schedule on [page 6.2](#).

Clean the belt with mild soap and water when washing your motorcycle. Towel dry and inspect for the following:

- Cuts or unusual wear patterns.
- Damage to the center of the belt.
- Outside edge beveling. Some beveling is common but it indicates that sprockets are misaligned.
- Outside ribbed surface for signs of stone puncture.
- Inside (tooth portion) of belt for exposed tensile cords normally covered by nylon layer and polyethylene layer. This condition will result in belt failure and indicates worn sprocket teeth.
- Signs of puncture or cracking at the base of the belt teeth.

If any of the above conditions are found, the belt should be replaced.

## Checking Drive Belt Tension

Proper belt tension is essential for optimum operation of the drive system.

Lack of belt tension can lead to “ratcheting.” The teeth of the belt slide over the teeth of the rear sprocket. This causes an unpleasant sound; the ratcheting can also cause damage to the carbon tensile cords. If ratcheting has occurred you should replace the belt before the next time you ride.

Too much tension can increase the wear of your drive system and the system can drag.

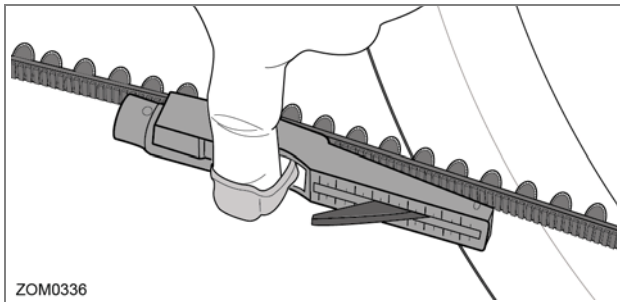
The drive belt tension can be checked by using a Tension Tester or the Gates® Carbon Drive™ Smartphone application.

# General Maintenance

## Drive Belt Tension Tester

The Tension Tester has a plastic measurement arm, located in a slot. Along this slot there is a measuring scale. The point of intersection of the measurement arm and the measuring scale shows the tension of the belt. There is a button (clicking pad) on the upper side of the Tension Tester, where you can secure your finger with a rubber band holder. A spring is located underneath this clicking pad. If a certain pressure is applied to the spring, it makes a clicking sound.

*Note: The rear fender interferes with checking the belt tension using the Tension Tester from the top side. Belt tension can be checked from under the motorcycle without interference.*



1. Remove the key from the ignition switch.
2. Press the Tension Tester steadily to the non-cogged side of the belt, half of the distance between the motor-driven sprocket and rear wheel drive sprocket. The “lip” of the tester will lead the tester on to the belt.
3. Slowly increase the pressure on the tester, until you hear a clicking sound. Do not increase the pressure after the tester has clicked.
4. Remove the tester carefully from the belt. Avoid rough movements of the tester, as this would change the results of the measurement.
5. Adjust drive belt tension if the measurement is outside the recommended range.

Belt Pitch	Recommended Tension Range
11 mm	25 kg to 76.5 kg

## Gates® Carbon Drive™ Smartphone Application



The drive belt tension can be checked by using the Gates® Carbon Drive™ Smartphone application, which measures belt tension frequency.

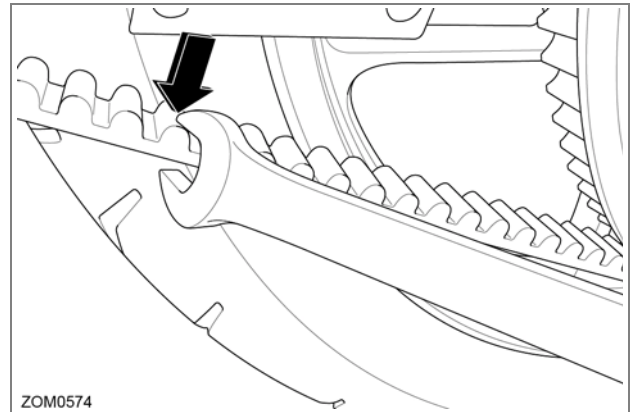
The application is available for free to download at both the Apple iTunes® store and Google Play® store. iTunes® is a registered trademark of Apple. Google Play® store is a registered trademark of Google.

*Note: Perform belt frequency measurement on the lower belt span, close to the center (between the sprockets).*

*Note: The application works best in a quiet environment.*

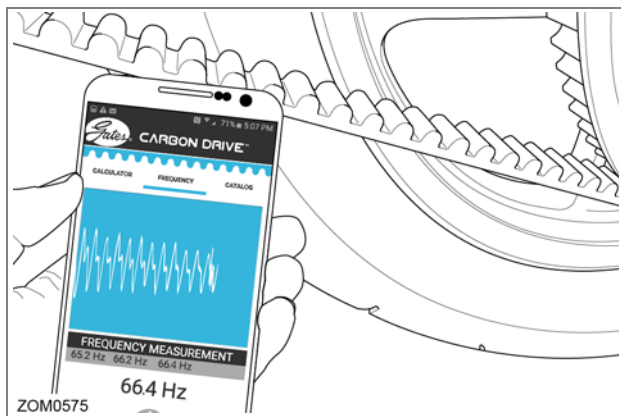
*Note: The following application instructions may differ between phones.*

1. Remove the key from the ignition switch.
2. From the application, click the Tension icon and Measure.
3. Confirm the phone's microphone is ON (if applicable).
4. Hold the phone, so the microphone is as close to the drive belt as possible (without touching the belt).
5. Pluck the belt with your thumb or a wrench (as shown) so that it vibrates like a guitar string.



6. The microphone will measure vibration's frequency.

# General Maintenance



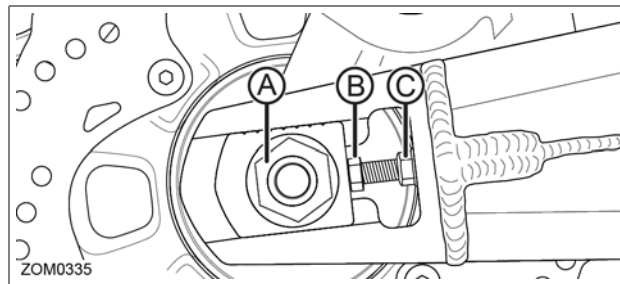
7. Rotate the rear wheel a quarter-turn and repeat the frequency measurement.
8. Compare your belt's frequency readings to the recommended range values below.
9. Adjust drive belt tension if the frequency is outside the recommended range.

Belt Pitch	Recommended Tension Range
11 mm	42.5 Hz to 73.6 Hz

## Drive Belt Adjustment Procedure

*Note: Adjust both sides (left and right) equally.*

1. Remove key from the key switch.
2. Loosen the rear axle nut (A).
3. Loosen the (left and right) 13 mm jam nuts (C).
4. Turn the (left and right) 13 mm adjustment bolts (B) 1/4 turn at a time until the belt adjustment is within specification.

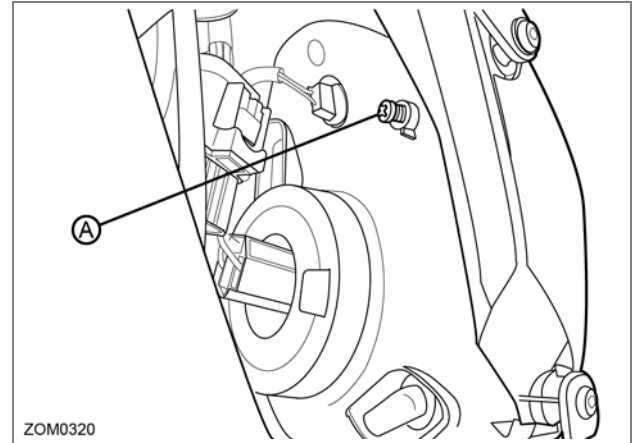


5. Tighten left and right jam nuts (C) to secure the belt.
6. Tighten the axle nut (A).
7. Test ride the motorcycle.
8. Recheck the belt for proper adjustment after the test ride and readjust, if necessary.

## Headlight Alignment

The headlight should be checked for correct alignment periodically. It must be aligned any time the suspension sag is adjusted because this affects the headlight alignment. Before the headlight can be aligned, the suspension sag and tire pressure must be correctly adjusted. The headlight can be adjusted vertically. If the vertical adjustment is off, it causes the beam to point too close to or too far ahead of the motorcycle. With the headlight on the low beam position, the motorcycle perpendicular to the ground, and the operator sitting on the motorcycle, verify the beam alignment. The motorcycle is shipped with the headlight at a 0.5-2.5% dip.

The adjustment screw (A) is located on the back upper right corner of the headlamp. To adjust the headlight, turn the screw until the correct beam alignment is achieved.



# General Maintenance

---

## Headlight Bulb Replacement

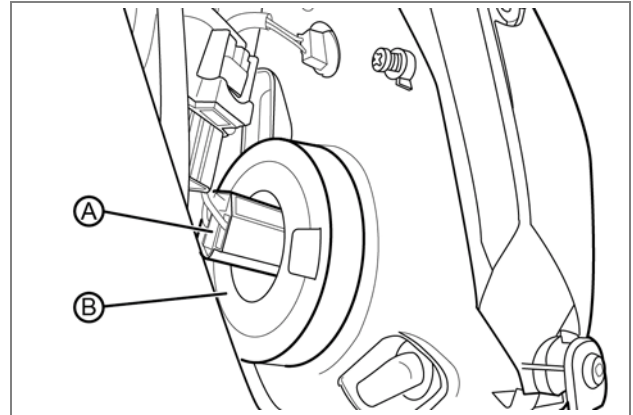
**WARNING!** Halogen bulbs contain gas under pressure. Handling a bulb improperly could cause it to shatter into flying glass fragments, which could result in serious injury. To help avoid injury:

- Turn the key switch OFF and allow the bulb to cool before changing the bulb.
- Leave the key switch OFF until the bulb change is complete.
- Always wear eye protection when changing a halogen bulb.
- Avoid touching the glass.

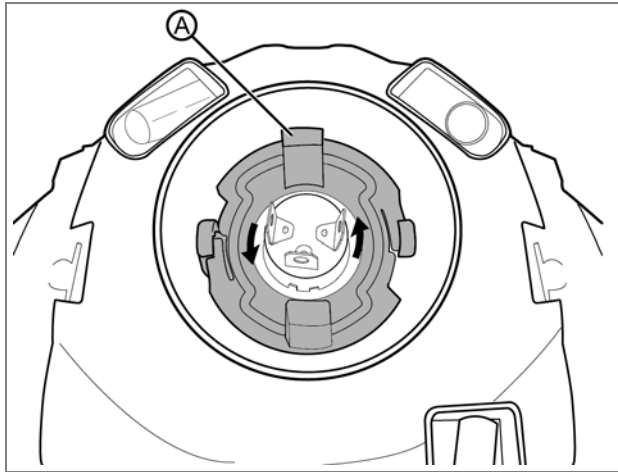
**CAUTION:** Using higher wattage bulbs that specified can/will cause the headlight lens to melt.

To replace the bulb:

1. Working from behind the headlight, disconnect the headlight bulb connector (A) and rubber cover (B).



2. Remove the headlight bulb retainer (A) by turning it counter-clockwise.



3. Remove the headlight bulb by pulling it straight out.

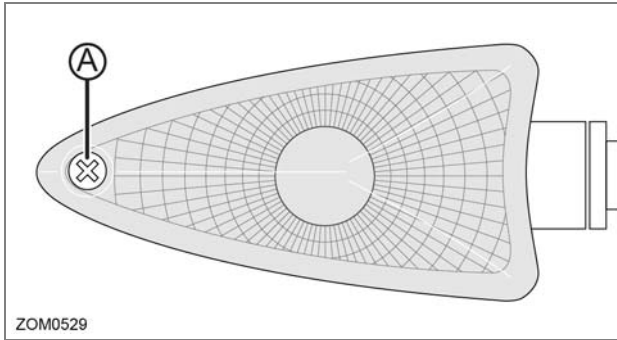
**CAUTION:** Do not touch the glass portion of the headlight bulb. Keep the headlight bulb free of contaminants. Oil from your fingers or contaminants will shorten the life of the bulb. Thoroughly clean any fingerprints or contaminants from the bulb using a clean cloth moistened with alcohol.

4. Install the headlight bulb into the lens.
5. Install the headlight bulb retainer and turn it clockwise until it locks into position.
6. Install the headlight bulb rubber cover.
7. Connect the headlight bulb connector.

# General Maintenance

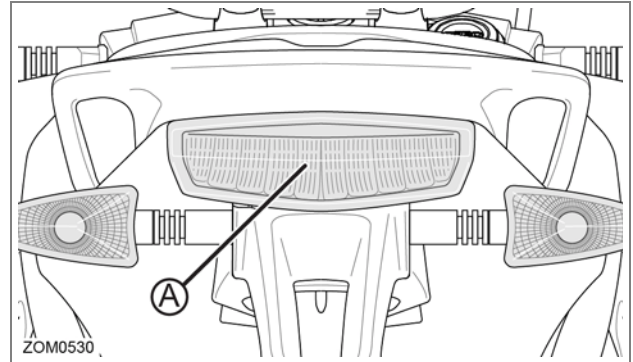
## Turn Signal Light Bulb Replacement

1. Remove the turn signal lens screw (A) and remove the lens.
2. Push in on the bulb, turn the bulb counterclockwise, and then pull the bulb out.
3. Insert the new bulb into the socket, push in and turn clockwise until it stops.
4. Install the lens and screw; tighten the screw. Do not over-tighten the screw.



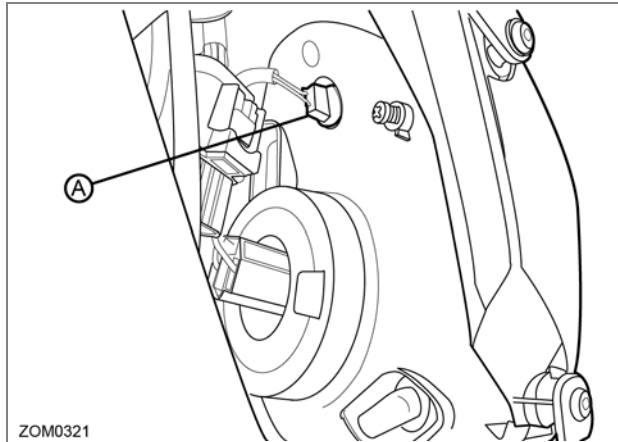
## Brake/Tail LED Replacement

The brake/tail LED (A) is not serviceable. Please contact your Zero Motorcycle dealer for replacement.



## Running Light Bulb Replacement

1. Working from behind the headlight, remove the bulb socket (A) from the headlight by squeezing the metal clip.



2. Pull the old bulb straight out from the socket.
3. Push the new bulb into the socket, and push the socket into the headlight.

# General Maintenance

---

## Cleaning

**CAUTION:** Improper cleaning can damage electrical components, cowlings, panels, and other plastic parts. Do not use high pressure water or steam cleaners; they can cause water intrusion of bearing, seals, and electrical components. Avoid spraying water of great force around the dash unit, quick charge connector, power pack, or controller.

To prolong the life of your motorcycle it should be washed periodically. Regular cleaning is an important factor in maintaining the value of your motorcycle. It also ensures that safety related parts remain in full working order.

If tar, bugs, or other similar deposits have accumulated, clean them off as soon as possible.

**WARNING!** After cleaning and before starting your journey, always test the brakes.

## Washing

**CAUTION:** Do not use any harsh chemical products on plastic parts. Be sure to avoid using cloths or sponges which have been in contact with strong abrasive cleaning products, solvent or thinner, fuel (gasoline), rust removers or inhibitors, brake fluid, antifreeze, or electrolyte.

*Note: We recommend the use of a garden hose to wash your motorcycle. High-pressure washers (like those at coin-operated car washes) can damage certain parts.*

1. Gently wash your motorcycle with a sponge or a clean soft cloth, mild detergent, and plenty of water.
2. Use care when cleaning the plastic parts (dash, fenders, and side panels), which can scratch easier than the other parts of your motorcycle.
3. After washing, rinse your motorcycle thoroughly with plenty of clean water to remove any detergent residue.
4. Dry your motorcycle with a chamois or a soft, dry towel.
5. After cleaning, inspect for damage, wear or leaks.

After washing the motorcycle, allow all of the electrical components to dry prior to operation. If the motorcycle is ridden after being washed, apply both brakes several times in order to remove any moisture from the brake pads.

## Wheels and tires

Avoid using strong acidic wheel cleaners, especially on spoked wheels. If such products are used on hard-to-remove dirt, do not leave the cleaner on the affected area any longer than instructed. Also thoroughly rinse the area off with water, immediately dry it, and then apply a corrosion protection spray.

Do not use products such as tire dressings on tires as this will deteriorate traction.

## Parking and Long Term Storage

- For planned long-term storage (more than 30 days), draining the power pack to a ~60% state of charge (SOC) and leaving the motorcycle unplugged is recommended.
- The power pack will drain extremely slowly over time. Check the SOC at least monthly and charge it back up to 60% if it has dropped below 30%. When you're ready to take your motorcycle out of storage to ride it again, plug it in for at least 24 hours to ensure optimal cell balanced is restored.
- To prolong the life of your power pack you should store your motorcycle in a cool area. Storing your motorcycle in a hot area will cause your power pack's life to be shortened.

For more information on the power pack and the electrical system, see [page 5.1](#).

*Note: Never store your motorcycle at a SOC of less than 30%. Leaving the power pack discharged below 30% for a prolonged period of time could damage the power pack and void its warranty.*

**WARNING!** Opening of the power pack is for trained Zero Motorcycles technicians. Please be aware that incorrect handling of a Zero power pack can be dangerous. DO NOT OPEN!

## Zero Motorcycles Accessories

Zero Motorcycle accessories are designed to complement and function with other systems on your motorcycle. Your dealer can accessorize the motorcycle using genuine Zero accessories.

A full line of parts, accessories, and apparel can be found on the Zero Motorcycles website.

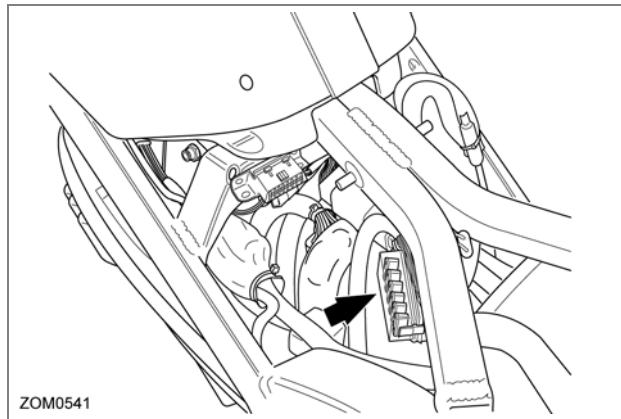
## Fuses

Whenever there is an excessive amount of current flowing through a circuit the fusible element will melt and create an open or incomplete circuit. Fuses are a one-time protection device and must be replaced each time the circuit is overloaded. Replace the fuse with one of equal current and voltage rating. If the fuse melts repeatedly, have the electrical system inspected by your dealer.

# General Maintenance

## 12 Volt Fuse Center

The 12 volt fuse center is located underneath the seat.

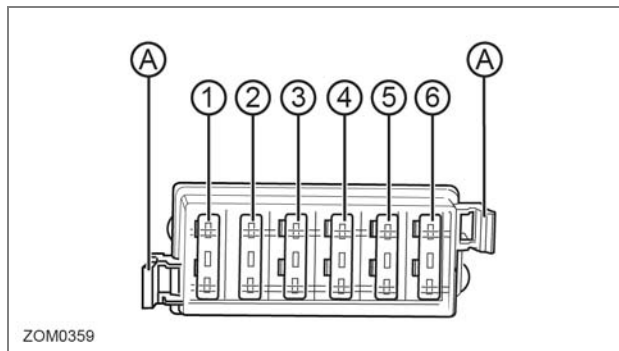


The fuse center (see arrow) has a protective cover that must first be removed to gain access to the fuses. To remove the cover, squeeze the tabs together and pull off the cover.

To access the 12 volt fuse center:

1. Remove two bolts securing the seat to the motorcycle frame. Refer to Component Fasteners, see [page 6.6](#).
2. Pull the seat rearward to gain access to the fuse center.

3. Squeeze the tabs (A) on the fuse center to remove the cover.
4. Replace the fuse(s).

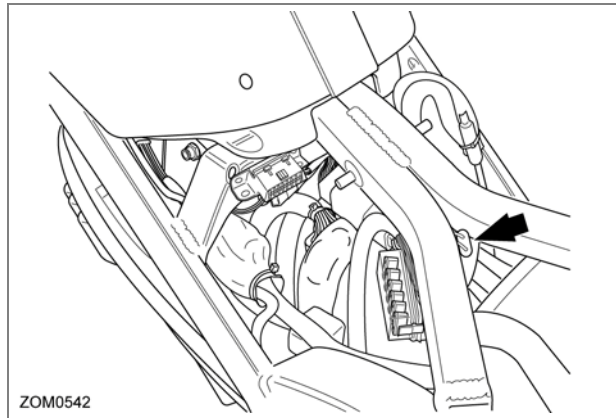


The 12-volt fuse values are listed below:

FUSE	RATING	CIRCUITS CONTROLLED
1	5A	ABS-4 Key
2	10A	ABS-9 Valve
3	10A	Headlight
4	10A	Accessory
5	10A	Flash Lights, Turn Signals, Horn, Brake/Tail Light
6	5A	Dash, Running Lights

## ABS 12 Volt Fuse

The ABS 12 volt fuse is located underneath the seat.

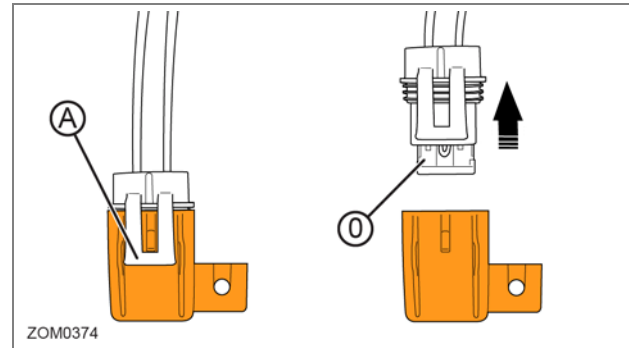


The ABS fuse holder (see arrow) is plugged into a protective red cap. To release the fuse holder from the red cap, gently pull the tab away from the cap and lift fuse holder.

To access the 12 volt ABS fuse:

1. Remove two bolts securing the seat to the motorcycle frame. Refer to Component Fasteners, see [page 6.6](#).
2. Pull the seat rearward to gain access to the fuse.

3. Gently pull the tab (A) away from the red cap to release the fuse holder and pull upwards.
4. Replace the fuse.



The 12-volt fuse value is listed below:

FUSE	RATING	CIRCUITS CONTROLLED
0	25A	ABS-18 Motor

# General Maintenance

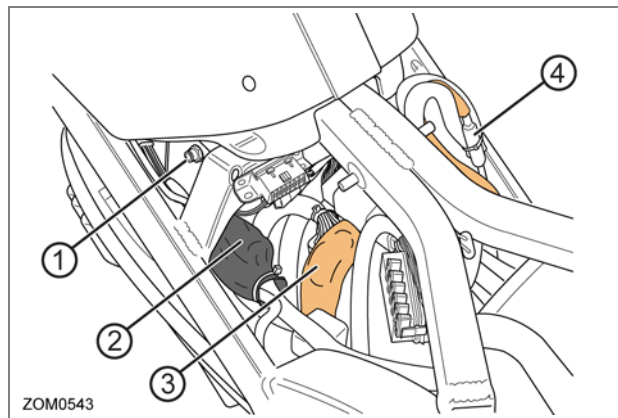
## High Voltage Fuses

The high voltage fuses are located under the seat.

To access the high voltage fuses:

1. Remove the two bolts securing the seat to the motorcycle frame.
2. Pull the seat rearward to gain access to the fuses.
3. Pull back sheathing to access fuse holders (if necessary).
4. Unscrew the fuse's cover (1, 2, and 3).
5. Replace the fuse.

The high voltage fuse values are listed below:

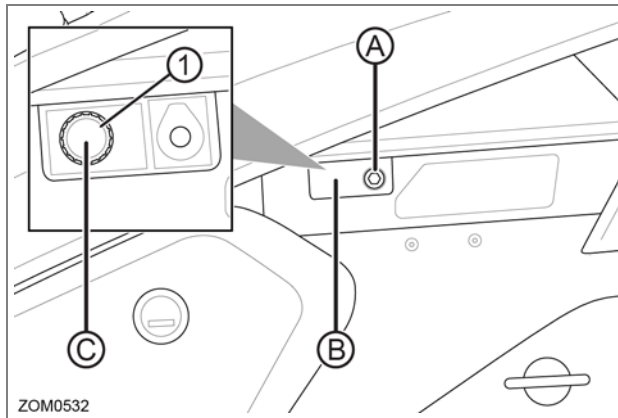


*ZF13.0 & ZF14.4 illustrated. ZF7.2 similar except for fuse 1.*

FUSE	RATING	CIRCUITS CONTROLLED
1	SPT3.15A	Low Power B+
2	ABC 4A	MBB (Main Bike Board)/Controller
3	ABC 4A	DC/DC Converter
4	100A	Charge Fuse (in-line)

*Note: If the charge fuse (4) needs replacement, contact your Zero Motorcycles dealer.*

## Low Power B+ Fuse (ZF7.2)



To access the fuse:

1. Remove bolt (A) securing the fuse cover.
2. Remove cover (B) to gain access to the fuse.
3. Unscrew the fuse cap (C) and withdraw the fuse from the battery.
4. Pull fuse from fuse cap and replace fuse with one of equivalent rating (SPT3.15A)
5. Install fuse and cap.
6. Install cover (B) and secure with bolt (A). Torque - 1 lb·ft (1.3 Nm)



## Electric Motorcycle Precautions

Your Zero Motorcycle has high voltage components. The high voltage used by these components is dangerous and can cause personal injury, severe burns, electric shock and even fatal injury unless appropriate precautions are taken.

Always observe and obey the instructions on labels attached to components on the vehicle - they are there for your safety.

Do not touch, attempt to remove or replace any high voltage parts, wiring (identified by the orange outer sleeving) or connectors. If the motorcycle is involved in an accident do not touch any high voltage wiring connectors or the components connected to the wiring. If a motorcycle fire occurs, extinguish visible flame with a Class D power-type fire extinguisher. After flame has extinguished, douse with a water-based fire extinguisher.

**WARNING!** Your motorcycle uses high voltage. System components can be too hot to touch during and after starting and when the motorcycle is shut off. Be careful of both the high voltage and the high temperature. Obey all labels that are attached to the motorcycle.

**WARNING!** The motorcycle's high voltage system has no user serviceable parts. Disassembling, removing or replacing high voltage components, cables or connectors can cause severe burns or electric shock that may result in serious injury or death. High voltage cables are colored orange for easy

identification (see First Responder Information at the back of this manual).

## Troubleshooting Your Motorcycle

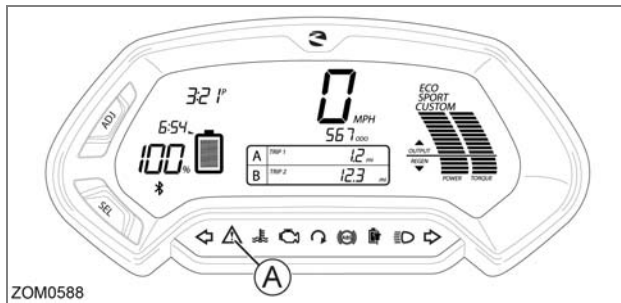
All of the motorcycles are carefully inspected before they are delivered. Even after the motorcycles are inspected, some technical issues can occur. The following information offers a guide to help you to identify an issue, and if possible, repair it yourself. If you are unable to solve an issue with your Zero S/SR/DS/DSR electric motorcycle, take it to an authorized dealer at your convenience. If there is no dealer in your area call Zero Motorcycles Customer Service.

# Troubleshooting











---

## System Warning Indicator












If a fault has been detected, count the number of times the red indicator light (A) flashes (flashing sequence does repeat).



Refer to the table starting on the next page for possible causes and solutions to the issue.

NUMBER OF RED FLASHES		CAUSE	SOLUTION
1		Safety Override is Active (when blinking fast constantly)	
1		BMS Isolation Fault (when blinking fast intermittently)	
1		Charger Not Charging (when accompanied by fast constant blink of the Charge LED or all blinking dash segments)	
1		Motor Stop Switch Disabled or Kickstand Switch Disabled	Motor stop switch is in the OFF position. Press the motor stop switch ON button. Kickstand is down. Raise kickstand.
2		Self-Test Failed	Contact Zero or your dealer.
3		High Throttle Disable	Throttle is ON or throttle/connection is bad. Verify throttle action and/or check connection.
4		Precharge Fail	Could not pre-charge motor controller. Contact Zero or your dealer.
5		Low Power Pack Disable	Charge Power Pack Before Riding.
6		Contactor Error	Contact Zero or your dealer.
7		Charger Problem	Contact Zero or your dealer.

# Troubleshooting

NUMBER OF RED FLASHES		CAUSE	SOLUTION
8		Controller Area Network (CAN) Error	Contact Zero or your dealer.
9		Battery Management System (BMS) Throttle Disable	Contact Zero or your dealer.
10		Module Variance Too High	Contact Zero or your dealer.
11		Battery Temperature Sensor Fault	Motorcycle will run, but needs service. Contact your dealer.
12		Welded Contactor	Contact Zero or your dealer.
13		Motor Controller Error	Motorcycle needs service. Contact Zero or your dealer.
14		Loopback Error	Needs second module, or blanking plug inserted.
15		Battery Management System (BMS) Startup Error	Reset BMS with button. If problem persists contact Zero or your dealer.
16		Battery Management System (BMS) Internal Disable	Cycle Ignition Key <b>OFF</b> and then <b>ON</b> again, or reset BMS with button. If problem persists contact Zero or your dealer.
17		Battery Management System (BMS) Internal Fault	Cycle Ignition Key <b>OFF</b> and then <b>ON</b> again, or reset BMS with button. If problem persists contact Zero or your dealer.
18		Miscellaneous Error	Contact Zero or your dealer.

## Dash Error Codes

If an error code has been recorded, it can be retrieved from the dash Display A. To retrieve the error code, see *Display A* on the [“Displays A&B”, on page 3.13](#).



Refer to the table starting on the next page to identify the error associated with the Error Code number.

# Troubleshooting

CODE	ERROR DESCRIPTION
0	No Error
1	High Throttle
2	Motor Temperature Warning Stage 1
3	Motor Temperature Warning Stage 2
4	Controller Temperature Warning Stage 1
5	Controller Temperature Warning Stage 2
6	BMS Throttle Enable Wire Error
7	Low Battery Voltage
8	High Battery Temperature Status
9	Low Battery Temperature Status
10	Battery Temperature Warning Stage 1
11	Battery Temperature Warning Stage 2
12	Reserve Partition Warning
13	Reserve Switch Warning
14	Safety Override Active
15	Charger Attached But Not Charging
16	CIB Contactor Compromised
17	Charger Error
18	Battery Temperature Sensor Fault
19	High Charge Current
20	BMS Low Isolation
21	Board Vpack Error
22	Board Temperature Error

CODE	ERROR DESCRIPTION
23	Post Error
24	Startup Error
25	Contactor Open Warning
26	Contactor Welded Error
27	Precharge Error
28	BMS Isolation Fault
29	BMS Isolation Danger
30	BMS CAN Error
31	SEVCON CAN Error
32	Module Variance Too High
33	SEVCON Error Turn Off
34	Charge Error Turn Off
35	Loopback Error
36	Board 5V Error
37	Board 3 3V Error
38	Idle Turn Off
39	Throttle Out Of Range Disable
40	BMS Throttle En Wire Disable
41	Low Battery Voltage Disable
42	High Battery Temperature Status Disable
43	Low Battery Temperature Status Disable
44	Kill Switch Disable
45	Kickstand Switch Disable

CODE	ERROR DESCRIPTION
46	BMS Charger Connected Disable
47	MBB Charger Connected Disable
48	SEVCON Startup Disable
49	Contactora Open Disable
50	BMS Self-Test Error
51	BMS Self-Test Warning
52	Reserve Partition Disable
53	BMS Internal Disable
54	Internal Disable Error
55	Internal Fault Error
56	Monolith Not Connected
57	Module Did Not Connect
58	BMS Sensor Warning
59	BMS System Warning
60	Bike Configuration
61	Tipover Detected
62	Target Magnet Warning
63	Target Magnet Disable

*Note: If code 57 is retrieved, your motorcycle may only require recharging.*

# Troubleshooting

---

## General Troubleshooting

SYMPTOM	POTENTIAL CAUSE	POTENTIAL SOLUTION
Motorcycle does not turn on	Power Pack not charged. Key not properly engaged. Motor stop switch turned OFF. Fault code set.	Charge Power Pack. Recheck key in ignition, turn OFF/ON again. Press the motor stop Switch ON button.
Charger not working	A/C power missing. Fault code set.	Check A/C outlet for power, A/C source check fuse/voltage.
Handlebars wobbly (shimmy)	Incorrect tire pressure.	Inflate to correct tire pressure. See <a href="#">page 6.16</a> .
	Deformed front tire.	Replace/balance front tire with the same tire supplied from the factory.
	Bald tire (excess wear).	Replace/balance tire with the same tire supplied from the factory.
	Loose headset bearings.	Inspect the headset for wear or damage, replace any worn or damaged parts. Tighten the headset pre-load.

## Cold and Hot Weather Considerations

### Cold Weather

Cold weather operation of the motorcycle has no permanent impact on its power pack/cells; however, the rider may see a reduction in range due to the effect cold temperature has on the amount of energy the pack/cells can release. The colder the weather, the greater the effect; so that, as compared to operation in 80°F (27°C) ambient, at 30°F (-1°C) ambient, the rider could experience a temporary reduction in range of up to 30%.

In extreme cold weather the motorcycle may also experience a temporary reduction in power and, correspondingly, achieved top speed.

It is not recommended that the motorcycle be ridden while its battery temperature is below 23°F (-5°C). If it is, its battery needs to be put on the charger at a temperature above 32°F (0°C) as soon as the ride is concluded. It is worth noting that the Battery Management System (BMS) will not allow the battery to be discharged below -22°F (-30°C), which is the absolute lowest discharge temperature prescribed by the cell manufacturer.

Storage of the motorcycle for the winter in a non-heated garage is acceptable, as long as:

1. the coldest temperature in the garage does not fall below -31°F (-35°C).
2. the battery is drained to a ~60% state of charge prior to storage and you check its state of charge at least monthly and charge it back up to 60% if it has dropped below 30%.
3. the battery is initially topped off at a temperature above 32°F (0°C).

Storage temperatures below -31°F (-35°C) may result in accelerated permanent decay of the battery performance, and hence it is not recommended. Above this temperature and following the long-term storage guidelines (see *"Parking and Long Term Storage", on page 6.27*) will ensure the battery survives winter storage with no permanent damage, even if the temperatures dip well below freezing for weeks at a time. Note that, while charging, to prevent battery damage, the BMS will prevent the charger from charging the battery at a temperature below 32°F (0°C). Again, as long as the battery was drained to ~60% state of charge and kept above 30% state of charge through the winter at temperatures above -31°F (-35°C), the battery will be safe from damage.

# Troubleshooting

---

## Hot Weather Operation

Operation of the motorcycle in hot temperatures should not result in any noticeable performance changes. However, the BMS will not allow motorcycle operation and its associated battery discharge above 140°F (60°C), as measured at the battery.

In hot temperatures greater than 110°F (43°C), the charger reduces its charge current to the battery, increasing charge time accordingly; the hotter the ambient temperature, the greater the effect. Above a battery temperature of 122°F (50°C), the BMS will no longer allow charging.

*Note: Storing the motorcycle or its battery in direct sunlight in ambient temperatures above 105°F (41°C) may result in accelerated permanent decay of battery performance, and hence it is not recommended.*

## Safety Interlocks

If the BMS detects a serious internal fault, it can take either or both of two actions to prevent damage to the power pack:

- **Throttle Disable.** The BMS disables the throttle if the power pack is empty, or if the BMS detects certain serious internal problems. You cannot ride the motorcycle until the problem is resolved.
- **Charger Disable.** The BMS prevents charging if it detects certain serious internal problems - even if the power pack is connected to a charger and plugged in to AC power. The power pack cannot be charged until the problem is resolved.

## Throttle Disable Interlock

The BMS communicates with the main motorcycle control module. The BMS can send a signal to the main motorcycle controller requesting that the throttle control on the motorcycle be disabled. When the throttle control is disabled, the motor will not deliver power to the rear wheel, and the motorcycle cannot be ridden.

If the throttle is disabled while riding, the motorcycle will cease to provide power, and the operator must pull over to a safe location.

## Charger-Disable Interlock

When the charger is attached and plugged in to AC power, the BMS communicates with the charger. The BMS can send a signal to the charger requesting that charging terminates immediately. When the charger is disabled, the indicator lights on the charger displays that charging has stopped.

There are two conditions that cause the BMS to disable charging:

1. Too hot

The BMS detects an internal power pack temperature above 122°F (50°C).

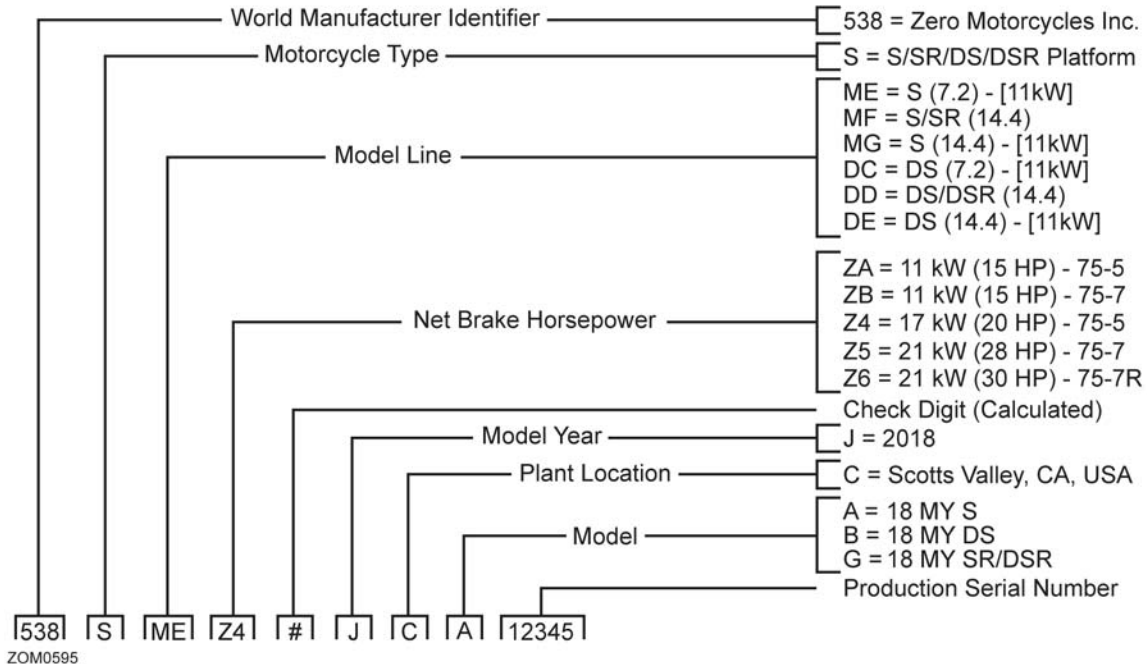
2. Too cold

The BMS detects an internal power pack temperature below 32°F (0°C).



## VIN Breakdown

The following breakdown of the VIN will help you understand the significance of each digit or character in case you need to reference it when contacting Zero or ordering parts.



ZOM0595

# Specifications (Europe)

## Zero S (11kW)

MOTOR	
Type	<ul style="list-style-type: none"><li>ZF7.2: Z-Force® 75-5 passively air-cooled, high-efficiency magnet, brushless motor</li><li>ZF14.4: Z-Force® 75-7 passively air-cooled, high-efficiency magnet, brushless motor</li></ul>
Magnet Configuration	Radial flux interior permanent
Controller	High efficiency, 550 amp, 3-phase brushless controller with regenerative deceleration
Estimated Top Speed (max)	86 mph (139 km/h)
Estimated Top Speed (sustained)	80 mph (129 km/h)
Motor Net Torque (According to UNECE Regulation No. 85)	<ul style="list-style-type: none"><li>ZF7.2: 80 lb-ft (108 Nm)</li><li>ZF14.4: 80 lb-ft (109 Nm)</li></ul>
Motor Net Power (According to UNECE Regulation No. 85)	<ul style="list-style-type: none"><li>ZF7.2: 31 hp (23 kW)</li><li>ZF14.4: 59 hp (44 kW)</li></ul>

POWER SYSTEM	
Type	Z-Force® Li-Ion Intelligent Power Pack
Maximum Capacity	<ul style="list-style-type: none"><li>ZF7.2: 7.2 kWh</li><li>ZF14.4: 14.4 kWh</li></ul>
Nominal Capacity	<ul style="list-style-type: none"><li>ZF7.2: 6.3 kWh</li><li>ZF14.4: 12.6 kWh</li></ul>
Charge Time (standard)	<ul style="list-style-type: none"><li>ZF7.2: 5.2 hours (100% charged) / 4.7 hours (95% charged)</li><li>ZF14.4: 9.8 hours (100% charged) / 9.3 hours (95% charged)</li></ul>
Supplemental Charger Quick Charge Time (with one accessory charger)	<ul style="list-style-type: none"><li>ZF7.2: 3.1 hours (100% charged) / 2.6 hours (95% charged)</li><li>ZF14.4: 5.7 hours (100% charged) / 5.2 hours (95% charged)</li></ul>
Supplemental Charger Quick Charge Time (with max accessory chargers)	<ul style="list-style-type: none"><li>ZF7.2: 1.6 hours (100% charged) / 1.1 hours (95% charged)</li><li>ZF14.4: 3.3 hours (100% charged) / 2.8 hours (95% charged)</li></ul>
Input	Universal 100 - 240 V AC
Charger Type	1.3 kW Integrated
Estimated Power Pack Life to 80% (city)	<ul style="list-style-type: none"><li>ZF7.2: 121,000 miles (195,000 km)</li><li>ZF14.4: 241,000 miles (388,000 km)</li></ul>
RANGE	
According to EU 134/2014 Annex VII	<ul style="list-style-type: none"><li>ZF7.2: 66 miles (107 km)</li><li>ZF14.4: 124 miles (200 km)</li></ul>

# Specifications (Europe)

<b>DRIVETRAIN</b>	
Transmission	Clutchless Direct Drive
Final Drive	<ul style="list-style-type: none"> <li>ZF7.2: 90T/18T, Poly Chain® HTD® Carbon™ belt</li> <li>ZF14.4: 90T/20T, Poly Chain® GT® Carbon™ belt</li> </ul>
<b>CHASSIS/SUSPENSION/BRAKES</b>	
Front Suspension Travel	159 mm
Rear Suspension Travel	161 mm
Front Brakes	Bosch Gen 9 ABS, J-Juan asymmetric dual piston floating caliper, 320 mm OD x 5 mm thick disc
Rear Brakes	Bosch Gen 9 ABS, J-Juan single piston floating caliper, 240 mm OD x 4.5 mm thick disc
Front Tire	Pirelli Diablo Rosso II 110/70-17
Rear Tire	Pirelli Diablo Rosso II 140/70-17
Front Wheel	3.00 x 17
Rear Wheel	3.50 x 17
Front Suspension	Showa 41 mm inverted cartridge forks, with adjustable spring preload, compression, and rebound damping
Rear Suspension	Showa 40 mm piston, piggy-back reservoir shock with adjustable spring preload, compression, and rebound damping

<b>DIMENSION</b>	
Wheel Base	1,410 mm
Seat Height	807 mm
Rake	24.0 degrees
Trail	80 mm
<b>WEIGHT</b>	
Curb Weight	<ul style="list-style-type: none"> <li>ZF7.2: 142 kg</li> <li>ZF14.4: 185 kg</li> </ul>
Carrying capacity	<ul style="list-style-type: none"> <li>ZF7.2: 183 kg</li> <li>ZF14.4: 166 kg</li> </ul>
<b>ECONOMY</b>	
Typical Cost to Recharge	<ul style="list-style-type: none"> <li>ZF7.2: €1.48</li> <li>ZF14.4: €2.96</li> </ul>
Equivalent Fuel Economy, (city)	474 MPGe (0.50 L/100 km)
Equivalent Fuel Economy (highway)	238 MPGe (0.98 L/100 km)

# Specifications (Europe)

## Zero S

<b>MOTOR</b>	
Type	Z-Force® 75-7 passively air-cooled, high-efficiency magnet, brushless motor
Magnet Configuration	Radial flux interior permanent
Controller	High efficiency, 550 amp, 3-phase brushless controller with regenerative deceleration
Estimated Top Speed (max)	95 mph (153 km/h)
Estimated Top Speed (sustained)	85 mph (137 km/h)
Motor Net Torque (According to UNECE Regulation No. 85)	81 lb-ft (110 Nm)
Motor Net Power (According to UNECE Regulation No. 85)	60 hp (45 kW)

<b>POWER SYSTEM</b>	
Type	Z-Force® Li-Ion Intelligent Power Pack
Maximum Capacity	14.4 kWh
Nominal Capacity	12.6 kWh
Charge Time (standard)	9.8 hours (100% charged) / 9.3 hours (95% charged)
Supplemental Charger Quick Charge Time (with one accessory charger)	5.7 hours (100% charged) / 5.2 hours (95% charged)
Supplemental Charger Quick Charge Time (with max accessory chargers)	2.8 hours (100% charged) / 2.3 hours (95% charged)
Input	Universal 100 - 240 V AC
Charger Type	1.3 kW Integrated
Estimated Power Pack Life to 80% (city)	241,000 miles (388,000 km)
<b>RANGE</b>	
According to EU 134/2014 Annex VII	108 miles (174 km)

# Specifications (Europe)

<b>DRIVETRAIN</b>	
Transmission	Clutchless Direct Drive
Final Drive	90T/20T, Poly Chain® GT® Carbon™ belt
<b>CHASSIS/SUSPENSION/BRAKES</b>	
Front Suspension Travel	159 mm
Rear Suspension Travel	161 mm
Front Brakes	Bosch Gen 9 ABS, J-Juan asymmetric dual piston floating caliper, 320 mm OD x 5 mm thick disc
Rear Brakes	Bosch Gen 9 ABS, J-Juan single piston floating caliper, 240 mm OD x 4.5 mm thick disc
Front Tire	Pirelli Diablo Rosso II 110/70-17
Rear Tire	Pirelli Diablo Rosso II 140/70-17
Front Wheel	3.00 x 17
Rear Wheel	3.50 x 17
Front Suspension	Showa 41 mm inverted cartridge forks, with adjustable spring preload, compression, and rebound damping
Rear Suspension	Showa 40 mm piston, piggy-back reservoir shock with adjustable spring preload, compression, and rebound damping

<b>DIMENSION</b>	
Wheel Base	1,410 mm
Seat Height	807 mm
Rake	24.0 degrees
Trail	80 mm
<b>WEIGHT</b>	
Curb Weight	185 kg
Carrying capacity	166 kg
<b>ECONOMY</b>	
Typical Cost to Recharge	€2.96
Equivalent Fuel Economy, (city)	474 MPGe (0.50 L/100 km)
Equivalent Fuel Economy (highway)	238 MPGe (0.98 L/100 km)

# Specifications (Europe)

## Zero SR

<b>MOTOR</b>	
Type	Z-Force® 75-7R passively air-cooled, high-efficiency magnet, brushless motor
Magnet Configuration	Radial flux interior permanent hi-temp
Controller	High efficiency, 775 amp, 3-phase brushless controller with re-generative deceleration
Estimated Top Speed (max)	102 mph (164 km/h)
Estimated Top Speed (sustained)	95 mph (153 km/h)
Motor Net Torque (According to UNECE Regulation No. 85)	108 lb-ft (146 Nm)
Motor Net Power (According to UNECE Regulation No. 85)	69 hp (52 kW)

<b>POWER SYSTEM</b>	
Type	Z-Force® Li-Ion Intelligent Power Pack
Maximum Capacity	14.4 kWh
Nominal Capacity	12.6 kWh
Charge Time (standard)	9.8 hours (100% charged) / 9.3 hours (95% charged)
Supplemental Charger Quick Charge Time (with one accessory charger)	5.7hours (100% charged) / 5.2 hours (95% charged)
Supplemental Charger Quick Charge Time (with max accessory chargers)	2.8 hours (100% charged) / 2.3 hours (95% charged)
Input	Universal 100 - 240 V AC
Charger Type	1.3 kW Integrated
Estimated Power Pack Life to 80% (city)	241,000 miles (388,000 km)
<b>RANGE</b>	
According to EU 134/2014 Annex VII	112 miles (180 km)

# Specifications (Europe)

<b>DRIVETRAIN</b>	
Transmission	Clutchless Direct Drive
Final Drive	90T/20T, Poly Chain® HTD® Carbon™ belt
<b>CHASSIS/SUSPENSION/BRAKES</b>	
Front Suspension Travel	159 mm
Rear Suspension Travel	161 mm
Front Brakes	Bosch Gen 9 ABS, J-Juan asymmetric dual piston floating caliper, 320 mm OD x 5 mm thick disc
Rear Brakes	Bosch Gen 9 ABS, J-Juan single piston floating caliper, 240 mm OD x 4.5 mm thick disc
Front Tire	Pirelli Diablo Rosso II 110/70-17
Rear Tire	Pirelli Diablo Rosso II 140/70-17
Front Wheel	3.00 x17
Rear Wheel	3.50 x17
Front Suspension	Showa 41 mm inverted cartridge forks, with adjustable spring preload, compression, and rebound damping
Rear Suspension	Showa 40 mm piston, piggy-back reservoir shock with adjustable spring preload, compression, and rebound damping

<b>DIMENSION</b>	
Wheel Base	1,410 mm
Seat Height	807 mm
Rake	24.0 degrees
Trail	80 mm
<b>WEIGHT</b>	
Curb Weight	188 kg
Carrying capacity	164 kg
<b>ECONOMY</b>	
Typical Cost to Recharge	€2.96
Equivalent Fuel Economy (city)	474 MPGe (0.50 L/100 km)
Equivalent Fuel Economy (highway)	238 MPGe (0.99 L/100 km)

# Specifications (Europe)

## Zero DS (11kW)

MOTOR	
Type	<ul style="list-style-type: none"> <li>ZF7.2: Z-Force® 75-5 passively air-cooled, high-efficiency magnet, brushless motor</li> <li>ZF14.4: Z-Force® 75-7 passively air-cooled, high-efficiency magnet, brushless motor</li> </ul>
Magnet Configuration	Radial flux interior permanent
Controller	High efficiency, 550 amp, 3-phase brushless controller with regenerative deceleration
Estimated Top Speed (max)	86 mph (139 km/h)
Estimated Top Speed (sustained)	80 mph (129 km/h)
Motor Net Torque (According to UNECE Regulation No. 85)	80 lb-ft (108 Nm)
Motor Net Power (According to UNECE Regulation No. 85)	<ul style="list-style-type: none"> <li>ZF7.2: 31 hp (23 kW)</li> <li>ZF14.4: 59 hp (44 kW)</li> </ul>

POWER SYSTEM	
Type	Z-Force® Li-Ion Intelligent Power Pack
Maximum Capacity	<ul style="list-style-type: none"> <li>ZF7.2: 7.2 kWh</li> <li>ZF14.4: 14.4 kWh</li> </ul>
Nominal Capacity	<ul style="list-style-type: none"> <li>ZF7.2: 6.3 kWh</li> <li>ZF14.4: 12.6 kWh</li> </ul>
Charge Time (standard)	<ul style="list-style-type: none"> <li>ZF7.2: 5.2 hours (100% charged) / 4.7 hours (95% charged)</li> <li>ZF14.4: 9.8 hours (100% charged) / 9.3 hours (95% charged)</li> </ul>
Supplemental Charger Quick Charge Time (with one accessory charger)	<ul style="list-style-type: none"> <li>ZF7.2: 3.1 hours (100% charged) / 2.6 hours (95% charged)</li> <li>ZF14.4: 5.7 hours (100% charged) / 5.2 hours (95% charged)</li> </ul>
Supplemental Charger Quick Charge Time (with max accessory chargers)	<ul style="list-style-type: none"> <li>ZF7.2: 1.6 hours (100% charged) / 1.1 hours (95% charged)</li> <li>ZF14.4: 3.3 hours (100% charged) / 2.8 hours (95% charged)</li> </ul>
Input	Universal 100 - 240 V AC
Charger Type	1.3 kW Integrated
Estimated Power Pack Life to 80% (city)	<ul style="list-style-type: none"> <li>ZF7.2: 110,000 miles (177,000 km)</li> <li>ZF14.4: 220,000 miles (354,000 km)</li> </ul>
Type	Z-Force® Li-Ion Intelligent Power Pack
RANGE	
According to EU 134/2014 Annex VII	<ul style="list-style-type: none"> <li>ZF7.2: 60 miles (96 km)</li> <li>ZF14.4: 119 miles (191 km)</li> </ul>

# Specifications (Europe)

<b>DRIVETRAIN</b>	
Transmission	Clutchless Direct Drive
Drive System (standard)	<ul style="list-style-type: none"> <li>• ZF7.2: 90T / 18T, Poly Chain® HTD® Carbon™ belt</li> <li>• ZF14.4: 90T / 20T, Poly Chain® HTD® Carbon™ belt</li> </ul>
<b>CHASSIS/SUSPENSION/BRAKES</b>	
Front Suspension Travel	178 mm
Rear Suspension Travel	179 mm
Front Brakes	Bosch Gen 9 ABS, J-Juan asymmetric dual piston floating caliper, 320 mm OD x 5 mm thick disc
Rear Brakes	Bosch Gen 9 ABS, J-Juan single piston floating caliper, 240 mm OD x 4.5 mm thick disc
Front Tire	Pirelli MT-60 100/90-19 57H
Rear Tire	Pirelli MT-60 130/80-17 65H
Front Wheel	2.50 x 19
Rear Wheel	3.50 x 17
Front Suspension	Showa 41 mm inverted cartridge forks, with adjustable spring preload, compression, and rebound damping
Rear Suspension	Showa 40 mm piston, piggy-back reservoir shock with adjustable spring preload, compression, and rebound damping

<b>DIMENSION</b>	
Wheel Base	1,427 mm
Seat Height	843 mm
Rake	26.5 degrees
Trail	117 mm
<b>WEIGHT</b>	
Curb Weight	<ul style="list-style-type: none"> <li>• ZF7.2: 144 kg</li> <li>• ZF14.4: 187 kg</li> </ul>
Carrying Capacity	<ul style="list-style-type: none"> <li>• ZF7.2: 189 kg</li> <li>• ZF14.4: 164 kg</li> </ul>
<b>ECONOMY</b>	
Typical Cost to Recharge	<ul style="list-style-type: none"> <li>• ZF7.2: €1.48</li> <li>• ZF14.4: €2.96</li> </ul>
Equivalent Fuel Economy (city)	433 MPGe (0.54 L/100 km)
Equivalent Fuel Economy (highway)	206 MPGe (1.14 L/100 km)

# Specifications (Europe)

## Zero DS

<b>MOTOR</b>	
Type	Z-Force® 75-7 passively air-cooled, high-efficiency magnet, brushless motor
Magnet Configuration	Radial flux interior permanent
Controller	High efficiency, 550 amp, 3-phase brushless controller with regenerative deceleration
Estimated Top Speed (max)	98 mph (158 km/h)
Estimated Top Speed (sustained)	85 mph (137 km/h)
Motor Net Torque (According to UNECE Regulation No. 85)	81 lb-ft (110 Nm)
Motor Net Power (According to UNECE Regulation No. 85)	60 hp (45 kW)

<b>POWER SYSTEM</b>	
Type	Z-Force® Li-Ion Intelligent Power Pack
Maximum Capacity	14.4 kWh
Nominal Capacity	12.6 kWh
Charge Time (standard)	9.8 hours (100% charged) / 9.3 hours (95% charged)
Supplemental Charger Quick Charge Time (with one accessory charger)	5.7 hours (100% charged) / 5.2 hours (95% charged)
Supplemental Charger Quick Charge Time (with max accessory chargers)	2.8 hours (100% charged) / 2.3 hours (95% charged)
Input	Universal 100 - 240 V AC
Charger Type	1.3 kW Integrated
Estimated Power Pack Life to 80% (city)	220,000 miles (354,000 km)
Type	Z-Force® Li-Ion Intelligent Power Pack
<b>RANGE</b>	
According to EU 134/2014 Annex VII	105 miles (169 km)

# Specifications (Europe)

<b>DRIVETRAIN</b>	
Transmission	Clutchless Direct Drive
Drive System (standard)	90T / 20T, Poly Chain® HTD® Carbon™ belt
<b>CHASSIS/SUSPENSION/BRAKES</b>	
Front Suspension Travel	178 mm
Rear Suspension Travel	179 mm
Front Brakes	Bosch Gen 9 ABS, J-Juan asymmetric dual piston floating caliper, 320 mm OD x 5 mm thick disc
Rear Brakes	Bosch Gen 9 ABS, J-Juan single piston floating caliper, 240 mm OD x 4.5 mm thick disc
Front Tire	Pirelli MT-60 100/90-19 57H
Rear Tire	Pirelli MT-60 130/80-17 65H
Front Wheel	2.50 x 19
Rear Wheel	3.50 x 17
Front Suspension	Showa 41 mm inverted cartridge forks, with adjustable spring preload, compression, and rebound damping
Rear Suspension	Showa 40 mm piston, piggy-back reservoir shock with adjustable spring preload, compression, and rebound damping

<b>DIMENSION</b>	
Wheel Base	1,427 mm
Seat Height	843 mm
Rake	26.5 degrees
Trail	117 mm
<b>WEIGHT</b>	
Curb Weight	187 kg
Carrying Capacity	164 kg
<b>ECONOMY</b>	
Typical Cost to Recharge	€2.96
Equivalent Fuel Economy (city)	433 MPGe (0.54 L/100 km)
Equivalent Fuel Economy (highway)	206 MPGe (1.14 L/100 km)

# Specifications (Europe)

## Zero DSR

<b>MOTOR</b>	
Type	Z-Force® 75-7R passively air-cooled, high-efficiency magnet, brushless motor
Magnet Configuration	Radial flux interior permanent hi-temp
Controller	High efficiency, 775 amp, 3-phase brushless controller with re-generative deceleration
Estimated Top Speed (max)	98 mph (158 km/h)
Estimated Top Speed (sustained)	90 mph (145 km/h)
Motor Net Torque (According to UNECE Regulation No. 85)	108 lb-ft (146 Nm)
Motor Net Power (According to UNECE Regulation No. 85)	69 hp (52 kW)

<b>POWER SYSTEM</b>	
Type	Z-Force® Li-Ion Intelligent Power Pack
Maximum Capacity	14.4 kWh
Nominal Capacity	12.6 kWh
Charge Time (standard)	9.8 hours (100% charged) / 9.3 hours (95% charged)
Supplemental Charger Quick Charge Time (with one accessory charger)	5.7 hours (100% charged) / 5.2 hours (95% charged)
Supplemental Charger Quick Charge Time (with max accessory chargers)	2.8 hours (100% charged) / 2.3 hours (95% charged)
Input	Universal 100 - 240 V AC
Charger Type	1.3 kW Integrated
Estimated Power Pack Life to 80% (city)	220,000 miles (354,000 km)
<b>RANGE</b>	
According to EU 134/2014 Annex VII	106 miles (171 km)

# Specifications (Europe)

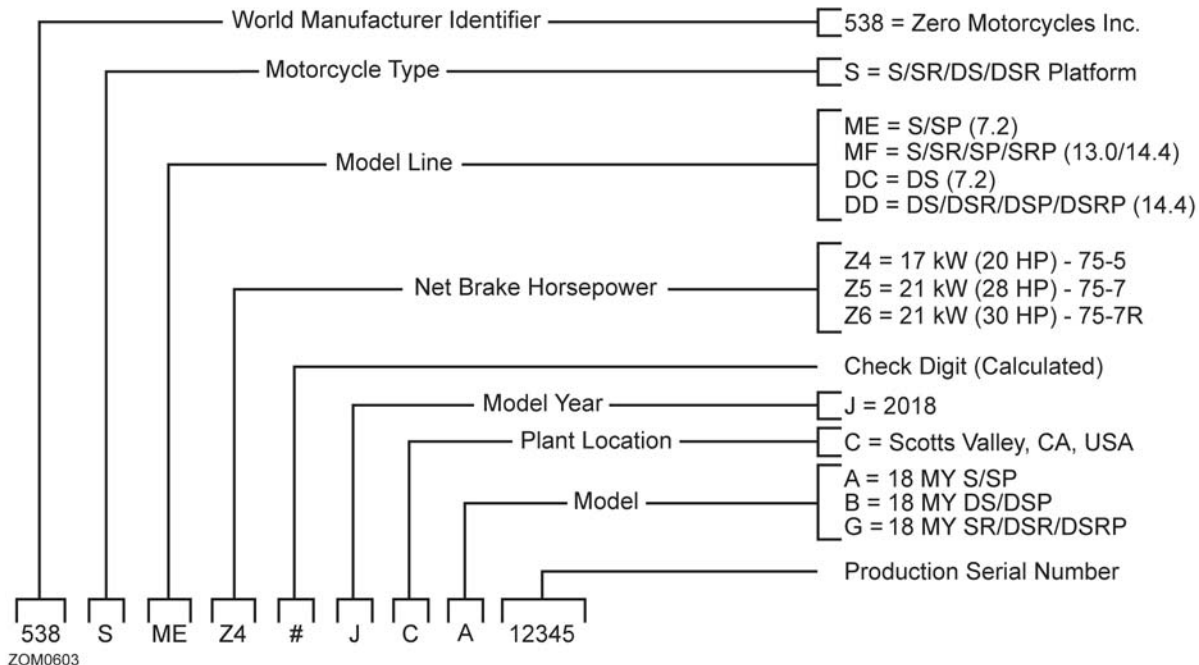
<b>DRIVETRAIN</b>	
Transmission	Clutchless Direct Drive
Final Drive	90T/20T, Poly Chain® HTD® Carbon™ belt
<b>CHASSIS/SUSPENSION/BRAKES</b>	
Front Suspension Travel	178 mm
Rear Suspension Travel	179 mm
Front Brakes	Bosch Gen 9 ABS, J-Juan asymmetric dual piston floating caliper, 320 mm OD x 5 mm thick disc
Rear Brakes	Bosch Gen 9 ABS, J-Juan single piston floating caliper, 240 mm OD x 4.5 mm thick disc
Front Tire	Pirelli MT-60 100/90-19 57H
Rear Tire	Pirelli MT-60 130/80-17 65H
Front Wheel	2.50 x 19
Rear Wheel	3.50 x 17
Front Suspension	Showa 41 mm inverted cartridge forks, with adjustable spring preload, compression, and rebound damping
Rear Suspension	Showa 40 mm piston, piggy-back reservoir shock with adjustable spring preload, compression, and rebound damping

<b>DIMENSION</b>	
Wheel Base	1,427 mm
Seat Height	843 mm
Rake	26.5 degrees
Trail	117 mm
<b>WEIGHT</b>	
Curb Weight	190 kg
Carrying capacity	161 kg
<b>ECONOMY</b>	
Typical Cost to Recharge	€2.96
Equivalent Fuel Economy (city)	433 MPGe (0.54 L/100 km)
Equivalent Fuel Economy (highway)	206 MPGe (1.14 L/100 km)

# Specifications (Rest Of The World)

## VIN Breakdown

The following breakdown of the VIN will help you understand the significance of each digit or character in case you need to reference it when contacting Zero or ordering parts.



# Specifications (Rest Of The World)

## Zero S

MOTOR	
Type	<ul style="list-style-type: none"> <li>ZF7.2: Z-Force® 75-5 passively air-cooled, high-efficiency magnet, brushless motor</li> <li>ZF13.0: Z-Force® 75-7 passively air-cooled, high-efficiency magnet, brushless motor</li> </ul>
Magnet Configuration	Radial flux interior permanent
Controller	High efficiency, 550 amp, 3-phase brushless controller with regenerative deceleration
Estimated Top Speed (max)	<ul style="list-style-type: none"> <li>ZF7.2: 91 mph (146 km/h)</li> <li>ZF13.0: 98 mph (158 km/h)</li> </ul>
Estimated Top Speed (sustained)	<ul style="list-style-type: none"> <li>ZF7.2: 80 mph (129 km/h)</li> <li>ZF13.0: 85 mph (137 km/h)</li> </ul>
POWER SYSTEM	
Type	Z-Force® Li-Ion Intelligent Power Pack
Maximum Capacity	<ul style="list-style-type: none"> <li>ZF7.2: 7.2 kWh</li> <li>ZF13.0: 13.0 kWh</li> </ul>
Nominal Capacity	<ul style="list-style-type: none"> <li>ZF7.2: 6.3 kWh</li> <li>ZF13.0: 11.4 kWh</li> </ul>
Charge Time (standard)	<ul style="list-style-type: none"> <li>ZF7.2: 5.2 hours (100% charged) / 4.7 hours (95% charged)</li> <li>ZF13.0: 8.9 hours (100% charged) / 8.4 hours (95% charged)</li> </ul>

Supplemental Charger Quick Charge Time (with one accessory charger)	<ul style="list-style-type: none"> <li>ZF7.2: 3.1 hours (100% charged) / 2.6 hours (95% charged)</li> <li>ZF13.0: 5.2 hours (100% charged) / 4.7 hours (95% charged)</li> </ul>
Supplemental Charger Quick Charge Time (with max accessory chargers)	<ul style="list-style-type: none"> <li>ZF7.2: 1.6 hours (100% charged) / 1.1 hours (95% charged)</li> <li>ZF13.0: 2.6 hours (100% charged) / 2.1 hours (95% charged)</li> </ul>
Input	Universal 100 - 240 V AC
Charger Type	1.3 kW Integrated
Estimated Power Pack Life to 80% (city)	<ul style="list-style-type: none"> <li>ZF7.2: 121,000 miles (195,000 km)</li> <li>ZF13.0: 362,000 miles (583,000 km)</li> </ul>
RANGE	
City (EPA UDDS)	<ul style="list-style-type: none"> <li>ZF7.2: 89 miles (143 km)</li> <li>ZF13.0: 161 miles (259 km)</li> </ul>
Highway, 55 mph (89 km/h)	<ul style="list-style-type: none"> <li>ZF7.2: 54 miles (87 km)</li> <li>ZF13.0: 98 miles (158 km)</li> </ul>
>Combined (City + 55 mph)	<ul style="list-style-type: none"> <li>ZF7.2: 68 miles (109 km)</li> <li>ZF13.0: 122 miles (196 km)</li> </ul>
Highway, 70 mph (113 km/h)*	<ul style="list-style-type: none"> <li>ZF7.2: 45 miles (72 km)</li> <li>ZF13.0: 81 miles (130 km)</li> </ul>
>Combined (City + 70 mph)	<ul style="list-style-type: none"> <li>ZF7.2: 60 miles (97 km)</li> <li>ZF13.0: 108 miles (174 km)</li> </ul>
* When "highway" is referenced elsewhere in this manual for range, consider calculated highway speed as 70 mph (113 km/h).	

# Specifications (Rest Of The World)

<b>DRIVETRAIN</b>	
Transmission	Clutchless Direct Drive
Final Drive	<ul style="list-style-type: none"> <li>• ZF7.2: 90T/18T, Poly Chain® HTD® Carbon™ belt</li> <li>• ZF13.0: 90T/20T, Poly Chain® HTD® Carbon™ belt</li> </ul>
<b>CHASSIS/SUSPENSION/BRAKES</b>	
Front Suspension Travel	6.25 in (159 mm)
Rear Suspension Travel	6.35 in (161 mm)
Front Brakes	Bosch Gen 9 ABS, J-Juan asymmetric dual piston floating caliper, 320 mm OD x 5 mm thick disc
Rear Brakes	Bosch Gen 9 ABS, J-Juan single piston floating caliper, 240 mm OD x 4.5 mm thick disc
Front Tire	Pirelli Diablo Rosso II 110/70-17
Rear Tire	Pirelli Diablo Rosso II 140/70-17
Front Wheel	3.00 x 17
Rear Wheel	3.50 x 17
Front Suspension	Showa 41 mm inverted cartridge forks, with adjustable spring preload, compression, and rebound damping
Rear Suspension	Showa 40 mm piston, piggy-back reservoir shock with adjustable spring preload, compression, and rebound damping

<b>DIMENSION</b>	
Wheel Base	55.5 in (1,410 mm)
Seat Height	31.8 in (807 mm)
Rake	24.0 degrees
Trail	3.2 in (80 mm)
<b>WEIGHT</b>	
Curb Weight	<ul style="list-style-type: none"> <li>• ZF7.2: 313 lb (142 kg)</li> <li>• ZF13.0: 408 lb (185 kg)</li> </ul>
Carrying capacity	<ul style="list-style-type: none"> <li>• ZF7.2: 404 lb (183 kg)</li> <li>• ZF13.0: 367 lb (166 kg)</li> </ul>
<b>ECONOMY</b>	
Typical Cost to Recharge	<ul style="list-style-type: none"> <li>• ZF7.2: \$0.81</li> <li>• ZF13.0: \$1.46</li> </ul>
Equivalent Fuel Economy, (city)	474 MPGe (0.50 L/100 km)
Equivalent Fuel Economy (highway)	238 MPGe (0.98 L/100 km)

## Zero SR

<b>MOTOR</b>	
Type	Z-Force® 75-7R passively air-cooled, high-efficiency magnet, brushless motor
Magnet Configuration	Radial flux interior permanent hi-temp
Controller	High efficiency, 775 amp, 3-phase brushless controller with re-generative deceleration
Estimated Top Speed (max)	102 mph (164 km/h)
Estimated Top Speed (sustained)	95 mph (153 km/h)
<b>POWER SYSTEM</b>	
Type	Z-Force® Li-Ion Intelligent Power Pack
Maximum Capacity	14.4 kWh
Nominal Capacity	12.6 kWh
Charge Time (standard)	9.8 hours (100% charged) / 9.3 hours (95% charged)
Supplemental Charger Quick Charge Time (with one accessory charger)	5.7 hours (100% charged) / 5.2 hours (95% charged)
Supplemental Charger Quick Charge Time (with max accessory chargers)	2.8 hours (100% charged) / 2.3 hours (95% charged)
Input	Universal 100 - 240 V AC
Charger Type	1.3 kW Integrated

Estimated Power Pack Life to 80% (city)	241,000 miles (388,000 km)
<b>RANGE</b>	
City (EPA UDDS)	179 miles (288 km)
Highway, 55 mph (89 km/h)	109 miles (175 km)
>Combined (City + 55 mph)	135 miles (217 km)
Highway, 70 mph (113 km/h)*	90 miles (145 km)
>Combined (City + 70 mph)	120 miles (193 km)
* When "highway" is referenced elsewhere in this manual for range, consider calculated highway speed as 70 mph (113 km/h).	

# Specifications (Rest Of The World)

<b>DRIVETRAIN</b>	
Transmission	Clutchless Direct Drive
Final Drive	90T/20T, Poly Chain® HTD® Carbon™ belt
<b>CHASSIS/SUSPENSION/BRAKES</b>	
Front Suspension Travel	6.25 in (159 mm)
Rear Suspension Travel	6.35 in (161 mm)
Front Brakes	Bosch Gen 9 ABS, J-Juan asymmetric dual piston floating caliper, 320 mm OD x 5 mm thick disc
Rear Brakes	Bosch Gen 9 ABS, J-Juan single piston floating caliper, 240 mm OD x 4.5 mm thick disc
Front Tire	Pirelli Diablo Rosso II 110/70-17
Rear Tire	Pirelli Diablo Rosso II 140/70-17
Front Wheel	3.00 x17
Rear Wheel	3.50 x17
Front Suspension	Showa 41 mm inverted cartridge forks, with adjustable spring preload, compression, and rebound damping
Rear Suspension	Showa 40 mm piston, piggy-back reservoir shock with adjustable spring preload, compression, and rebound damping

<b>DIMENSION</b>	
Wheel Base	55.5 in (1,410 mm)
Seat Height	31.8 in (807 mm)
Rake	24.0 degrees
Trail	3.2 in (80 mm)
<b>WEIGHT</b>	
Curb Weight	414 lb (188 kg)
Carrying capacity	361 lb (164 kg)
<b>ECONOMY</b>	
Typical Cost to Recharge	\$1.61
Equivalent Fuel Economy (city)	474 MPGe (0.50 L/100 km)
Equivalent Fuel Economy (highway)	238 MPGe (0.99 L/100 km)

# Specifications (Rest Of The World)

## Zero DS

<b>MOTOR</b>	
Type	<ul style="list-style-type: none"> <li>ZF7.2: Z-Force® 75-5 passively air-cooled, high-efficiency magnet, brushless motor</li> <li>ZF13.0: Z-Force® 75-7 passively air-cooled, high-efficiency magnet, brushless motor</li> </ul>
Magnet Configuration	Radial flux interior permanent
Controller	High efficiency, 550 amp, 3-phase brushless controller with regenerative deceleration
Estimated Top Speed (max)	<ul style="list-style-type: none"> <li>ZF7.2: 91 mph (146 km/h)</li> <li>ZF13.0: 98 mph (158 km/h)</li> </ul>
Estimated Top Speed (sustained)	<ul style="list-style-type: none"> <li>ZF7.2: 80 mph (129 km/h)</li> <li>ZF13.0: 85 mph (137 km/h)</li> </ul>
<b>POWER SYSTEM</b>	
Type	Z-Force® Li-Ion Intelligent Power Pack
Maximum Capacity	<ul style="list-style-type: none"> <li>ZF7.2: 7.2 kWh</li> <li>ZF13.0: 13.0 kWh</li> </ul>
Nominal Capacity	<ul style="list-style-type: none"> <li>ZF7.2: 6.3 kWh</li> <li>ZF13.0: 11.4 kWh</li> </ul>
Charge Time (standard)	<ul style="list-style-type: none"> <li>ZF7.2: 5.2 hours (100% charged) / 4.7 hours (95% charged)</li> <li>ZF13.0: 8.9 hours (100% charged) / 8.4 hours (95% charged)</li> </ul>

Supplemental Charger Quick Charge Time (with one accessory charger)	<ul style="list-style-type: none"> <li>ZF7.2: 3.1 hours (100% charged) / 2.6 hours (95% charged)</li> <li>ZF13.0: 5.2 hours (100% charged) / 4.7 hours (95% charged)</li> </ul>
Supplemental Charger Quick Charge Time (with max accessory chargers)	<ul style="list-style-type: none"> <li>ZF7.2: 1.6 hours (100% charged) / 1.1 hours (95% charged)</li> <li>ZF13.0: 2.6 hours (100% charged) / 2.1 hours (95% charged)</li> </ul>
Input	Universal 100 - 240 V AC
Charger Type	1.3 kW Integrated
Estimated Power Pack Life to 80% (city)	<ul style="list-style-type: none"> <li>ZF7.2: 110,000 miles (177,000 km)</li> <li>ZF13.0: 198,000 miles (319,000 km)</li> </ul>
Type	Z-Force® Li-Ion Intelligent Power Pack
<b>RANGE</b>	
City (EPA UDDS)	<ul style="list-style-type: none"> <li>ZF7.2: 82 miles (132 km)</li> <li>ZF13.0: 147 miles (237 km)</li> </ul>
Highway, 55 mph (89 km/h)	<ul style="list-style-type: none"> <li>ZF7.2: 49 miles (79 km)</li> <li>ZF13.0: 88 miles (142 km)</li> </ul>
>Combined (City + 55 mph)	<ul style="list-style-type: none"> <li>ZF7.2: 61 miles (98 km)</li> <li>ZF13.0: 110 miles (177 km)</li> </ul>
Highway, 70 mph (113 km/h)*	<ul style="list-style-type: none"> <li>ZF7.2: 39 miles (63 km)</li> <li>ZF13.0: 70 miles (113 km)</li> </ul>
>Combined (City + 70 mph)	<ul style="list-style-type: none"> <li>ZF7.2: 53 miles (85 km)</li> <li>ZF13.0: 95 miles (153 km)</li> </ul>
* When "highway" is referenced elsewhere in this manual for range, consider calculated highway speed as 70 mph (113 km/h).	

# Specifications (Rest Of The World)

<b>DRIVETRAIN</b>	
Transmission	Clutchless Direct Drive
Drive System (standard)	<ul style="list-style-type: none"> <li>• ZF7.2: 90T / 18T, Poly Chain® HTD® Carbon™ belt</li> <li>• ZF13.0: 90T / 20T, Poly Chain® HTD® Carbon™ belt</li> </ul>
<b>CHASSIS/SUSPENSION/BRAKES</b>	
Front Suspension Travel	7.00 in (178 mm)
Rear Suspension Travel	7.03 in (179 mm)
Front Brakes	Bosch Gen 9 ABS, J-Juan asymmetric dual piston floating caliper, 320 mm OD x 5 mm thick disc
Rear Brakes	Bosch Gen 9 ABS, J-Juan single piston floating caliper, 240 mm OD x 4.5 mm thick disc
Front Tire	Pirelli MT-60 100/90-19 57H
Rear Tire	Pirelli MT-60 130/80-17 65H
Front Wheel	2.50 x 19
Rear Wheel	3.50 x 17
Front Suspension	Showa 41 mm inverted cartridge forks, with adjustable spring preload, compression, and rebound damping
Rear Suspension	Showa 40 mm piston, piggy-back reservoir shock with adjustable spring preload, compression, and rebound damping

<b>DIMENSION</b>	
Wheel Base	56.2 in (1,427 mm)
Seat Height	33.2 in (843 mm)
Rake	26.5 degrees
Trail	4.6 in (117 mm)
<b>WEIGHT</b>	
Curb Weight	<ul style="list-style-type: none"> <li>• ZF7.2: 317 lb (144 kg)</li> <li>• ZF13.0: 413 lb (187 kg)</li> </ul>
Carrying Capacity	<ul style="list-style-type: none"> <li>• ZF7.2: 417 lb (189 kg)</li> <li>• ZF13.0: 362 lb (164 kg)</li> </ul>
<b>ECONOMY</b>	
Typical Cost to Recharge	<ul style="list-style-type: none"> <li>• ZF7.2: \$0.81</li> <li>• ZF13.0: \$1.46</li> </ul>
Equivalent Fuel Economy (city)	433 MPGe (0.54 L/100 km)
Equivalent Fuel Economy (highway)	206 MPGe (1.14 L/100 km)

## Zero DSR

<b>MOTOR</b>	
Type	Z-Force® 75-7R passively air-cooled, high-efficiency magnet, brushless motor
Magnet Configuration	Radial flux interior permanent hi-temp
Controller	High efficiency, 775 amp, 3-phase brushless controller with re-generative deceleration
Estimated Top Speed (max)	102 mph (164 km/h)
Estimated Top Speed (sustained)	90 mph (145 km/h)
<b>POWER SYSTEM</b>	
Type	Z-Force® Li-Ion Intelligent Power Pack
Maximum Capacity	14.4 kWh
Nominal Capacity	12.6 kWh
Charge Time (standard)	9.8 hours (100% charged) / 9.3 hours (95% charged)
Supplemental Charger Quick Charge Time (with one accessory charger)	5.7 hours (100% charged) / 5.2 hours (95% charged)
Supplemental Charger Quick Charge Time (with max accessory chargers)	2.8 hours (100% charged) / 2.3 hours (95% charged)
Input	Universal 100 - 240 V AC
Charger Type	1.3 kW Integrated

Estimated Power Pack Life to 80% (city)	220,000 miles (354,000 km)
<b>RANGE</b>	
City (EPA UDDS)	163 miles (262 km)
Highway, 55 mph (89 km/h)	98 miles (158 km)
>Combined (City + 55 mph)	122 miles (196 km)
Highway, 70 mph (113 km/h)*	78 miles (126 km)
>Combined (City + 70 mph)	105 miles (169 km)
* When "highway" is referenced elsewhere in this manual for range, consider calculated highway speed as 70 mph (113 km/h).	

# Specifications (Rest Of The World)

<b>DRIVETRAIN</b>	
Transmission	Clutchless Direct Drive
Final Drive	90T/20T, Poly Chain® HTD® Carbon™ belt
<b>CHASSIS/SUSPENSION/BRAKES</b>	
Front Suspension Travel	7.00 in (178 mm)
Rear Suspension Travel	7.03 in (179 mm)
Front Brakes	Bosch Gen 9 ABS, J-Juan asymmetric dual piston floating caliper, 320 mm OD x 5 mm thick disc
Rear Brakes	Bosch Gen 9 ABS, J-Juan single piston floating caliper, 240 mm OD x 4.5 mm thick disc
Front Tire	Pirelli MT-60 100/90-19 57H
Rear Tire	Pirelli MT-60 130/80-17 65H
Front Wheel	2.50 x 19
Rear Wheel	3.50 x 17
Front Suspension	Showa 41 mm inverted cartridge forks, with adjustable spring preload, compression, and rebound damping
Rear Suspension	Showa 40 mm piston, piggy-back reservoir shock with adjustable spring preload, compression, and rebound damping

<b>DIMENSION</b>	
Wheel Base	56.2 in (1,427 mm)
Seat Height	33.2 in (843 mm)
Rake	26.5 degrees
Trail	4.6 in (117 mm)
<b>WEIGHT</b>	
Curb Weight	419 lb (190 kg)
Carrying capacity	356 lb (161 kg)
<b>ECONOMY</b>	
Typical Cost to Recharge	\$1.61
Equivalent Fuel Economy (city)	433 MPGe (0.54 L/100 km)
Equivalent Fuel Economy (highway)	206 MPGe (1.14 L/100 km)

## Who Is The Warrantor?

Zero Motorcycles Inc. (“Zero”).

## Who Does This Limited Warranty Cover?

This Limited Warranty applies to all original owners and any subsequent owners of the covered 2018 Zero S/DS/SR/DSR motorcycles (“2018 Zero Motorcycles”). It is provided at no additional cost during the applicable warranty coverage period.

Zero requires its authorized dealers to submit warranty registration information on-line or a warranty registration card via mail at the time of purchase to ensure timely service. When a covered 2018 Zero Motorcycle is sold to a subsequent owner, the original owner should submit a warranty transfer request either electronically or in writing. This must be performed to allow Zero the ability to contact the new owner in the unlikely event of a safety related issue. See “Transfer Of Ownership And Limited Warranty”, on page 9-9.

## What Does This Limited Warranty Cover?

Zero warrants that all factory manufactured 2018 Zero Motorcycles are free from defects in material and workmanship during the period of this Limited Warranty.

This Limited Warranty covers parts, including the motor, motor controller, frame, swing arm, fork, rear shock, brake assemblies, wheels and electrical sub-assemblies, and approved Zero accessories installed at the time of purchase by an authorized Zero dealer.

This Limited Warranty also covers the following items, collectively referred to as “Power Packs”:

- The Z-Force® Power Tank accessory that may be mounted in a Zero S/SR/DS/DSR model motorcycle. Should the Z-Force® Power Tank be purchased after the initial “in service date” of the 2018 Zero Motorcycle, the Z-Force® Power Tank’s warranty duration will match the remaining Power Pack warranty from the 2018 Zero Motorcycle.
- ZF7.2, ZF13.0, and ZF14.4 Z-Force® Li-Ion Power Packs installed on the 2018 Zero S/SR/DS/DSR motorcycle.

This Limited Warranty covers all components of the Power Packs that are included as a part of the Z-Force® Power Pack or Power Tank, including the battery, integrated battery management system, internal wiring, and internal structures.

# Limited Warranty Information

---

## What Is The Coverage Period Of This Limited Warranty?

The duration of this Limited Warranty depends upon whether your 2018 Zero Motorcycle is a demonstrator or a non-demonstrator.

Demonstrators are 2018 Zero Motorcycles that have been driven by or used by Zero's or an authorized dealership's customers or prospective customers, staff, managers or executives, or members of the press, but have never been registered within the state, province or country.

Non-demonstrators are those 2018 Zero Motorcycles that are not demonstrators.

## A. What is the Coverage Period for Non-Demonstrators?

The duration of this Limited Warranty for Non-Demonstrator 2018 Motorcycles, not including the Power Packs, is a period of two (2) years from the original "in service date."

*Note: The "in service date" is the date that the authorized dealer performs a pre-delivery inspection ("PDI") and delivers the motorcycle to the customer. In the event these events occur on different dates, the later date shall be the "in service date."*

The duration of this Limited Warranty for the Power Packs (not including the Power Pack's outer case) is:

- Five (5) years from the "in service date" of the host 2018 Zero S/SR/DS/DSR Motorcycle for the Z-Force® Power Tank accessory. If purchased after the host Power Pack warranty has expired, the Power Tank will receive the standard warranty of one (1) year from date of purchase.
- Five (5) years from the "in service date" for the ZF7.2, ZF13.0, and ZF14.4 Z-Force® Li-Ion Power Packs on the 2018 Zero S/SR/DS/DSR Motorcycle.

The Power Pack's outer case is not covered under the Power Pack Limited Warranty duration terms above. Instead, the Power Pack's outer case is covered for a period of two (2) years from its "in service date."

## **B. What is the Coverage Period for Demonstrators?**

The duration of this Limited Warranty for demonstrator 2018 Zero Motorcycles, not including the Power Packs, is a period of two (2) years and 90 days from the original “shipment date.”

*Note: The “shipment date” is the date that Zero ships the Demonstrator Motorcycle to the authorized dealer.*

The duration of this Limited Warranty for the Power Packs (not including the Power Pack's outer case) is:

- Five (5) years and 90 days from the “shipment date” of the host 2018 Zero S/SR/DS/DSR Motorcycle for the Z-Force® Power Tank accessory. If purchased after the host Power Pack warranty has expired, the Power Tank will receive the standard warranty of one (1) year from date of purchase.
- Five (5) years and 90 days from the “shipment date” for the ZF7.2, ZF13.0, and ZF14.4 Z-Force® Li-Ion Power Packs on the 2018 Zero S/SR/DS/DSR Motorcycle.

The Power Pack's outer case is not covered under the Power Pack Limited Warranty duration terms above. Instead, the Power Pack's outer case is covered for a period of two (2) years and 90 days from its “shipment date.”

## **What Is Not Covered By This Limited Warranty?**

Due to the battery chemistry, there is a normal, expected reduction in range/capacity that Power Packs can yield over time and usage. Depending on use and storage conditions, Power Packs will degrade during the duration of this Limited Warranty period. Zero will only repair or replace pursuant to this Limited Warranty a Power Pack that exhibits a nominal storage capacity reduction of greater than 20% of the published nominal capacity, as measured by an authorized Zero dealer. To check the capacity of a Power Pack, an authorized Zero dealer can perform a battery management system log data extraction, which will confirm if a reduction is within expected norms.

Further, this Limited Warranty only covers 2018 Zero Motorcycles or Power Packs/Power Tanks that are operated according to “proper use” and “under normal operating conditions.” For purposes of this exclusion, the following definitions apply:

- “Normal operating conditions” require routine care and maintenance of the 2018 Zero Motorcycle and Power Packs as described in this Owner's Manual.
- “Proper use” means only the use of a motorcycle in the manner intended for a rider and passenger on a 2018 Zero Motorcycle with proper safety equipment as

# Limited Warranty Information

---

described in this Owner's Manual, in accordance with local regulations.

- “Proper use” also means charging the Power Pack, using only Zero authorized chargers, after each use and storing it in a fully charged state, or recharging it every 30 days, or keeping it on the charger when in storage or not in regular use.

In addition, this Limited Warranty does not cover:

- The cost of parts and labor involved in any routine care and maintenance and/or the replacement of parts due to normal wear and tear, use, or deterioration, including but not limited to: tires, brake pads and rotors, belt drive, fork seals, grips, foot pegs, and the seat;
- This warranty does not cover the tires installed on the 2018 Zero Motorcycle. The original equipment tires are warranted separately by the tire manufacturer;
- The replacement of fluids, unless their replacement is a necessary part of warranty service on a covered component;
- Wheel and spoke damage resulting from off road use;
- Any cosmetic concerns that arise as a result of environmental conditions, owner abuse, misuse, lack of routine care and maintenance, and/or improper use;
- Parts or components damaged by use or operation under abnormal circumstances or contrary to the

requirements described in the Owner's Manual including a failure to have the motorcycles firmware updated during the regular service intervals or in a timely basis following a notification that a new update is available.

- 2018 Zero Motorcycles and Power Packs used for racing or other competitive events;
- 2018 Zero Motorcycles and Power Packs misused or improperly operated;
- Damage, malfunctions, or performance problems caused by modifications or alterations to 2018 Zero Motorcycles and/or Power Packs - including modifications or alterations performed by an authorized Zero dealer - that cause the 2018 Zero Motorcycle or Power Pack to fail;
- Damage, malfunctions, or performance problems caused by aftermarket accessories installed on a 2018 Zero Motorcycle or Power Pack after the “in service date,” or caused by aftermarket accessories installed by someone other than an authorized Zero dealer;
- Damage, malfunctions, or performance problems caused by the improper repair of the motorcycle, installation of any parts or accessories not sold or approved by Zero, the installation and use of any parties or accessories that alter the motorcycle's specifications from those set by Zero, or the use of new

or used parts not approved by Zero;

- Damage, malfunctions, or performance problems caused by the installation or use of any charger not sold or approved by Zero;
- Damage, malfunctions, or performance problems caused by fire, collision, accident, or improper storage;
- Damage, malfunctions, or performance problems caused by continued operation of the motorcycle after a warning light, gauge reading, or other warning indicates a mechanical or operational problem;
- 2018 Zero Motorcycles severely damaged or declared to be a total loss by an insurer, or motorcycles substantially reassembled from or repaired with parts obtained from another used motorcycle;
- Damage, malfunctions, or performance problems caused by the failure to follow recommended maintenance requirements as set forth in this Owner's Manual; and
- Damage, malfunctions, or performance problems caused by airborne industrial pollutants (e.g., acid rain), bird droppings, tree sap, stones, flood water, windstorms, or other similar occurrences.

Further, this Limited Warranty does not apply to 2018 Zero Motorcycles or parts and accessories that are not imported or distributed by Zero.

### What Other Limitations Or Disclaimers Apply To This Limited Warranty

The following additional limitations and disclaimers apply to this Limited Warranty:

- **THIS LIMITED WARRANTY IS THE ONLY EXPRESS WARRANTY MADE IN CONNECTION WITH THE SALE OF THIS ZERO MOTORCYCLE MODEL. ANY IMPLIED WARRANTY, INCLUDING ANY WARRANTY OF MERCHANTABILITY OR WARRANTY OF FITNESS FOR A PARTICULAR PURPOSE IS LIMITED IN DURATION TO THE STATED PERIOD OF THIS WRITTEN WARRANTY.**

Some States do not allow limitations on how long an implied warranty lasts, so the above limitation may not apply to you.

- Zero does not assume – or authorize any person to assume – any other obligation or liability on its behalf.
- **THIS LIMITED WARRANTY DOES NOT COVER ANY INCIDENTAL OR CONSEQUENTIAL DAMAGES, INCLUDING LOSS OF VALUE OF THE MOTORCYCLE, LOST PROFITS OR EARNINGS, OUT-OF-POCKET EXPENSES FOR SUBSTITUTE TRANSPORTATION OR LODGING, EXPENSES ASSOCIATED WITH RETURNING THE COVERED PRODUCT TO AN AUTHORIZED SERVICE FACILITY**

## Limited Warranty Information

---

**OR DEALER, TOWING AND/OR ROADSIDE ASSISTANCE EXPENSES, EXPENSES ASSOCIATED WITH RETURNING THE COVERED PRODUCT BACK TO ITS OWNER, MECHANIC'S TRAVEL TIME OR COMMUNICATION CHARGES, LOSS OR DAMAGE TO PERSONAL PROPERTY, LOSS OR TIME, OR INCONVENIENCE.**

Some States do not allow the exclusion or limitation of incidental or consequential damages, so the above limitation or exclusion may not apply to you.

- Zero reserves the right to change or improve the design of any 2018 Zero Motorcycle, Power Pack, or any other Zero parts (collectively, "Zero products") at any time, without assuming any obligation to modify any Zero products previously manufactured or sold.
- The purchaser acknowledges that there is an inherent risk in the operation of motorcycles. This Limited Warranty does not cover - and Zero cannot assume responsibility for - any injury arising from the unsafe or improper operation of Zero products, or the user's failure to comply with instructions, care and maintenance requirements, warnings, and safety precautions.
- The original registered owner or subsequent registered transferee as documented on the Zero motorcycle warranty registration form is responsible for conveying

the Owner's Manual and all safety warnings, instructions, and Limited Warranty if the unit is sold, loaned, or otherwise transferred to another person.

### **What Are Your Responsibilities As A Customer?**

As the owner of a product covered by this Limited Warranty, it is your responsibility to read and understand the Owner's Manual, this Limited Warranty, and all product warnings before operating your 2018 Zero Motorcycle. Serious injury or death can result from improper operation or failure to observe warnings and safety instructions on any motorcycle.

Further, it is also your responsibility to:

- Perform all recommended and necessary routine care and maintenance and engage in proper use of your Zero motorcycle and Power Pack as detailed in the Owner's Manual including obtaining any firmware updates available at each service interval or in a timely basis following a notification that a new update is available.
- Learn and obey all federal, state, and local laws governing the operations of a motorcycle, generally, and an electric motorcycle, specifically.

- At all times when operating a 2018 Zero Motorcycle wear proper safety equipment and clothing, including but not limited to helmet, eye protection, and appropriate boots.
- Convey the Owner's Manual and all safety warnings, instructions, and Limited Warranty if the unit is sold, loaned, or otherwise transferred to another person.

### **What Will Zero Do Under This Limited Warranty?**

During the duration of this Limited Warranty, an authorized Zero dealer will repair or replace (at Zero's discretion), without charge, any 2018 Zero Motorcycle, Power Packs, or parts that are covered by this Limited Warranty and found by Zero or an authorized Zero dealer to be defective in factory materials or workmanship.

### **How Does This Limited Warranty Relate To State Law?**

This Limited Warranty gives you specific legal rights, and you may also have other rights, which vary from State to State.

### **Notice Under State Lemon Laws**

Some States have laws, sometimes referred to as "lemon laws," allowing you to get a replacement motorcycle or a refund of the purchase price under certain circumstances. These laws vary from State to State. If your state law allows, Zero requires that you first notify us in writing of any service difficulty or issue that you may have experienced so that we can have a chance to make any needed repairs before you are eligible for remedies provided by these laws. In all other States, Zero asks that you give it written notice of any service difficulty or issue.

Please send your written notification to Zero at the following address:

Zero Motorcycles Inc.  
Attn: Customer Service  
380 El Pueblo Road  
Scotts Valley, CA 95066  
USA

# Limited Warranty Information

---

## How Do You Obtain Service Under This Limited Warranty?

Warranty services may be obtained by contacting your local Zero Motorcycles dealer. Please refer to the dealer locator on our website ([www.zeromotorcycles.com/locator](http://www.zeromotorcycles.com/locator)) for your nearest location.

In the event that a dealer is not in your state, province, or country, you can contact Zero Motorcycles Inc. directly at **+1 (888) 786-9376** (Americas, Asia and Oceania) or **+31 (0) 72 5112014** (UK, Europe, Middle East and Africa) or via e-mail at [support@zeromotorcycles.com](mailto:support@zeromotorcycles.com).

In any written or telephonic communication, please state the specific nature of any circumstances leading to the problem and include the VIN and odometer reading.

Zero Motorcycles Inc.  
380 El Pueblo Road  
Scotts Valley, CA 95066  
USA

Zero Motorcycles B.V.  
Oester 12  
1723 HW Noord-Scharwoude  
The Netherlands

(U.S. and International Patents and Trademarks Pending)

### **Transfer Of Ownership And Limited Warranty**

If you sell your 2018 Zero Motorcycle, please visit the Zero website and access the owner resources section to fill out the transfer of ownership and warranty form. This must be performed to allow Zero the ability to contact the new owner in the unlikely event of a safety related issue. Use the email address below or feel free to contact the Zero Customer Service department for assistance.

*Zero Motorcycles Inc.:*

Phone: **+1 (888) 786-9376**

E-mail: [support@zeromotorcycles.com](mailto:support@zeromotorcycles.com)

*Zero Motorcycles Europe:*

Phone: **+31 (0) 72 5112014**

E-mail: [support@zeromotorcycles.com](mailto:support@zeromotorcycles.com)

# Customer Information

---

## Customer Assistance

Please have the following available when contacting Zero Motorcycles Inc. as they are essential to effectively and efficiently answer your questions or resolve your concerns.

- Owner's name and address
- Owner's telephone number
- Vehicle identification number (VIN)
- Date of purchase
- Motor serial number (if visible)

*An owner information chart is provided on page 1-3 to record this information.*

Zero Motorcycles Inc. can be contacted as follows:

Zero Motorcycles Inc.  
380 El Pueblo Road  
Scotts Valley, CA 95066  
USA

Phone: **+1 (888) 786-9376**

Monday-Friday 8am to 5pm (Pacific Time)

E-mail: [support@zeromotorcycles.com](mailto:support@zeromotorcycles.com) (24 hours)

For updates and additional information about your motorcycle, visit the owner resources section of the Zero website: [www.zeromotorcycles.com/owner-resources/](http://www.zeromotorcycles.com/owner-resources/)

## Reporting Safety Defects

### United States

If you believe that your vehicle has a defect which could cause a crash or could cause injury or death, you should immediately inform the National Highway Traffic Safety Administration (NHTSA) in addition to notifying Zero Motorcycles Inc.

If NHTSA receives similar complaints, it may open an investigation, and if it finds that a safety defect exists in a group of vehicles, it may order a recall and remedy campaign. However, NHTSA cannot become involved in individual problems between you, your dealer, or Zero Motorcycles Inc.

To contact NHTSA, you may call the Vehicle Safety Hotline toll-free at:

1-888-327-4236 (TTY: 1-800-424-9153); go to <http://www.safercar.gov>; or write to:

Administrator  
National Highway Traffic Safety  
1200 New Jersey Avenue SE  
Washington, DC 20590

You can also obtain other information about motor vehicle safety from:

<http://www.safercar.gov>

### Canada

If you believe that your vehicle has a defect which could cause a crash or could cause injury or death, you should immediately inform Transport Canada, in addition to notifying Zero Motorcycles Inc.

To contact Transport Canada, call their toll-free number:  
+1-800-333-0510

### United Kingdom, Europe, and Global Markets

If you believe that your vehicle has a defect which could cause a crash or could cause injury or death, you should immediately inform your Zero Motorcycles authorized dealer. If you are unable to resolve the issue with your Zero Motorcycles authorized dealer you can contact Zero Motorcycles Inc. directly on +1-888-786-9376, or through our website at:

<http://www.zeromotorcycles.com>



# Maintenance Record

## Service History

After you have had your Zero Motorcycle serviced, please make sure that the appropriate maintenance record has been completed.

Use the space under "Notes" to record issues you want to remind yourself about or mention at the next service.

600 miles (1000 km) or 1 month	
Odometer reading:	Date:
Notes:	
Performed by:	

4,000 miles (7,000 km) or 6 months	
Odometer reading:	Date:
Notes:	
Performed by:	

8,000 miles (13,000 km) or 12 months	
Odometer reading:	Date:
Notes:	
Performed by:	

12,000 miles (19,000 km) or 18 months	
Odometer reading:	Date:
Notes:	
Performed by:	

16,000 miles (25,000 km) or 24 months	
Odometer reading:	Date:
Notes:	
Performed by:	

# Maintenance Record

---

**20,000 miles (31,000 km) or 30 months**

Odometer reading:

Date:

Notes:

Performed by:

**24,000 miles (37,000 km) or 36 months**

Odometer reading:

Date:

Notes:

Performed by:

**28,000 miles (43,000 km)**

Odometer reading:

Date:

Notes:

Performed by:

**32,000 miles (49,000km)**

Odometer reading:

Date:

Notes:

Performed by:

**36,000 miles (55,000 km)**

Odometer reading:

Date:

Notes:

Performed by:

**40,000 miles (61,000 km)**

Odometer reading:

Date:

Notes:

Performed by:

# Maintenance Record

<b>44,000 miles (67,000 km)</b>	
Odometer reading:	Date:
Notes:	
Performed by:	

<b>48,000 miles (73,000 km)</b>	
Odometer reading:	Date:
Notes:	
Performed by:	

<b>52,000 miles (79,000 km)</b>	
Odometer reading:	Date:
Notes:	
Performed by:	

<b>56,000 miles (85,000 km)</b>	
Odometer reading:	Date:
Notes:	
Performed by:	

<b>60,000 miles (91,000 km)</b>	
Odometer reading:	Date:
Notes:	
Performed by:	

<b>64,000 miles (97,000 km)</b>	
Odometer reading:	Date:
Notes:	
Performed by:	

# Maintenance Record

---

<b>68,000 miles (103,000 km)</b>	
Odometer reading:	Date:
Notes:	
Performed by:	

<b>72,000 miles (109,000 km)</b>	
Odometer reading:	Date:
Notes:	
Performed by:	

<b>76,000 miles (115,000 km)</b>	
Odometer reading:	Date:
Notes:	
Performed by:	

<b>80,000 miles (121,000 km)</b>	
Odometer reading:	Date:
Notes:	
Performed by:	

<b>84,000 miles (127,000 km)</b>	
Odometer reading:	Date:
Notes:	
Performed by:	

<b>88,000 miles (133,000 km)</b>	
Odometer reading:	Date:
Notes:	
Performed by:	

- 
- A**  
Accessories ..... 6.27
- B**  
Brake/Tail Light Bulb Replacement ..... 6.24  
Brakes ..... 6.10  
    Anti-lock Braking System (ABS)..... 4.6  
    Brake Fluid Level Inspection ..... 6.10  
    Brake Pad Inspection ..... 6.12  
    Braking..... 4.4  
    DOT 4 brake fluid ..... 6.11  
    Front Brake ..... 6.10  
    Parking Brake ..... 6.14  
    Rear Brake ..... 6.11  
    Squeal..... 6.12
- C**  
Charge Tank ..... 5.9  
Charging Stations ..... 5.10  
Charging the Power Pack ..... 5.4  
Cleaning Your Motorcycle ..... 6.26  
Contact information  
    NHTSA ..... 9.11  
    Zero Motorcycles ..... 9.10
- D**  
Dash Settings ..... 3.13  
Drive Belt ..... 6.17  
    Checking Drive Belt Tension ..... 6.17, 6.18  
    Gates® Carbon Drive™ Smartphone application ... 6.19
- E**  
Emissions Information ..... 1.5
- F**  
Fuses ..... 6.27  
    12 Volt Fuse Center ..... 6.28  
    High Voltage Fuses ..... 6.30
- G**  
General Operation ..... 4.1  
    Key Switch/Steering Lock Positions ..... 4.2  
    Pre-Ride Inspection ..... 4.1  
General Safety Precautions ..... 2.1  
General Troubleshooting ..... 7.8
- H**  
Headlight  
    Alignment ..... 6.21  
    Bulb Replacement ..... 6.22  
Helmet leash cable ..... 3.23

# Index

---

<b>I</b>	
Important Operating Information .....	2.2
Inspection	
Pre-Ride.....	4.1
Instrument Panel .....	3.8, 3.10

<b>K</b>	
Keys	
Replacement Code Number .....	1.4

<b>L</b>	
Location Of Important Labels .....	2.3
Log book.....	10.1

<b>M</b>	
Maintenance Record .....	10.1
Maintenance Schedule .....	6.2
Maximizing Range .....	1.6
Motor Serial Number .....	1.4

<b>O</b>	
Operating Your Motorcycle.....	4.4
Braking.....	4.4, 4.6
Stopping.....	4.4
Tip-over sensor .....	4.3
Owner Information Record .....	1.3
Owner's Responsibilities .....	6.1

<b>P</b>	
Parking .....	6.27
Parts/Maintenance Items.....	6.2
Performance Level Switch.....	3.21
ECO Position .....	3.21
SPORT Position.....	3.21
Power Pack .....	6.9
Plug in Your Z-Force Power Pack.....	1.2
Serial Number .....	1.4
Unplug Your Z-Force Power Pack .....	1.2
Pre-Ride Inspection .....	4.1
Public Charging Stations .....	5.10

<b>Q</b>	
Quick Charging.....	5.6

<b>R</b>	
Reporting safety defects.....	9.11

<b>S</b>	
Safe Riding Information .....	1.2
Safety Interlocks.....	7.11
Serial Number	
Motor .....	1.4
Power Pack.....	1.4
Smartphone Application .....	3.16
State of Charge (SOC) .....	3.16

Storage  
 Long Term.....6.27

Suspension  
 Front.....6.15  
 Rear .....6.15

Suspension Adjustment.....4.9  
 Front Fork Adjustment .....4.7, 4.12  
 Rear Shock Adjustment .....4.14

Suspension settings  
 Front (Factory) .....4.13  
 Rear (Factory).....4.18

**T**

Technical Specifications  
 Zero DS - Europe.....8.10  
 Zero DS - Rest of the World.....8.19  
 Zero DS (11kW) - Europe .....8.8  
 Zero DSR - Europe .....8.12  
 Zero DSR - Rest of the World .....8.21  
 Zero S - Europe .....8.4  
 Zero S - Rest of the World .....8.15  
 Zero S (11kW) - Europe.....8.2  
 Zero SR - Europe.....8.6  
 Zero SR - Rest of the World.....8.17

Tip-over sensor.....4.3

Tire Inflation.....6.16

Transporting.....1.9

Turn Signal Light Bulb Replacement .....6.24

**V**

Vehicle Identification Number (VIN)  
 Location.....1.4  
 Understanding Your VIN Number .....8.1, 8.14

Vehicle Range .....1.5

**W**

Warning Lights.....3.8, 3.10

Warranty  
 Coverage.....9.1  
 Exclusions .....9.3  
 Transfer Of Ownership And Warranty .....9.9

Wheels And Tires .....6.16



# First Responder Information – High Voltage Component Locations



**WARNING**



**DO NOT CUT  
COLORED  
ZONES**

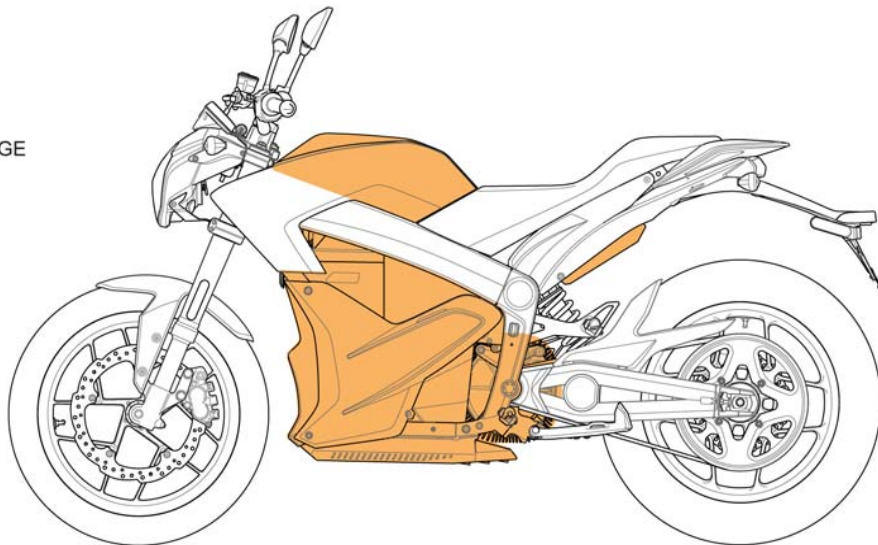


**NEVER** cut high voltage components or cabling. Cutting could result in serious injury or death.



High voltage cables and components may remain energized for up to 60 seconds after disabling.

 HIGH-VOLTAGE





**TAKE CHARGE™**

**ZERO SR**

**ZEROMOTORCYCLES.COM**

**88-08922.AF**