



2014 **OWNER'S MANUAL**

ZERO S™
ZERO SR™
ZERO DS™

Introduction	1.1	Safety Information	2.1
Introduction	1.1	General Safety Precautions	2.1
An Important Message To You From Zero		General Safety Precautions	2.1
Motorcycles	1.1	Important Operating Information	2.2
About This Manual	1.1	Location of Important Labels	2.3
Useful Information For Safe Riding	1.2	Location of Important Labels	2.3
Unplug Your Z-Force® Power Pack™	1.2	Controls and Components	3.1
California Proposition 65	1.2	Controls and Components	3.1
California Perchlorate Advisory	1.2	Motorcycle Controls.....	3.2
Identification Numbers	1.3	Left Side View	3.4
Owner Information.....	1.3	Right Side View	3.6
Power Pack Serial Number	1.4	Dash Overview	3.8
Motor Serial Number	1.4	Warning Indicator Lights.....	3.10
Key Code Number.....	1.4	Dash Settings	3.12
Vehicle Identification Number (VIN)	1.4	Smartphone Application	3.15
General Information	1.6	Bluetooth® Pairing	3.15
Technical Specifications.....	1.6	Handlebar Controls	3.16
Vehicle Range.....	1.12	Performance Level Mode Button.....	3.19
Public Charging Stations.....	1.13	Tank Bag	3.20
Maximizing Your Range	1.13	Power Tank (if equipped)	3.21
Emissions Information	1.16		
Transporting	1.17		

Table Of Contents

Starting and Operating..... 4.1

Starting and Operating4.1

First Time Set-Up.....4.1

Unpacking Your Zero Motorcycle.....4.2

General Operation4.3

General Operation4.3

Key Switch/Steering Lock Positions.....4.4

Power Pack.....4.6

Operating Your Motorcycle4.14

Front Suspension Adjustment.....4.16

Rear Shock Adjustment4.18

Maintaining Your Motorcycle..... 5.1

Maintaining Your Motorcycle5.1

Owner's Responsibilities5.1

Parts/Maintenance Items5.1

Maintenance Schedule5.2

Component Fasteners5.5

Power Pack5.8

Power Pack.....5.8

General Maintenance5.9

Brakes.....5.9

Suspension5.12

Wheels And Tires.....5.13

Tire Inflation5.13

Drive Belt5.14

Headlight Alignment.....5.16

Turn Signal Light Bulb Replacement..... 5.19

Brake/Tail LED Replacement..... 5.19

Running Light Bulb Replacement..... 5.20

Cleaning..... 5.21

Parking and Long Term Storage 5.22

Zero Motorcycles Accessories 5.22

Fuses 5.22

Service Record 5.25

Troubleshooting 6.1

Troubleshooting 6.1

Electric Motorcycle Precautions 6.1

Troubleshooting Your Motorcycle 6.1

System Warning Indicator 6.2

General Troubleshooting..... 6.5

Battery Management System..... 6.6

Cold and Hot Weather Considerations..... 6.12

Safety Interlocks..... 6.14

Warranty and Customer Information 7.1
Limited Warranty Information 7.1
What Does This Limited Warranty Cover? 7.1
What Is The Coverage Period Of This Limited
Warranty?..... 7.1
Who Does This Limited Warranty Cover? 7.2
What Is Not Covered By This Limited Warranty?..... 7.2
What Other Limitations Or Disclaimers Apply To
This Limited Warranty 7.4
What Are Your Responsibilities As A Customer? 7.5
What Will Zero Do Under This Limited Warranty? 7.5
How Do You Obtain Service Under This Limited
Warranty?..... 7.6
Transfer Of Ownership And Warranty 7.6
Customer Information 7.7
Customer Assistance 7.7
Reporting Safety Defects 7.7

Index

**First Responder Information - High Voltage
Components Locations**

An Important Message To You From Zero Motorcycles

Congratulations and thank you for purchasing the 2014 Zero S/SR/DS electric motorcycle; we welcome you to the community of Zero Motorcycles riders. This manual is designed to provide you with a better understanding of the operation, inspection, and basic maintenance requirements of this motorcycle.

Zero continually seeks advancements in product design and quality. Therefore, this manual contains the most current product information available at the time of printing. Because of this, your motorcycle may differ from the information supplied in this owner's manual. No legal claims can be made on the basis of data in this manual. When it comes time to sell your Zero S/SR/DS, please remember to hand over this manual; it is, by law, an important part of the vehicle. If you have any questions concerning the operation or maintenance of your motorcycle, please contact Zero at support@zeromotorcycles.com.

For 24 hour updates and additional information about your motorcycle, visit the Owner Resources section of the Zero Motorcycles website:

<http://www.zeromotorcycles.com/owner-resources/>

About This Manual

This manual covers the following motorcycles (standard equipment includes belt drive, integrated charger, and regenerative braking):

- Zero S: Street
 - Integrated Z-Force™ Power Pack and Charger
 - Cast Wheels
 - Street Tires
- Zero SR: Street - Max Performance
 - Integrated Z-Force™ Power Pack and Charger
 - Cast Wheels
 - Street Tires
- Zero DS: Dual Sport
 - Integrated Z-Force™ Power Pack and Charger
 - Spoke Wheels
 - Dual Sport Tires

Locating and referencing information

A good place to locate information about the motorcycle is in the index in the back of the manual.

The terms “right” or “left” refer to the rider's right or left when sitting on the motorcycle.

Introduction

Useful Information For Safe Riding

This manual contains the word CAUTION to indicate something that could hurt you or others. It also contains the word WARNING to indicate things that could damage your motorcycle.

CAUTION: Please read this manual carefully and completely before operating this motorcycle. Do not attempt to operate this motorcycle until you have attained adequate knowledge of its controls and operating features, and until you have been trained in safe and proper riding techniques. Regular inspections and proper maintenance, along with good riding skills, help you safely enjoy the capabilities and the reliability of this motorcycle. Disregarding the aforementioned, however, may render the warranty invalid.



This symbol is located in various locations on the motorcycle to inform you that exposure to high voltage can cause shock, burns and even death.

The high voltage components on the motorcycle should be serviced by technicians with special training.

High voltage cable or wiring has an orange covering. Do not probe, tamper with, cut, or modify high voltage cable or wiring.

Unplug Your Z-Force® Power Pack™

CAUTION: Proper care of the motorcycle's power pack is essential! Once your motorcycle is charged, disconnect the power pack from AC power. Leaving your motorcycle unplugged will maximize long-term power pack health. See [page 4.6](#) for other important information regarding the power pack.

California Proposition 65

WARNING! Certain motorcycles contain or emit chemicals known to the State of California to cause cancer and birth defects or other reproductive harm. In addition, certain fluids contained in vehicles and certain products of component wear contain or emit chemicals known to the State of California to cause cancer and birth defects or other reproductive harm.

California Perchlorate Advisory

WARNING! Certain components of this motorcycle such as Lithium batteries may contain Perchlorate Material. Special handling may apply for service or end of life disposal. See www.dtsc.ca.gov

Owner Information

Record information pertaining to your motorcycle here. When contacting your dealer, you may need to provide this information.

Dealer Information	Motorcycle Information
Name _____	VIN _____
Address _____ _____ _____	Model _____
Telephone No. _____	Power Pack Serial Number _____ _____
E-mail _____	Motor Serial Number _____ _____
Date of Purchase _____	Key Code _____

ZOM0272

Identification Numbers

Power Pack Serial Number

The Power Pack serial number is located on the upper front left of the power pack.

Motor Serial Number

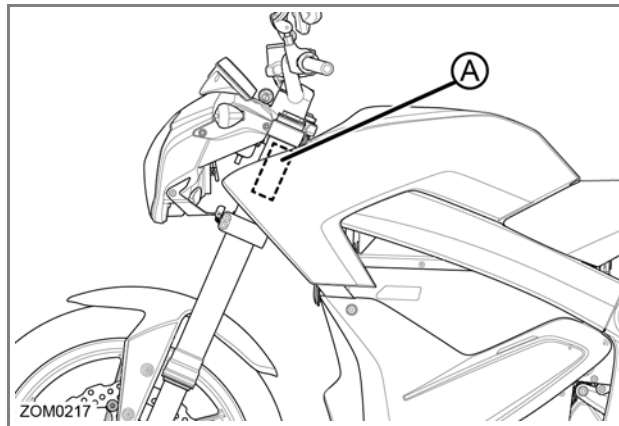
The motor serial number is stamped on the motor housing.

Key Code Number

The key code is a 5 digit number used to create duplicate keys. This number is located on a tag that accompanies the original keys.

Vehicle Identification Number (VIN)

The VIN is a 17-digit number stamped on the head tube of the frame. Do not alter or remove this number as it is the legal identifier for your motorcycle.



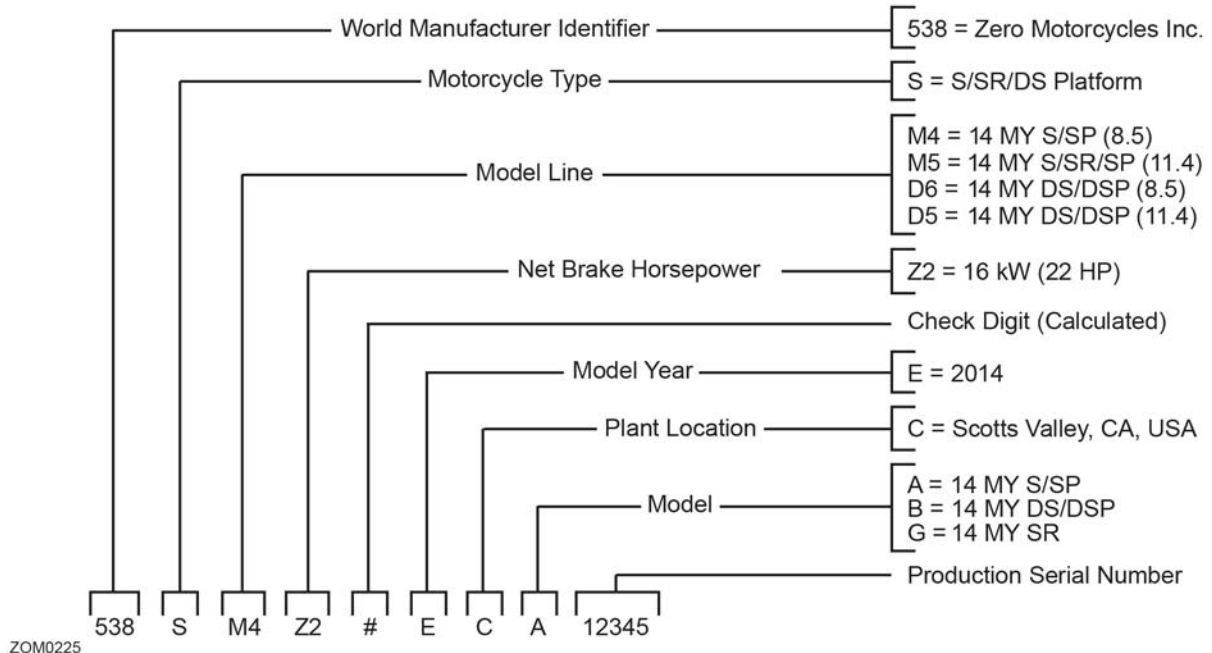
See the location of all important labels on [page 2.3](#).

Chassis Number

The motorcycle chassis number information (A) is affixed to the chassis column.

VIN Break Down

The following breakdown of the VIN will help you understand the significance of each digit or character in case you need to reference it when contacting Zero or ordering parts.



General Information

Technical Specifications

Zero S

The Zero S specifications below apply to both the S ZF8.5 and ZF11.4 models (unless otherwise specified).

MOTOR	
Type	Z-Force™ 75-7 passively air-cooled, high-efficiency, radial flux, permanent magnet, brushless motor.
Controller	High efficiency, 420 amp, 3-phase brushless controller with re-generative deceleration
Estimated Top Speed (max)	95 mph (153 km/h)
Estimated Top Speed (sustained)	80 mph (129 km/h)
POWER SYSTEM	
Type	Z-Force™ Li-Ion Intelligent Power Pack
Maximum Capacity	<ul style="list-style-type: none"> ZF8.5: 8.5 kWh ZF11.4: 11.4 kWh
Nominal Capacity	<ul style="list-style-type: none"> ZF8.5: 7.5 kWh ZF11.4: 10.0 kWh
Charge Time (standard)	<ul style="list-style-type: none"> ZF8.5: 6.0 hours(100% charged) / 5.5 hours (95% charged) ZF11.4: 7.9 hours (100% charged) / 7.4 hours (95% charged)

Supplemental Charger Quick Charge Time (accessory)	<ul style="list-style-type: none"> ZF8.5 3.6 hours (100% charged) / 3.1 hours (95% charged) ZF11.4 4.6 hours (100% charged) / 4.1 hours (95% charged)
CHAdEMO Recharge Time (0 to 95%)	1.0 hour
CHAdEMO Recharge Time (0 to 100%)	1.5 hours
Input	Standard 110 V AC or 220 V AC
Charger Type	1.3kW Integrated
Estimated Power Pack Life to 80% (city)	<ul style="list-style-type: none"> ZF8.5: 231,000 miles (372,000 km) ZF11.4: 308,000 miles (496,000 km)
RANGE	
City (EPA UDDS)	<ul style="list-style-type: none"> ZF8.5 103 miles (165 km) ZF11.4 137miles (220 km)
Highway, 55 mph (88 km/h)	<ul style="list-style-type: none"> ZF8.5 64 miles (103 km) ZF11.4 85 miles (137 km)
>Combined (City + 55 mph)	<ul style="list-style-type: none"> ZF8.5 79 miles (127 km) ZF11.4 105 miles (169 km)
Highway, 70 mph (112 km/h)	<ul style="list-style-type: none"> ZF8.5 53 miles (84 km) ZF11.4 70 miles (113 km)
>Combined (City + 70 mph)	<ul style="list-style-type: none"> ZF8.5 69 miles (112 km) ZF11.4 93 miles (149 km)

DRIVETRAIN	
Transmission	Clutchless Direct Drive
Final Drive	132T/28T, Poly Chain® GT® Carbon™ belt
CHASSIS/SUSPENSION/BRAKES	
Front Suspension Travel	6.25 in (159 mm)
Rear Suspension Travel	6.35 in (161 mm)
Front Brakes	Nissin 2 piston hydraulic 313 mm OD rotor, 4.0 mm thick 2 piston floating caliper
Rear Brakes	J-Juan 1 piston hydraulic 240 mm OD rotor, 4.5 mm thick
Front Tire	110/70-17 in
Rear Tire	140/70-17 in
Front Wheel	3.00x17
Rear Wheel	3.50x17
Front Suspension	43 mm inverted, aluminum slider forks with adjustable compression and rebound damping
Rear Suspension	Piggy-back reservoir shock with adjustable spring preload, compression and rebound damping

DIMENSION	
Wheel Base	55.5 in (1,410 mm)
Seat Height	31.8 in (807 mm)
Rake	24.0 degrees
Trail	3.2 in (80 mm)
WEIGHT	
Frame	22 lbs (10 kg)
Curb Weight	<ul style="list-style-type: none"> ZF8.5 367 lbs (166 kg) ZF11.4 399 lbs (181 kg)
Carrying capacity	<ul style="list-style-type: none"> ZF8.5 398 lbs (181 kg) ZF11.4 366 lbs (166 kg)
ECONOMY	
Typical Cost to Recharge	<ul style="list-style-type: none"> ZF8.5 \$0.96/€1.36 ZF11.4 \$1.28/€1.81
Equivalent Fuel Economy, (city)	<ul style="list-style-type: none"> ZF8.5 462 MPGe(0.51 L/100 km) ZF11.4 462 MPGe(0.51 L/100 km)
Equivalent Fuel Economy (highway)	<ul style="list-style-type: none"> ZF8.5 236 MPGe (1.00 L/100 km) ZF11.4 236 MPGe (1.00 L/100 km)

General Information

Zero SR

MOTOR	
Type	Z-Force™ 75-7 passively air-cooled, high-efficiency, radial flux, permanent hi-temp magnet, brushless motor.
Controller	High efficiency, 660 amp, 3-phase brushless controller with re-regenerative deceleration
Estimated Top Speed (max)	102 mph (164 km/h)
Estimated Top Speed (sustained)	85 mph (137 km/h)
POWER SYSTEM	
Type	Z-Force™ Li-Ion Intelligent Power Pack
Maximum Capacity	<ul style="list-style-type: none"> • ZF11.4: 11.4 kWh • ZF14.2: 14.2 kWh
Nominal Capacity	<ul style="list-style-type: none"> • ZF11.4: 10.0 kWh • ZF14.2: 12.5 kWh
Charge Time (standard)	<ul style="list-style-type: none"> • ZF11.4: 7.9 hours(100% charged) / 7.4 hours (95% charged) • ZF14.2: 9.9 hours (100% charged) / 9.3 hours (95% charged)
Supplemental Charger Quick Charge Time (accessory)	<ul style="list-style-type: none"> • ZF11.4 4.6 hours (100% charged) / 4.1 hours (95% charged) • ZF14.2 5.8 hours (100% charged) / 5.1 hours (95% charged)
CHAdEMO Recharge Time (0 to 95%)	1.0 hour

CHAdEMO Recharge Time (0 to 100%)	1.5 hours
Input	Standard 110 V AC or 220 V AC
Charger Type	1.3kW Integrated
Estimated Power Pack Life to 80% (city)	<ul style="list-style-type: none"> • ZF11.4: 308,000 miles (496,000 km) • ZF11.4: 385,000 miles (620,000 km)
RANGE	
City (EPA UDDS)	<ul style="list-style-type: none"> • ZF11.4 137 miles (220 km) • ZF14.2 171 miles (276 km)
Highway, 55 mph (88 km/h)	<ul style="list-style-type: none"> • ZF11.4 85 miles (137 km) • ZF14.2 106 miles (171 km)
>Combined (City + 55 mph)	<ul style="list-style-type: none"> • ZF11.4 105 miles (169 km) • ZF14.2 131 miles (211 km)
Highway, 70 mph (112 km/h)	<ul style="list-style-type: none"> • ZF11.4 70 miles (113 km) • ZF14.2 88 miles (141 km)
>Combined (City + 70 mph)	<ul style="list-style-type: none"> • ZF11.4 93 miles (150 km) • ZF14.2 116 miles (186 km)

DRIVETRAIN	
Transmission	Clutchless Direct Drive
Final Drive	132T/30T, Poly Chain® GT® Carbon™ belt
CHASSIS/SUSPENSION/BRAKES	
Front Suspension Travel	6.25 in (159 mm)
Rear Suspension Travel	6.35 in (161 mm)
Front Brakes	Nissin 2 piston hydraulic 313 mm OD rotor, 4.0 mm thick 2 piston floating caliper
Rear Brakes	Nissin 2 piston hydraulic 313 mm OD rotor, 4.0 mm thick 2 piston floating caliper
Front Tire	110/70-17 in
Rear Tire	140/70-17 in
Front Wheel	3.00x17
Rear Wheel	3.50x17
Front Suspension	43 mm inverted, aluminum slider forks with adjustable compression and rebound damping
Rear Suspension	Piggy-back reservoir shock with adjustable spring preload, compression and rebound damping

DIMENSION	
Wheel Base	55.4 in (1,410 mm)
Seat Height	31.8 in (807 mm)
Rake	24.0 degrees
Trail	3.2 in (80 mm)
WEIGHT	
Frame	22 lbs (10 kg)
Curb Weight	<ul style="list-style-type: none"> • ZF11.4 407 lbs (185 kg) • ZF14.2 452 lbs (205 kg)
Carrying capacity	<ul style="list-style-type: none"> • ZF11.4 358 lbs (162 kg) • ZF14.2 313 lbs (142 kg)
ECONOMY	
Typical Cost to Recharge	<ul style="list-style-type: none"> • ZF11.4 \$1.28/€1.81 • ZF14.2 \$1.60/€2.26
Equivalent Fuel Economy (city)	<ul style="list-style-type: none"> • ZF11.4 462 MPGe (0.51 L/100 km) • ZF14.2 462 MPGe (0.51 L/100 km)
Equivalent Fuel Economy (highway)	<ul style="list-style-type: none"> • ZF11.4 236 MPGe (1.00 L/100 km) • ZF14.2 236 MPGe (1.00 L/100 km)

General Information

Zero DS

MOTOR	
Type	Z-Force™ 75-7 passively air-cooled, high-efficiency, radial flux, permanent magnet, brushless motor.
Controller	High efficiency, 420 amp, 3-phase brushless controller with re-generative deceleration
Estimated Top Speed (max)	98 mph (158 km/h)
Estimated Top Speed (sustained)	80 mph (129 km/h)
POWER SYSTEM	
Type	Z-Force™ Li-Ion Intelligent Power Pack
Maximum Capacity	<ul style="list-style-type: none"> ZF8.5 8.5 kWh ZF11.4 11.4 kWh
Nominal Capacity	<ul style="list-style-type: none"> ZF8.5 7.5 kWh ZF11.4 10.0 kWh
Charge Time (standard)	<ul style="list-style-type: none"> ZF8.5 6.0 hours (100% charged)/ 5.5 hours (95% charged) ZF11.4 7.9 hours (100% charged)/ 7.4 hours (95% charged)
Supplemental Charger Quick Charge Time (accessory)	<ul style="list-style-type: none"> ZF8.5 3.6 hours (100% charged) / 3.1 hours (95% charged) ZF11.4 4.6 hours (100% charged) / 4.1 hours (95% charged)
CHAdEMO Recharge Time (0 to 95%)	1.0 hour

CHAdEMO Recharge Time (0 to 100%)	1.5 hours
Input	Standard 110 V AC or 220 V AC
Charger Type	1.3 kW Integrated
Estimated Power Pack Life to 80% (city)	<ul style="list-style-type: none"> ZF8.5 213,000 miles (343,000 km) ZF11.4 284,000 miles (457,000 km)
RANGE	
City (EPA UDDS)	<ul style="list-style-type: none"> ZF8.5 95 miles (152 km) ZF11.4 126 miles (203 km)
Highway, 55 mph (88 km/h)	<ul style="list-style-type: none"> ZF8.5 57 miles (92 km) ZF11.4 76 miles (122 km)
>Combined (City + 55 mph)	<ul style="list-style-type: none"> ZF8.5 71 miles (114 km) ZF11.4 95 miles (153 km)
Highway, 70 mph (112 km/h)	<ul style="list-style-type: none"> ZF8.5 46 miles (74 km) ZF11.4 61 miles (98 km)
>Combined (City + 70 mph)	<ul style="list-style-type: none"> ZF8.5 62 miles (99 km) ZF11.4 82 miles (132 km)
DRIVETRAIN	
Transmission	Clutchless Direct Drive
Drive System (standard)	132T / 28T, Poly Chain® GT® Carbon™ belt

CHASSIS/SUSPENSION/BRAKES	
Front Suspension Travel	7 in (178 mm)
Rear Suspension Travel	7.03 in (195 mm)
Front Brakes	Nissin 2 piston hydraulic 313 mm OD rotor, 4.0 mm thick 2 piston floating caliper
Rear Brakes	J-Juan 1 piston hydraulic 240 mm OD rotor, 4.5 mm thick
Front Tire	100/90-19 in
Rear Tire	130/80-17 in
Front Wheel	19 x 2.15 in
Rear Wheel	17 x 3.0 in
Front Suspension	43 mm inverted forks with adjustable compression and rebound damping
Rear Suspension	Piggy-back reservoir shock with adjustable spring preload, compression and rebound damping
DIMENSION	
Wheel Base	56.2 in (1,427 mm)
Seat Height	33.2 in (843 mm)
Rake	26.5 degrees
Trail	4.6 in (117 mm)

WEIGHT	
Frame	22 lbs(10 kg)
Curb Weight	<ul style="list-style-type: none"> • ZF8.5 372 lbs (169 kg) • ZF11.4 404 lbs (183 kg)
Carrying Capacity	<ul style="list-style-type: none"> • ZF8.5 393 lbs (178 kg) • ZF11.4 361 lbs (164 kg)
ECONOMY	
Typical Cost to Charge	<ul style="list-style-type: none"> • ZF8.5 \$0.96/€1.36 • ZF11.4 \$1.28/€1.81
Equivalent Fuel Economy, City (EPA UDDS)	<ul style="list-style-type: none"> • ZF8.5 425 MPGe (.55 L/100 km) • ZF11.4 425 MPGe (.55 L/100 km)
Equivalent Fuel Economy (highway 70 mph)	<ul style="list-style-type: none"> • ZF8.5 206 MPGe (1.14 L/100 km) • ZF11.4 206 MPGe (1.14 L/100 km)

General Information

Vehicle Range

The range of an electric vehicle is defined as the distance the vehicle travels on a single full charge of the power pack. Just like EPA mileage estimates on an automobile, “your mileage may vary.” Your range results are a direct reflection of your riding habits. The more conservative you ride the better range you can expect from your Zero S/SR/DS motorcycle.

Some of the factors which affect range include speed, acceleration, number of starts and stops, ambient air temperature, as well as changes in elevation. The combination of these factors, as you travel from one point to another, defines your trip profile. In addition, tire pressure and payload are important considerations.

We suggest that you ride conservatively when you first get your Zero S/SR/DS motorcycle, and get to know your motorcycle and your commute. Once you become familiar with the range versus performance of your motorcycle, then you can adjust your riding characteristics if you so desire. This applies mainly to riders with trip profiles which are at the edge of the performance envelope. Those individuals with relatively short commutes can expect to ride quite aggressively and reach their destination with energy to spare.

Reported motorcycle range values are measured using two different types of industry standard test procedures:

1. “City (EPA UDDS)”: This test procedure uses a duty cycle known as the “Universal Dynamometer Driving Schedule (UDDS)”, which was developed by the U.S. Environmental Protection Agency (EPA) in order to simulate city-type riding.
2. “Highway”: This test procedure uses two separate constant speeds of 55 mph and 70 mph to simulate highway riding.

Both of these test procedures are run on a single charge, in order to report the associated measured range values.

Range values labeled “Combined” are based on a calculation that assumes a duty cycle comprised of 50% City / 50% Highway.

See technical specification charts on [page 1.6](#) through [page 1.10](#) for these ranges.

Public Charging Stations

There are more public charging stations coming online every day and there may be some in your area. You can charge from a public charging station with either the optional J1772 S/SR/DS Zero motorcycle accessory or CHAdeMO Zero motorcycle accessory. These stations are often available at a variety of locations including shopping centers, city parking lots, airports, hotels, government offices, and other businesses. We recommend that you search the internet for locations in your area. For example, search for “charging stations.”

CHAdeMO Charger

Your Zero motorcycle can utilize a quick charging CHAdeMO charger system. A CHAdeMO charger can charge your motorcycle in about one hour. For additional information contact your Zero Motorcycles dealer.

Maximizing Your Range

Range varies in electric motorcycles similarly to how it varies in gas motorcycles. However, the big difference between electric and gas is that energy consumption is averaged over a shorter distance on an electric motorcycle. Electric motorcycles are designed for convenient daily recharges versus less frequent and less convenient trips to the gas station. As a result, the same electric motorcycle often yields different ranges from one full recharge to the next.

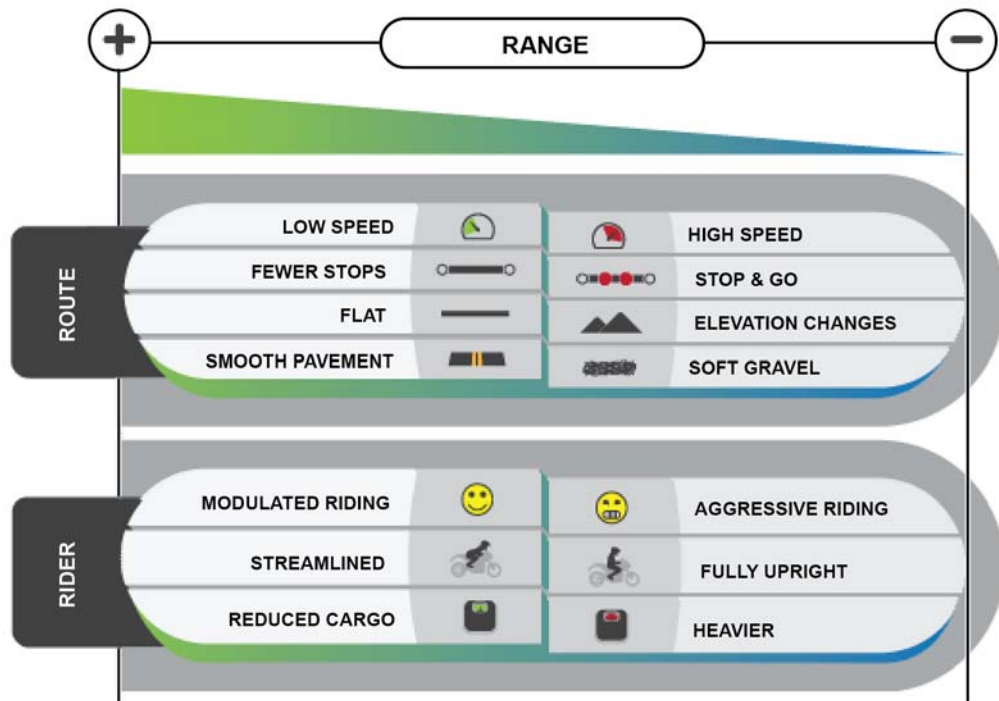
How to Predict the Range

To generally predict how an electric motorcycle's range will be affected, you can use the four factors:

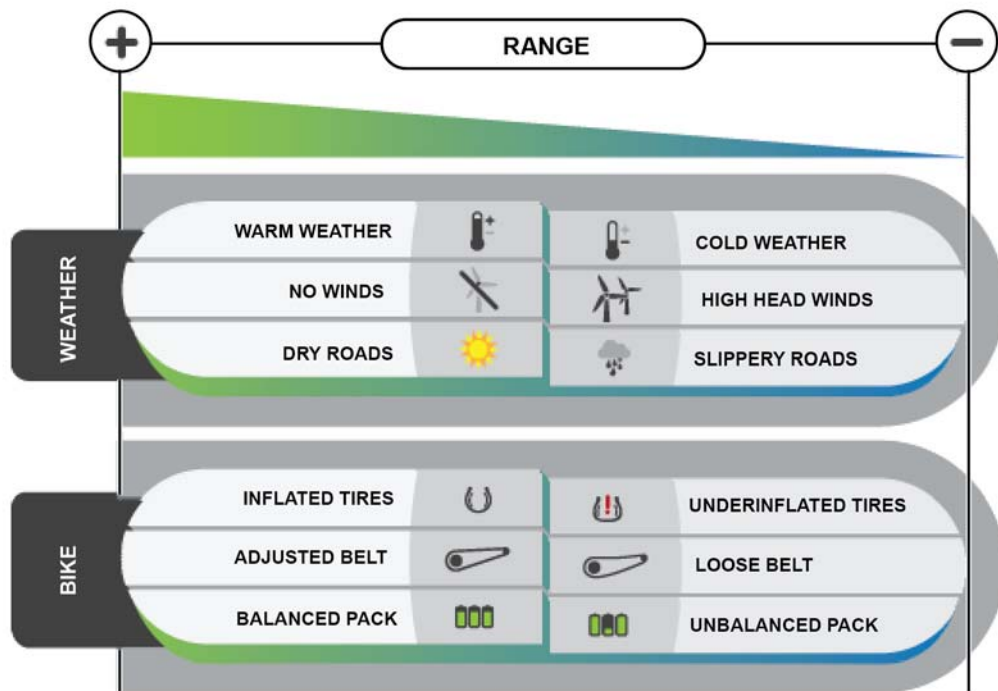
- route
- rider
- weather
- motorcycle

By considering each of these factors, you can use specifications such as ‘city range’ as standards to estimate what the motorcycle's real world range will be under the your particular usage case.

General Information



ZOM0270



ZOM0269

General Information

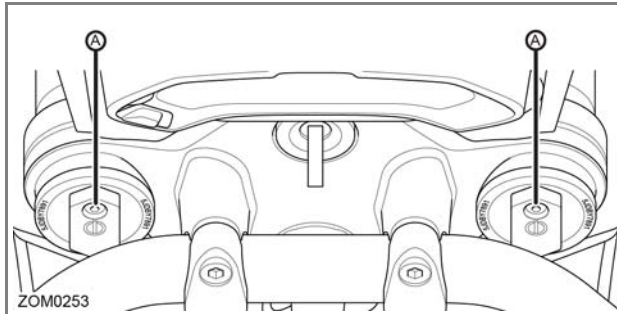
Emissions Information

The Zero S/SR/DS electric motorcycle is a true freeway capable zero emissions vehicle under California Air Resources Board (CARB), U.S. Federal (EPA), and European Union standards. It uses no gasoline or other liquid fuel. It has no tailpipe and therefore no tailpipe emissions. It also has no exhaust or evaporative emissions. Because the Zero S/SR/DS runs solely on electricity, it is the only kind of vehicle which actually gets cleaner in terms of air pollution each year, as the electricity grid gets cleaner and more renewable. Zero Emissions Vehicles (ZEV's) offer greater efficiency, and can help solve the serious air pollution, global warming, and energy security problems facing the country and the world.

WARNING! Please use only Zero approved parts and accessories for your Zero motorcycle. Parts and accessories for your Zero motorcycle have been checked and tested for safety and suitability. Zero is unable to accept any liability whatsoever for parts and accessories which have not been approved

Transporting

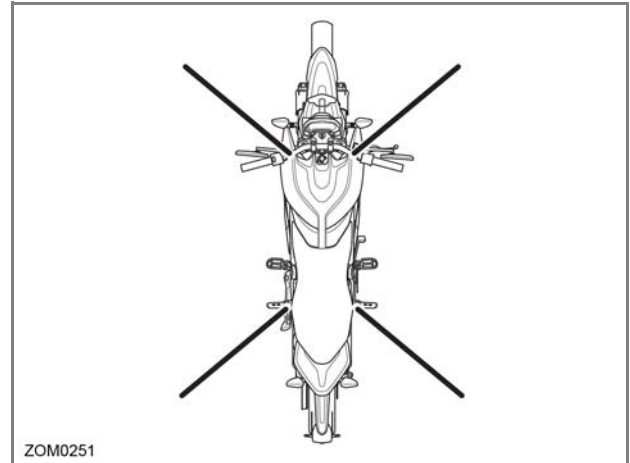
When the front fork is compressed, the built up pressure must be released to help prevent fork seal leaks. There is a 3 mm Allen “bleed” screw located just in front of the rebound adjuster on each fork leg. This “bleed” screw (A) is used to release the built up pressure. Loosen the screw slowly, but do not remove. Once all the air is out, tighten the bleed screw.



The fork must be fully extended (most likely on a stand or balanced on the kickstand with the front tire in the air) then the air can be bled and capped. Ensure that the screw is tightened before riding.

It is recommended that the motorcycle be tied-down using ratchet straps. Place the ratchet straps around a frame contact point. Soft straps must be used to prevent scratches or other damage.

Use two ratchet straps in the front and two in the rear. The tie down straps should be at a 45° angle from the motorcycle. Follow the manufacturer's instructions for the ratchet straps you are using.



General Safety Precautions

- This is a performance motorcycle and should be treated with extreme caution.
- Proper safety gear, including a regionally approved helmet, riding boots, gloves, and protective clothing should be worn while riding to reduce the risk of potential injury. We highly recommend the use of full height riding boots since the vast majority of motorcycle injuries are leg and foot injuries. It is not recommended to ride without the correct protective clothing; this applies to even short journeys, and to every season of the year.
- Read all additional warnings and product instructions in this owner's manual, as well as safety labels, before operating your electric motorcycle.
- Never permit a guest to ride your electric motorcycle without proper instruction.
- Never use alcohol or mind-altering drugs before operating your electric motorcycle.
- Persons unwilling or unable to take responsibility for their actions should not use this motorcycle. You assume all responsibility while operating your motorcycle. The seller assumes no liability for misuse or operator negligence.
- Prior to each use the rider must check everything in the "every ride" column of the maintenance schedule on [page 5.2](#), and the charge level of the power pack as indicated on the dash display charge indicator.
- Your safety depends in part on the good mechanical condition of the motorcycle. Be sure to follow the maintenance schedule and adjustment requirements contained in this manual. Be sure you understand the importance of checking all items thoroughly before riding.
- Modifications to the motorcycle may render the vehicle unsafe and may cause severe personal injury. Zero Motorcycles cannot be held liable for non-approved modifications.
- Be very careful when loading or adding accessories to your motorcycle. Large, bulky, or heavy items may adversely affect the handling and performance of your motorcycle.

General Safety Precautions

Important Operating Information

Several operating considerations are listed below:

- Always turn the key switch and motor stop switch to the OFF position when not actively riding. It is very easy to forget that the motorcycle is powered up because it is silent. An accident can occur if the motorcycle is left powered up while getting on or off the motorcycle.
- Turn the motor stop switch OFF when backing up or pushing the motorcycle while dismounted.
- Use the rear brake when you are stopped on an incline. **Do not hold the motorcycle using partial throttle or damage to the motor may occur.**
- Plug your motorcycle into an AC power source to recharge it after each use. Once recharged, disconnect from the AC power source. Leaving your motorcycle unplugged between charges will maximize the long-term health of the power pack. You should also use the supplied cable as it is designed for use with your motorcycle's electrical components.
- While unplugged with the key in the OFF position, the motorcycle's electronics will consume a very small amount of power and the power pack will drain extremely slowly. If you don't ride for an extended period of time (30 days or more), you may want to plug the motorcycle into an AC power source to charge it for a few hours prior to your next ride.

CAUTION: Only charge the Zero power pack with the motorcycle's on-board charger or the approved Zero accessory charger.

- The power pack does not require, or tolerate, deep discharging. To get the most power pack life, recharge each power pack immediately after each ride. Leaving a power pack in a discharged state will cause damage.
- Failure to follow power pack storage and charging instructions as described in this Zero Motorcycles Owner's Manual may void the warranty of your Zero motorcycle. These guidelines have been rigorously tested to ensure maximum power pack efficiency and service.

Location of Important Labels

The vehicle could contain the following information for both North American and European models:

	VEHICLE EMISSION CONTROL INFORMATION ZERO MOTORCYCLES, INC.
ENGINE FAMILY: 024M1000077	THIS VEHICLE IS CERTIFIED TO OPERATE ON ELECTRICITY
EXHAUST EMISSION CONTROL SYSTEM: BATFISH-ONLY ELECTRIC VEHICLE	
THIS VEHICLE CONFORMS TO U.S. EPA AIR EMISSIONS REGULATIONS APPLICABLE TO 2014 MODEL YEAR NEW HIGHWAY MOTORCYCLES.	
NO ADJUSTMENTS NECESSARY. SEE OWNER'S MANUAL FOR DETAILS. P/N: 80-0001-01	

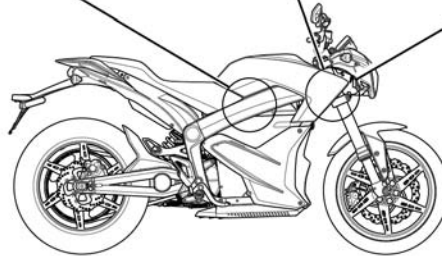
A

ZERO MOTORCYCLES
e:11*2002/24*0506
STATIONARY NOISE:
N/A - ELECTRIC MOTORCYCLE

B

MANUFACTURED BY / FABRIQUÉ PAR: ZERO MOTORCYCLES		DATE:	
DRW/P/PRV:	LB:	KG:	COLD INFL. PRESS. /
			PRESS. DE GOUËLLE À FROID:
FRONT:	LB:	KG:	TIRE / PNEU: FRM / JANTE: PRESS. DE GOUËLLE À FROID: KPA:
REAR:	LB:	KG:	PSI / KPA: KPA:
THIS VEHICLE CONFORMS TO ALL APPLICABLE STANDARDS PRESCRIBED UNDER THE CANADIAN MOTOR VEHICLE SAFETY REGULATIONS IN EFFECT ON THE DATE OF MANUFACTURE. CE VÉHICULE EST CONFORME À TOUTES LES NORMES QUI S'Y SONT APPLICABLES EN VERTU DU RÈGLEMENT SUR LA SÉCURITÉ DES VÉHICULES AUTOMOBILES DU CANADA EN VIGUEUR À LA DATE DE SA FABRICATION.			
THIS VEHICLE CONFORMS TO ALL APPLICABLE FEDERAL MOTOR VEHICLE SAFETY STANDARDS IN EFFECT ON THE DATE OF MANUFACTURE SHOWN ABOVE.			
VIN/NC:			TYPE: NC:

C



ZOM0218

A. VECI (Vehicle Emission Control Information) label

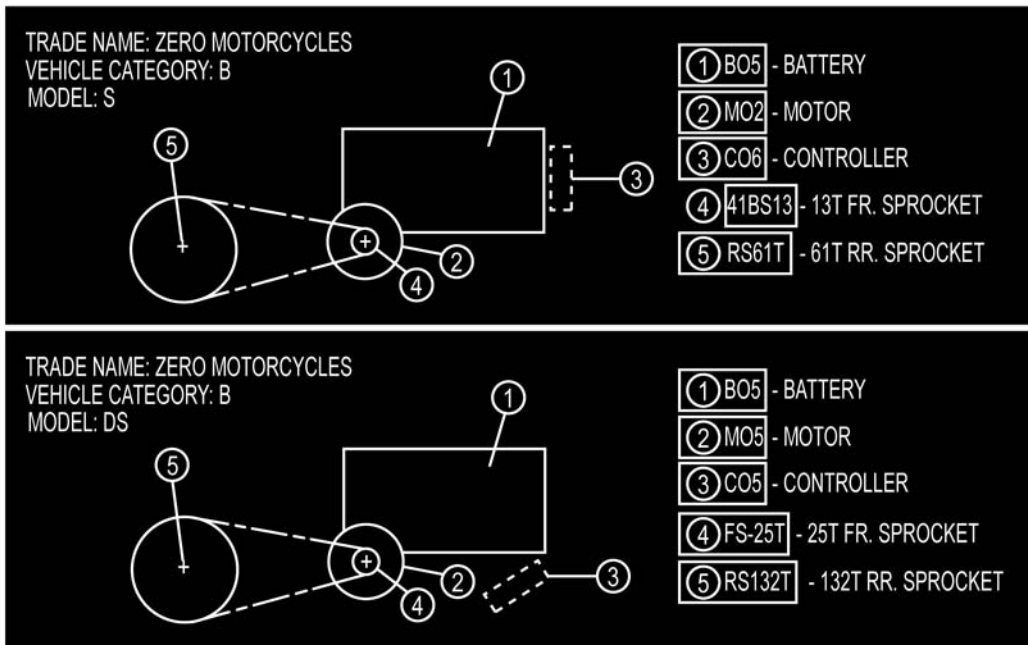
B. VIN label (European Union) - certification label

C. VIN label (North America) - certification label shown

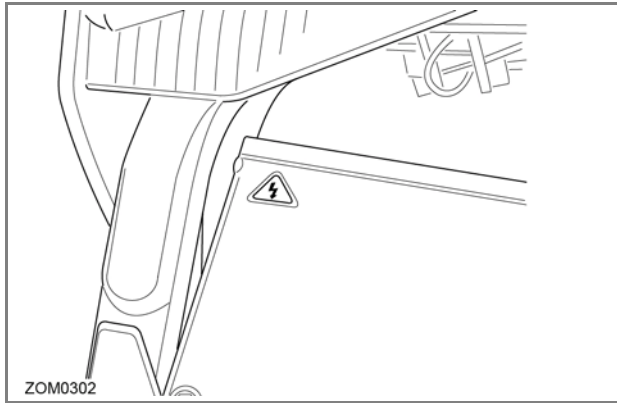
Location of Important Labels

Anti-Tamper Control Label (Europe only)

The anti-tamper control label (shown below) is located on the left-side of the frame.



High Voltage Warning Label

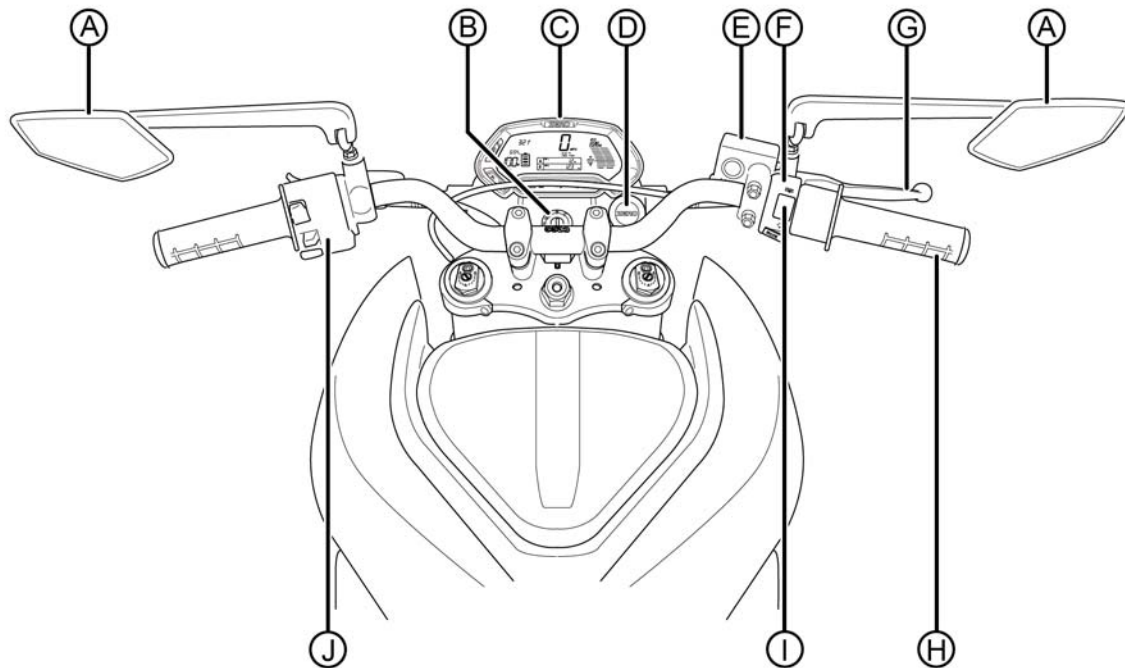


Affixed to battery

THIS PAGE INTENTIONALLY LEFT BLANK

Controls and Components

Motorcycle Controls



ZOM0243

A. Mirrors

This motorcycle is equipped with convex mirrors. A convex mirror has a curved surface. Convex mirrors offer a greater field of view than a similar flat mirror. However, the greater field of view makes objects seem further away than they really are. Care must be used when judging the distance of objects seen in these mirrors.

B. Key Switch/Steering Lock

For description and operation see [“Key Switch/Steering Lock Positions”, on page 4-4](#)

C. Dash Overview

For description and operation see [“Dash Overview”, on page 3-8](#)

D. Cavity for Accessory 12 Volt Socket

Location for Zero dealer-installed 12 volt accessory socket.

E. Front Brake Fluid Reservoir

For description and operation see [“Brakes”, on page 5-9](#).

F. Right Handlebar Control

For description and operation see [“Handlebar Controls”, on page 3-16](#).

G. Front Brake Lever

For description and operation see [“Handlebar Controls”, on page 3-16](#).

H. Throttle Control

For description and operation see [“Handlebar Controls”, on page 3-16](#).

I. Motor Stop Switch

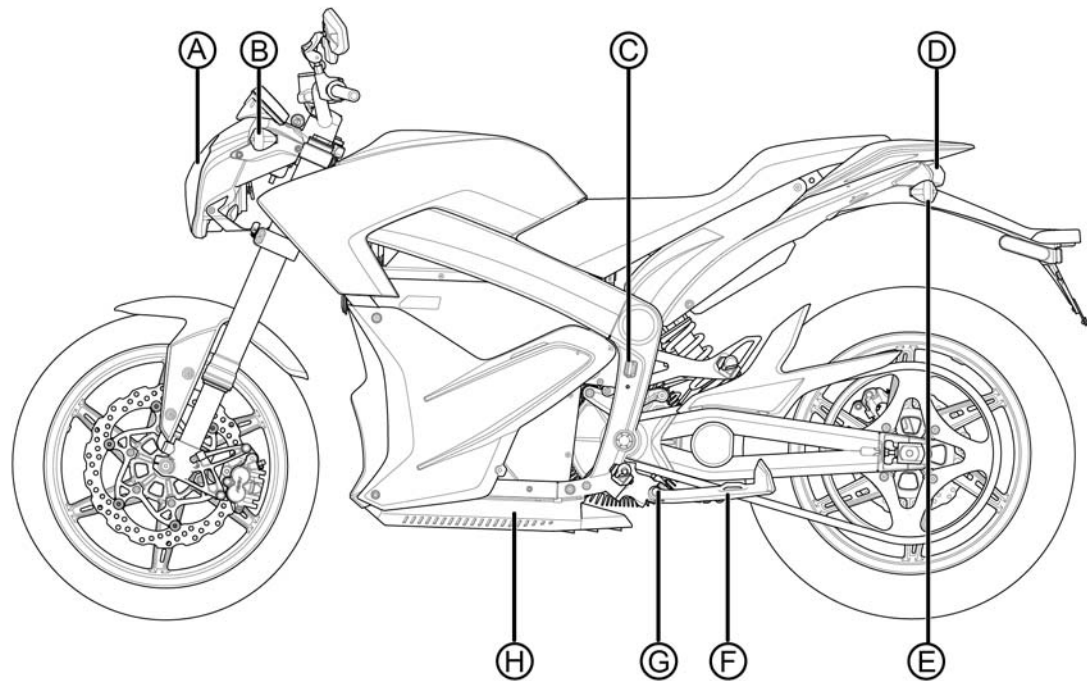
For description and operation see [“Handlebar Controls”, on page 3-16](#).

J. Left Handlebar Control

For description and operation see [“Handlebar Controls”, on page 3-16](#).

Controls and Components

Left Side View



ZOM0214

A. Headlight

- For headlight operation, see “Handlebar Controls”, on page 3-16.
- For headlight bulb replacement, see “Headlight Bulb Replacement”, on page 5-17.
- For headlight alignment, see “Headlight Alignment”, on page 5-16.

B. Front Turn Signal

- For turn signal operation, see “Handlebar Controls”, on page 3-16.
- For turn signal light bulb replacement, see “Turn Signal Light Bulb Replacement”, on page 5-19.

C. AC Charger Power Connection

For description and operation, see “Power Pack”, on page 4-6.

D. Brake/Tail Light

For brake/tail light bulb replacement, see “Brake/Tail LED Replacement”, on page 5-19.

E. Rear Turn Signal

For turn signal operation, see “Handlebar Controls”, on page 3-16.

F. Kickstand

The kickstand swings out from the side and supports

the motorcycle when parked. The key switch should be in the OFF position when parked.

G. Kickstand Switch

This switch is a safety feature that prevents motor operation when the kickstand is down. If the kickstand were down when riding it could contact the ground causing you to lose control of the motorcycle and cause personal injury.

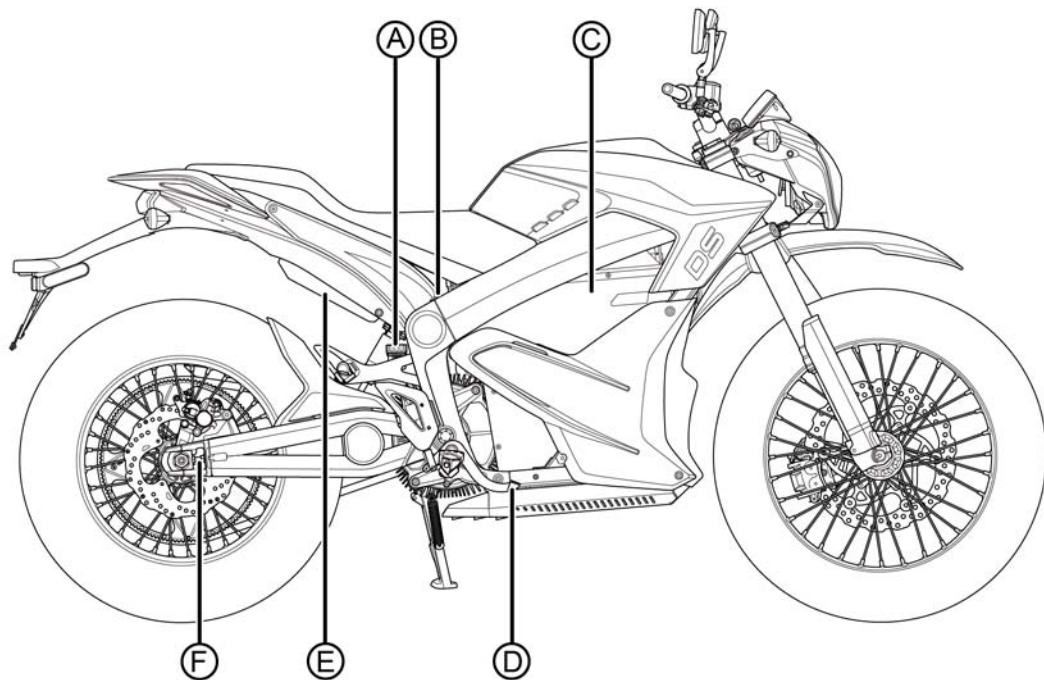
WARNING! Park only on a flat firm surface otherwise the motorcycle could fall over causing damage.

H. Integrated Power Pack Charger

For description and operation, see “Power Pack”, on page 4-6.

Controls and Components

Right Side View



ZOM0213

A. Rear Break Fluid Reservoir

See “Rear Brake”, on page 5-11

- ## B. Auxiliary Power Pack Charging Connection
- For description and operation see “Quick Charging (Off Board Accessory Charger)”, on page 4-11. The auxiliary connector is located above the motor.

C. Power Pack

For description and operation see “Power Pack”, on page 4-6.

D. Rear Brake Pedal

The rear brake pedal controls the rear brake when the pedal is pressed. When braking, the throttle should be in the closed position. The brake light illuminates when the rear brake pedal is applied.

E. Brushless Motor Controller

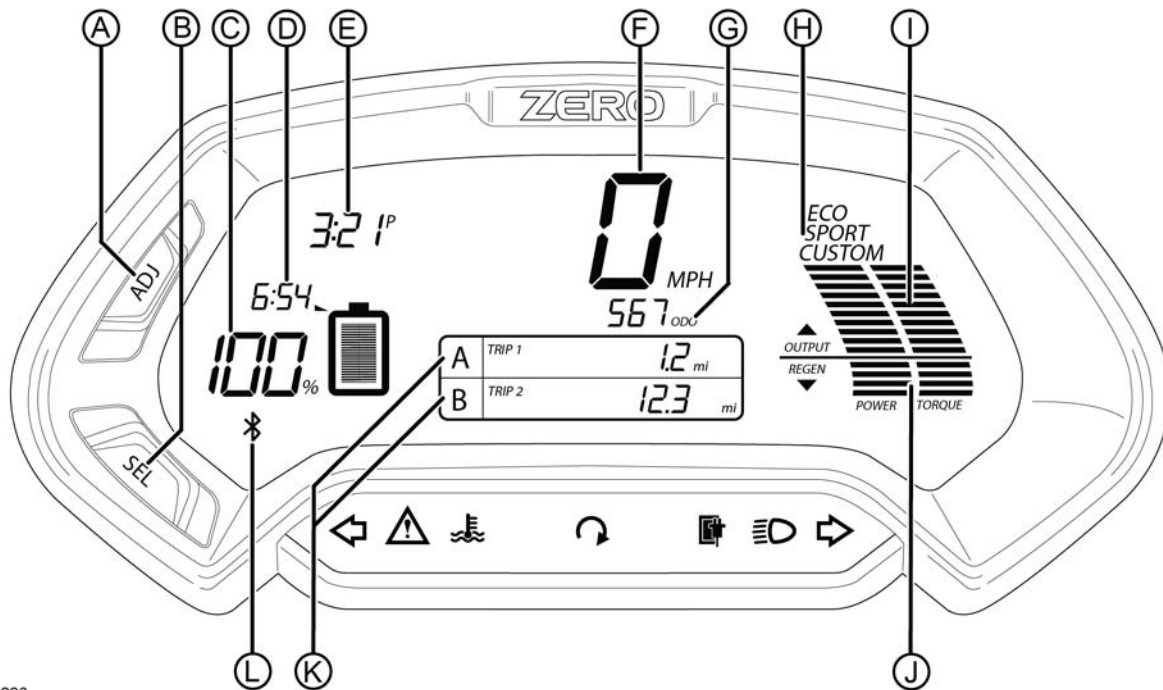
Precisely “meters” the flow of electricity from the power pack to the motor according to the action of the throttle and surrounding conditions.

F. Drive Belt Tension Adjuster

See “Checking Drive Belt Tension”, on page 5-14 for additional information.

Controls and Components

Dash Overview



ZOM0226

A. Adjust Button (ADJ)

See *“Dash Settings”, on page 3-12.*

B. Select Button (SEL)

See *“Dash Settings”, on page 3-12.*

C. Charge Indicator

This indicator and readout displays the amount of energy remaining in the power pack, similar to the fuel gauge on a gasoline powered vehicle.

D. Remaining Charge Time Indicator

This area displays the amount of time left for the power pack to reach full charge.

E. Clock

The clock displays time in standard (AM/PM) or 24 hour mode. See *“Setting the Clock”, on page 3-13*

F. Speedometer

The speedometer is a digital display in either kilometers per hour (km/h) or miles per hour (mph). See *“Unit Display - Speed”, on page 3-14*

G. Odometer

The odometer displays the total distance the motorcycle has been ridden in kilometers or miles.

H. Performance Modes

This area displays which performance riding mode (**ECO**, **SPORT**, and **CUSTOM**) has been selected by

the rider using the performance level mode button located on the right handlebar control assembly. See *“Performance Level Mode Button”, on page 3-19*

I. Output Meter

The **OUTPUT** meter indicates the amount of **Torque** applied to the rear wheel and the **Power** (energy) being used while riding.

J. Regen Meter

The regenerative (**REGEN**) meter indicates the amount of **Torque** on the rear wheel and the **Power** (energy) feeding back into the battery of the motorcycle during the regenerative braking process.

K. Displays A&B

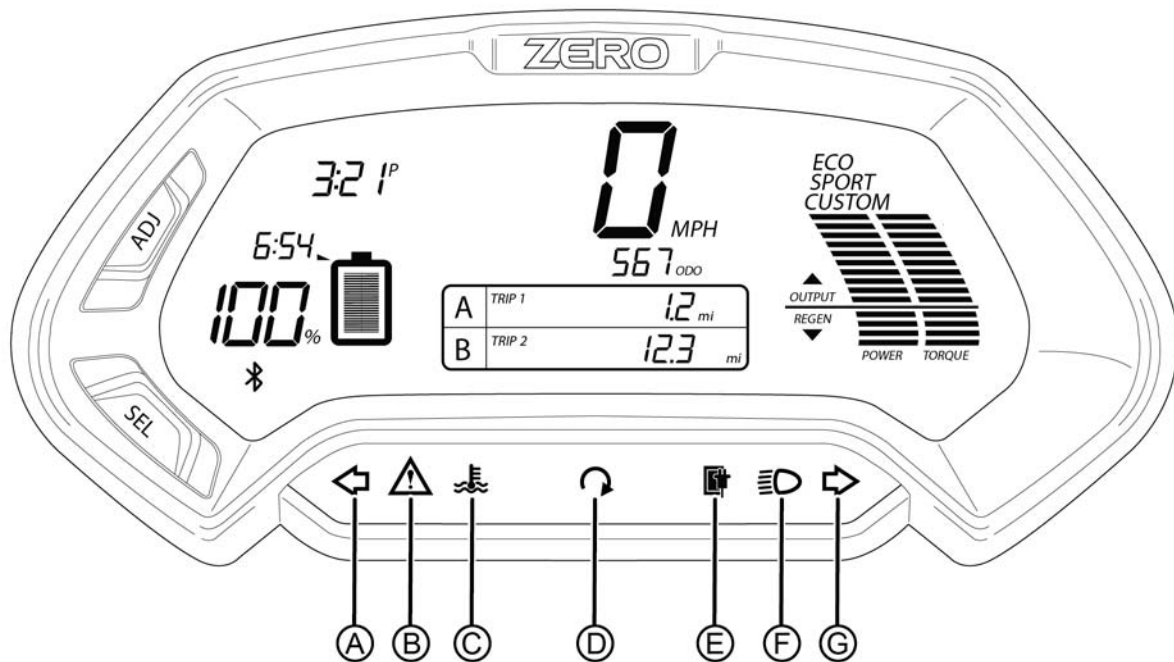
Displays A&B can be customized to display functions which include Trip odometers, Range, Errors, RPM, Trip Average, Lifetime Average, and Temperature. All are accessible by using the **ADJ** and **SEL** buttons. See *“Dash Settings”, on page 3-12.*

L. Bluetooth® Indicator

This indicator displays when an active Bluetooth® equipped smartphone is paired with the motorcycle. For Pairing instructions, see *“Bluetooth® Pairing”, on page 3-15*

Controls and Components

Warning Indicator Lights



ZOM0230

A. Left Indicator Turn Signal



An arrow on the lower dash flashes green in the same direction as selected by the turn signal switch. This arrow remains on until the turn signal request has been canceled.

B. System Warning Indicator



If a fault has been detected, count the number of times the red LED flashes. See the table on [“System Warning Indicator”](#), on page 6-2

C. Temperature Lamp



This flashes in the event that you exceed the motorcycle's performance capabilities. The temperature warning lamp indicates the temperature of the motor, controller temperature, or the battery over/under temperature. See [“Temperature Indicator”](#), on page 4-14 for more information.

D. Armed Indicator



Indicates the motorcycle is live or ready to move if the throttle is actuated. For troubleshooting, see [“Troubleshooting Your Motorcycle”](#), on page 6-1.

E. Charging Indicator



Flashes slowly when the motorcycle is accepting a charge. The indicator flashes rapidly when a charging error is detected. The indicator is solid green when the battery is completely charged.

F. High Beam Indicator



When the headlight high beam is on, this indicator illuminates blue, and remains on until the high beam is turned off.

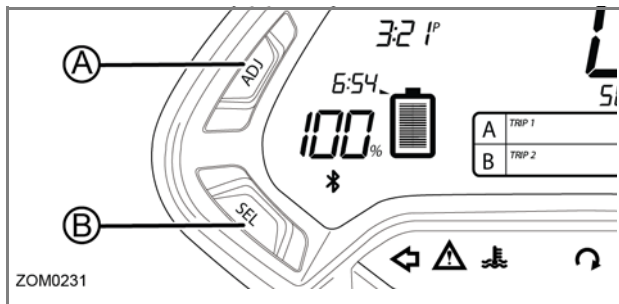
G. Right Turn Signal Indicator



An arrow on the lower dash flashes green in the same direction as selected by the turn signal switch. This remains on until the turn signal request has been canceled.

Controls and Components

Dash Settings



The displays on the dash can be customized to your personal preferences by using the **ADJ** (Adjust) and **SEL** (Select) buttons.

A. Adjust Button (ADJ)

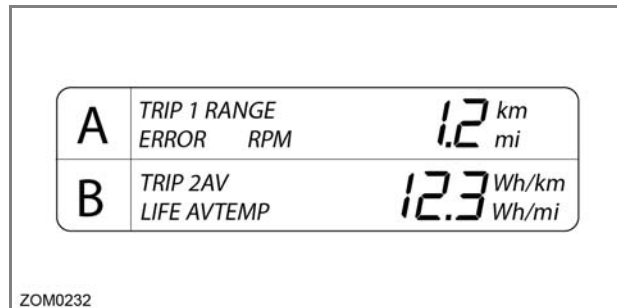
By momentarily pressing or holding the **ADJ** button you can reset fields and toggle through the trip menus and display options.

B. Select Button (SEL)

By momentarily pressing or holding the **SEL** button you can reset or select fields in Display A and Display B, change the time, and change the display units.

Note: Once a feature is selected, it will stop flashing after 15 seconds if no further button press is detected, and the dash will return to its normal operating mode.

Displays A&B



Display A

To select Display A with the dash in its normal operating mode, momentarily press the **SEL** button once. Press the **ADJ** button to toggle through the following fields:

- Trip 1 Odometer - Displays individual trip mileage and is reset by pressing and holding the **ADJ** button for 2 seconds.

Note: Trip 1 is reset each time the battery is recharged to 100%.

- Range - Displays remaining battery power based on learned riding style and usage.
- Errors - Displays 4-digit error codes for dealer use.
- RPM - Displays motor RPM.

Display B

To select Display B with the dash in its normal operating mode, momentarily press the **SEL** button twice. Press the **ADJ** button to toggle through the following fields:

- Trip 2 Odometer - Displays individual trip mileage and is reset by pressing and holding the **ADJ** button for 2 seconds.
- Trip AV - Displays the average energy usage during duration of Trip 1 in watt hours (Wh), per mile (mi), or kilometer (km), depending on the currently selected display unit.

Note: The Trip AV is reset each time the battery is recharged to 100%

- Temp - Displays the temperature of the motor, battery, and controller in Fahrenheit (F) or Celsius (C).

Note: The temperature may not read accurately during the first 5 miles of a ride while the application is calibrating itself.

- Life AV - Displays the average energy usage over the life of the motorcycle in watt hours (Wh), per mile (mi), or kilometer (km), depending on the currently selected display unit.

Setting the Clock



To set the clock with the dash in its normal operating mode, press and hold the **SEL** button for 5 seconds, then momentarily press the **SEL** button once more. The clock display will start to flash.

- Hours - Press and release the **ADJ** button to increase the hour setting.
- Minutes - Press and release the **SEL** button once to select the minute display, then press and release the **ADJ** button to increase the minute setting.
- Standard or 24 Hour Mode - Press and release the **SEL** button to select the time format, then press the **ADJ** button to select P (am/pm mode) or 24:00 (24 hour mode).

Controls and Components

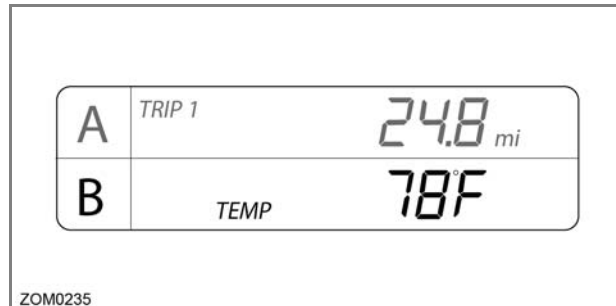
Unit Display - Speed



To change the units that speed is shown in:

1. With the dash in its normal operating mode press and hold the **SEL** button for 5 seconds.
2. Momentarily press the **ADJ** button to select English (MPH) or metric (km/h).
3. Momentarily press the **SEL** button to return to normal operating mode.

Unit Display - Temperature



To change the units that the temperature display is shown:

1. With the dash in its normal operating mode press and hold the **SEL** button for 5 seconds.
2. Momentarily press the **SEL** button 4 times, the Temp icon on the lower dash will start to flash.
3. Press the **ADJ** button to toggle between F or C on the display.
4. Momentarily press the **SEL** button to return to normal operating mode.

Smartphone Application

You can download a smartphone application that lets you perform the following tasks related to your motorcycle:

- Adjust the CUSTOM mode for performance gains
- Collect and email logs to Zero support staff
- Examine the precise State of Charge (SOC) of your motorcycle
- Examine real time power usage

The Smartphone application is available for free at both the Apple iTunes store and Google Play store. iTunes® is a registered trademark of Apple. Google Play® store is a registered trademark of Google.

Bluetooth® Pairing

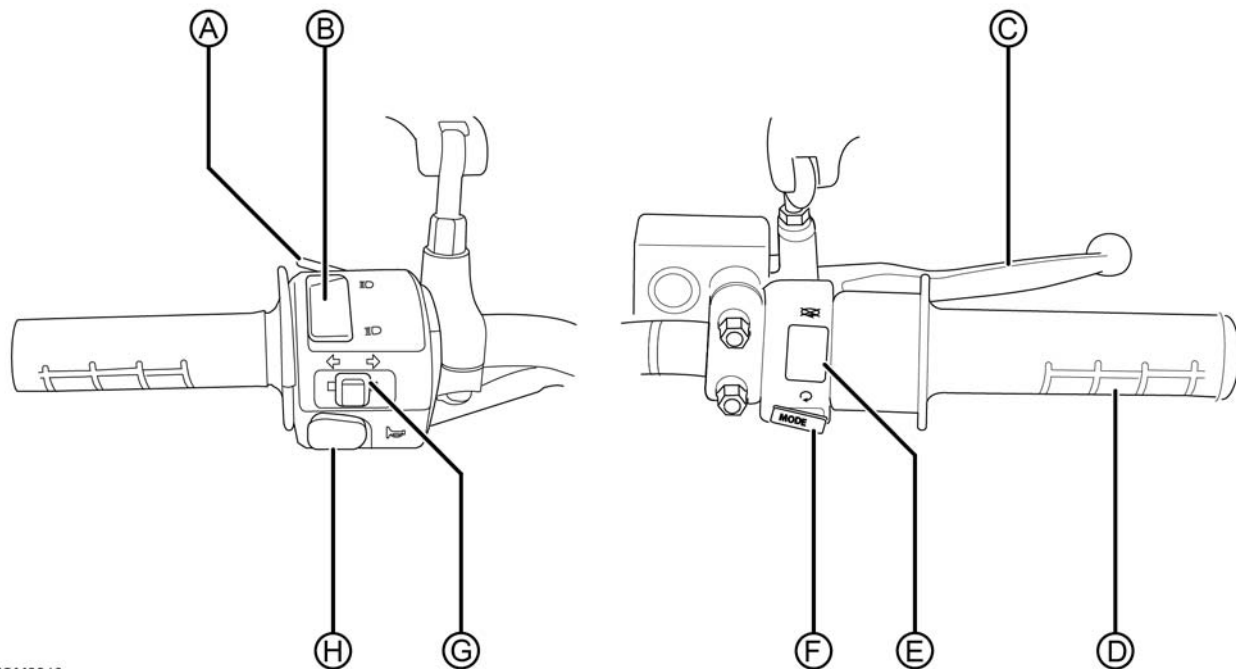
The following steps must be taken to properly pair a Bluetooth®-equipped smartphone with your motorcycle.

1. Ensure that the motorcycle is not Armed. The motorcycle must be keyed ON, the kickstand must be in the down position, and the run switch must be in the Stop position.
2. Press and hold the Mode button on the right handlebar for a minimum of 5 seconds until the Bluetooth® symbol on the dash begins to blink, then you may release the Mode button.
3. Your motorcycle will be discoverable with the Bluetooth® ID of ZeroMotorcyclesXXXXX (XXXXX refers to the last 5 digits of the motorcycle's VIN).
 - For iOS devices, go to the Settings application on your smartphone and locate the Bluetooth® menu and pair with your motorcycle
 - For Android devices, go to the Settings tab in your Zero Android application and choose the button with the Bluetooth® symbol

Note: When the Bluetooth® indicator on the dash display is solid, your motorcycle and smart phone are paired over Bluetooth®.

Controls and Components

Handlebar Controls



ZOM0246

A. Flash-to-Pass

When the headlight is in the low beam position, push the flash-to-pass switch and the high beam illuminates and stays illuminated until the switch is released. When released, this switch defaults back to the low beam position. The high beam indicator also illuminates.

B. Headlight High/Low Beam Switch



When the switch is pushed, the headlight changes from low beam to high beam. It stays in the selected position until it is switched back. When in high beam position, the high beam indicator on the lower dash illuminates.

C. Front Brake Lever

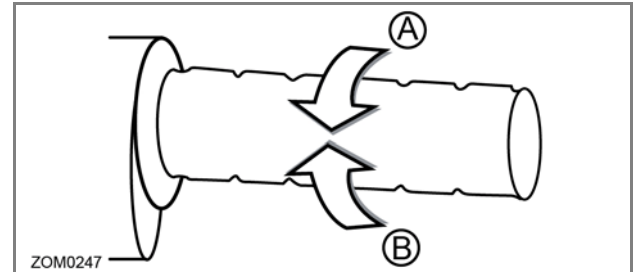
The front brake lever controls the front brake when the lever is squeezed. When braking, the throttle should be in the closed position. The brake light also illuminates.

D. Throttle Control

Twist the throttle in a counter-clockwise rotation (A) to energize the motor and start the motorcycle in a forward direction. Release the throttle and it snaps back to the closed position (B), de-energizing the motor, and regenerative braking begins.

When the motorcycle is moving and the throttle control is in the fully closed position, the regenerative

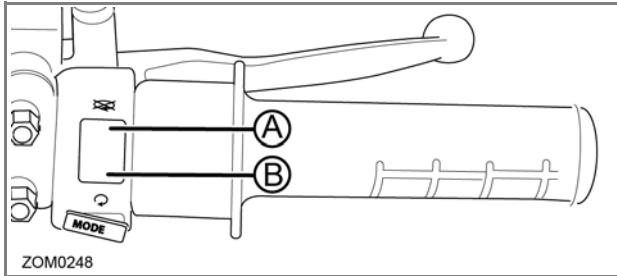
braking feature activates. Regenerative braking takes some of the energy from the moving motorcycle and turns it back into electrical energy. This energy is then stored back into the power pack, contributing to increased energy efficiency. A slight drag is felt when the regenerative braking is activated. If you want to coast without the regenerative braking, hold the throttle just off of the fully closed position.



Controls and Components

E. Motor Stop Switch

When the top of the switch (A) is pressed, it cuts off power to the motor controller. The motor controller remains in this state until the bottom portion of the switch (B) is pressed. The switch does not turn off all electrical circuits, just the operation of the motor.



F. Performance Level Mode Button

The performance level button (A) toggles between **ECO**, **SPORT**, and **CUSTOM** modes. (refer to *“Performance Level Mode Button”, on page 3-19*)

G. Turn Signal Switch

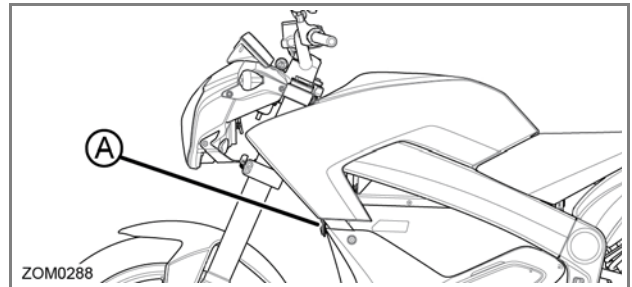


When the turn signal switch is pushed in the left or right position, the corresponding front and rear turn signals flash. When the turn signal switch is ON, the corresponding turn signal indicator on the lower dash illuminates.

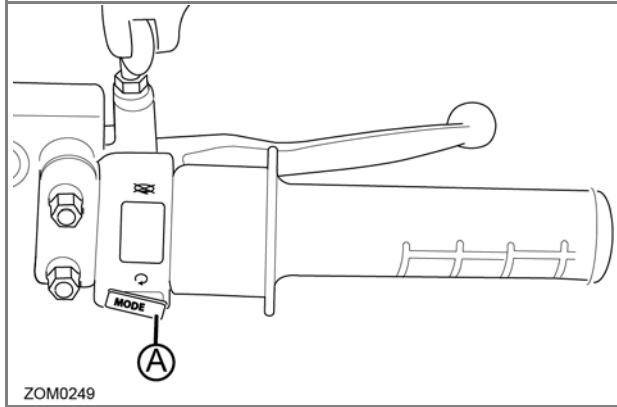
Always signal your turns and other maneuvers as required by law. Unlike an automobile, the turn signals must always be canceled manually on the motorcycle. Push in on the switch and it returns to the center, or, OFF position.

H. Horn Button

When the key is in the ON position, the horn (A) sounds when the button is pressed. Electric vehicles run quietly; the horn can be used to warn pedestrians or other motorists of your presence.



Performance Level Mode Button



The performance level mode button (A) toggles between **ECO**, **SPORT**, and **CUSTOM** modes. You can switch between performance modes while riding but the change will not be executed until the throttle is returned to the closed position.

The **ECO** selection reduces the acceleration and top speed of the motorcycle. It is an ideal mode for when you want softer acceleration. This position is also good for newer riders and for extending range.

The **SPORT** selection causes the motorcycle to accelerate at a significantly faster rate. This position is recommended for advanced riders.

The **CUSTOM** selection has customizable performance settings by using the smartphone application (refer to *"Smartphone Application"*, on page 3-15).

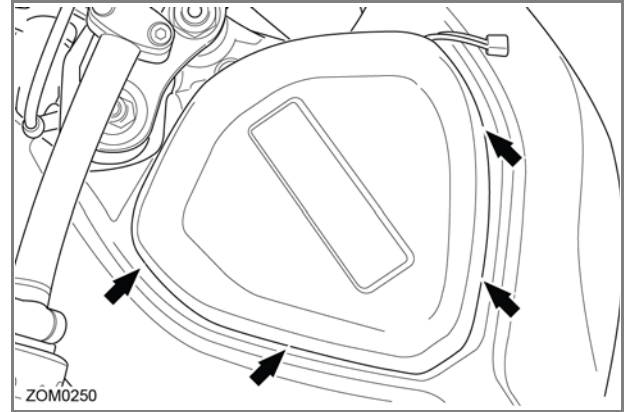
Those who take advantage of the **ECO** position are likely to see a slight increase in range and experience greater regenerative braking.

Controls and Components

Tank Bag

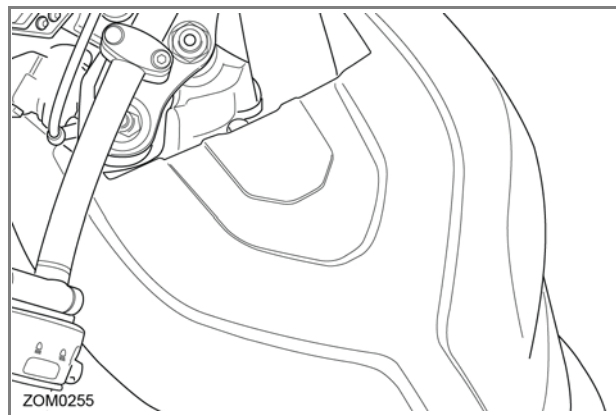
Your Zero motorcycle makes use of a tank bag for additional storage. You can remove the tank bag by pulling upwards on its sides.

Note: Before riding your Zero motorcycle, secure the tank bag with the lock (above the tank bag). At high speeds the bag could eject, if is not secured.



Power Tank (if equipped)

If your Zero S/SR/DS motorcycle is equipped with a dealer-installed optional equipment Power Tank in place of the tank bag, the power pack size will be increased from a ZF11.4 to a ZF14.2, which increases charge time and riding range.



First Time Set-Up

If your motorcycle was direct-shipped you will need to perform the following:

1. Remove the motorcycle from its shipping crate. See [Unpacking Your Zero motorcycle on page 4.2](#).
2. Your Zero motorcycle is shipped fully charged from the factory. If necessary, see [“Power Pack”, on page 4.6](#).
3. Identify and inspect wheels for spoke tension and/or damage (DS only).
4. Check the tire pressure and adjust to proper specifications. See [“Tire Inflation”, on page 5.13](#).
5. Inspect the hydraulic brake system. Follow the hydraulic line from the reservoirs to the calipers and verify that there are no leaks or damage to the brake lines. Verify that the brakes function properly.
6. Make sure the motorcycle key switch is OFF, then twist the throttle to make sure its rotation is smooth, and it returns correctly.
7. Inspect bolts and make sure they are tight. See [page 5.9](#) for general maintenance information. Double check the fork, wheel, and brake bolts.
8. Insert the key in the key switch and turn the key to the ON position. The gauge performs a self test sweep. The charge indicator should read fully charged.

Starting and Operating

Unpacking Your Zero Motorcycle

Although unpacking your Zero motorcycle can be done by a single person, it is recommended to have a second person to help lift and remove your motorcycle from the crate base.

Outer Box Cover

- Cut and remove the two outer box retention straps.
- Unscrew stabilizer bar bolts, one on each side of outer box.
- Open box top and remove inner cardboard end reinforcement sleeves.
- Unscrew stabilizer bar from handlebar end and remove.
- Unscrew lower crate cover retaining screws and washers.
- Lift or cut outer box away from motorcycle.

Inner Assembly

- Carefully remove plastic cover from motorcycle.
- Locate small parts box below motorcycle and put to the side. (This box contains important documentation, owner's manual, keys, etc.).
- Remove the tie down straps from crate base.
- Carefully lift rear portion of the motorcycle over the swingarm standoff and off crate base.

- Carefully lift front wheel out of crate base.
- Deploy kickstand, lean motorcycle and inspect in accordance with delivery inspection sheet.

Recycling

Your Zero Motorcycles shipping crate and packaging materials were designed to be completely recycled. Please cut down and recycle all cardboard, plastic, and wood materials in appropriate receptacles.

The tie down straps that accompanied your motorcycle can be reused as regular tie down straps.

General Operation

This section describes several items you should examine before operation.

Pre-Ride Inspection

Before operating your Zero motorcycle, check the following to make sure the motorcycle is secure and intact:

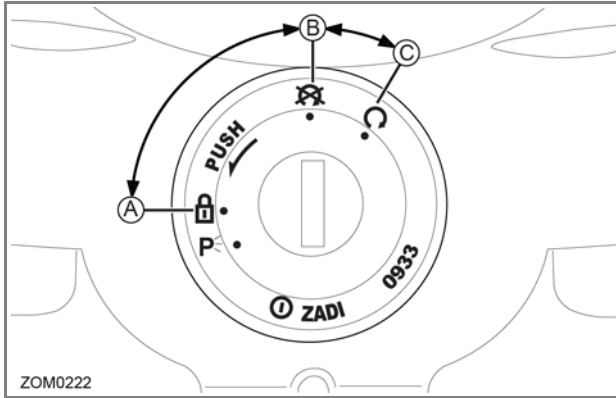
- **Power Pack.** Make sure the charge indicator on the lower dash is indicating a charged power pack. We suggest you recharge before use. Always keep the charger cord with the motorcycle.
- **Drive Belt.** Check the belt tension and condition. Adjust if necessary. See *“Drive Belt”, on page 5.14.*
- **Brakes.** Squeeze the brake lever and press the brake pedal individually while pushing the motorcycle to see if it rolls. You should be able to lock-up the wheels completely by applying the brakes.
- **Throttle.** With the key switch in the OFF position, apply the throttle and release to verify that the throttle is smooth and returns correctly.
- **Tires.** Check both tires for condition and tread depth. Check cold tire pressure frequently. Check for damage and alignment. Maintain correct tire pressure as specified on *page 5.13*. Replace the tires when the tread height is 0.08 in (2 mm) or less.

CAUTION: Under-inflation is a common cause of tire failure and may result in severe tire cracking, tread separation, “blowout,” or unexpected loss of motorcycle control causing serious injury or death. Inspect tires regularly to ensure proper inflation levels.

- **Electrical System.** Check for correct function of the headlight, turn signals, and the brake/tail lights.
- **Protective Covers.** Confirm protective covers for power pack diagnostic connector, Quick Charge connector, and onboard charging connector are installed correctly.

General Operation

Key Switch/Steering Lock Positions



This is a three-position switch that is located on the fork in front of the handlebar. The switch positions are as follows:

- Steering Lock (A)
- OFF (B)
- ON (C)

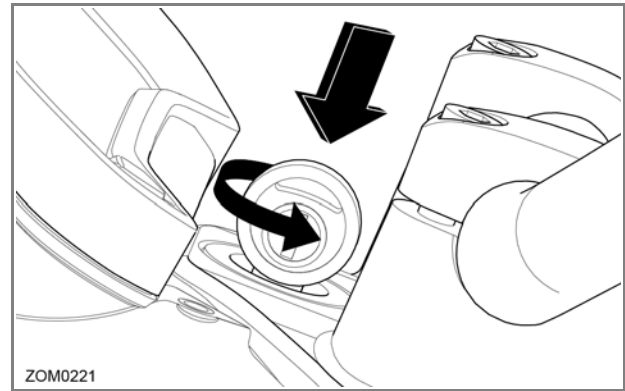
The key should be removed from the motorcycle when parked to prevent theft. The key can be removed in either the OFF or steering lock position.

Steering Lock

Using the steering lock when parked prevents unauthorized use and helps prevent theft.

To operate the steering lock

1. Turn the handlebar all the way to the left.
2. Push the key down from the OFF position and turn the key counter-clockwise while still pushing it in.



3. Remove the key.

To unlock the steering lock

1. Install the key and turn clockwise.
2. Remove the key.

OFF Position

This position is used to turn the motorcycle OFF, disabling the electrical system.

ON Position

This position is used for operating the motorcycle. In this position the following sequence occurs:

- Lights turn ON
- Dash display turns ON

General Operation

Power Pack

The battery is located within the power pack and requires no special break in period.

The 2014 Zero S/SR/DS leverages the 2013's battery cell chemistry, configuration, and enhanced reliability. Not only does the Z-Force® technology enable you to go longer distances (range may vary depending on riding type and conditions), it is also designed to last the life of the motorcycle. The integrated onboard charger minimizes charge time and can work in parallel with Zero's quick charge accessories to cut charge times by as much as 70%.

The charging time will remain the same if the onboard charger is connected to a 120 V AC or a 240 V AC supply.

The normal recharging time of the power pack to a 100% charge is usually less than 6 hours for the ZF8.5 and 7.9 hours for ZF11.4 in mild ambient temperatures. Out of the normal temperature range, charging and run-time times will vary. The power pack should not be used outside of the range of 23°F to 140°F (-5°C to 60°C); the Battery Management System (BMS) turns off the power controller outside of this range.

Note: The Battery will not charge if below 0°C or 32°F.

Plug your motorcycle into an AC power source to recharge it after each use. Once recharged, disconnect from the AC

power source. Leaving your motorcycle unplugged between charges will maximize the long-term health of the power pack.

While unplugged with the key in the OFF position, the motorcycle's electronics will consume a very small amount of power and the power pack will drain extremely slowly. If you don't ride for an extended period of time (30 days or more), you may want to plug the motorcycle into an AC power source to charge it for a few hours prior to your next ride.

The power pack must be charged within 24 hours if fully discharged. If stored long-term, check the state of charge at least monthly and charge it back up to 60% if it has dropped below 30%. See [“Parking and Long Term Storage”](#), on page 6.27 for more information.

Battery Management System (BMS)

Every power pack contains a Battery Management System (BMS) which monitors the condition of the cells, and optimizes the charging process to provide the highest-performance, longest-range, and longest life for the power pack.

The BMS safeguards the power pack by means of safety interlocks. These interlocks turn off or control certain operations that could damage the power pack. See *“Safety Interlocks”*, on page 6.14 for more information.

The BMS also monitors the power pack for a host of predefined conditions, and then takes actions according to those conditions. See, *“Battery Management System”*, on page 6.6 and *“Cold and Hot Weather Considerations”*, on page 6.12 for further information.

The BMS is sealed inside the power pack. As a rider, you don't need to think much about the BMS - it just silently does its job as you charge, ride, and store your motorcycle.

Add On Electrical Equipment

WARNING! Do not add electrical components to your motorcycle unless approved by an authorized Zero Motorcycles dealer. Some add-on electrical components can damage your motorcycle, prevent other components from working as they should, and/or dramatically reduce the range and/or life expectancy of the power pack.

Power Pack Charger

Connect your power pack to the charger after each use. Once recharged, disconnect from the AC power source. Leaving your motorcycle unplugged between charges will maximize the long-term health of the power pack. You should use the supplied cable as it is designed for use with your motorcycle's electrical components. The power pack must be charged within 24 hours if fully discharged. If you don't ride for an extended period of time (30 days or more), you may want to plug the motorcycle into an AC power source to charge it for a few hours prior to your next ride.

WARNING! Only charge the Zero power pack with the Zero charger. The charger is located under the power pack.

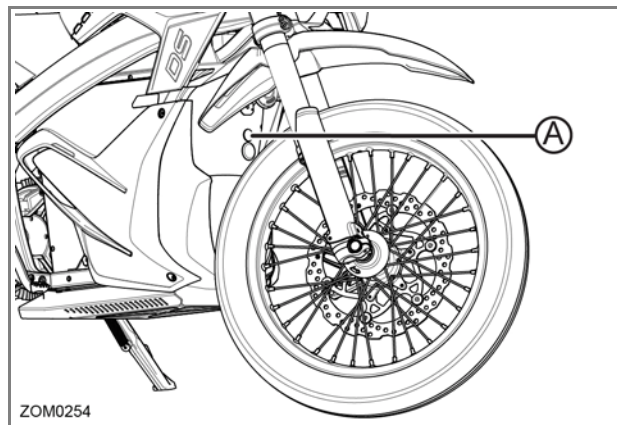
When charging the motorcycle's power pack, the charger can be left ON, even after the power pack is fully charged. But unplugging your motorcycle after it is fully charged will

General Operation

maximize long-term power pack health. If left connected, there are two possible cases that can occur:

- When connected to the charger, the power pack will receive a full charge. Once fully charged, the charger will cycle between 90% and 100% state of charge. When the state of charge gets close to 90%, the charger will recharge to 100% and repeat. When fully charged, a green light illuminates on the charger. Should the charger not read that the power pack is full, it continues to attempt to fully charge the power pack. In this event the green light may not illuminate; however, the power pack may be fully charged. To ensure that the power pack is charged, check the charge indicator on the dash display prior to riding.
- If the power pack terminates the charge before the charger reaches the state previously mentioned, then the charger continues to cycle and tops off the power pack until the power pack is removed from the charger, or the charger reaches the complete state previously noted.

The onboard charger LED indicator (A) is visible through the front of the battery housing. A circular lens displays the colored LED's status of the charge.



When charging the motorcycle, the LEDs flash from left to right, then the LEDs display how much of the battery (on a score of 1 to 4) is charged. Next the LEDs cycle from left to right once more. For example, if 3 of the 4 LEDs are illuminated, the battery is 3/4 charged. Refer to [“Battery Management System”](#), on page 6.6 for more information.

Charging the Power Pack

WARNING! Charge the Zero power pack with the Zero charger.

It is possible for lithium ion cells to overheat and fail.

Note: Charge the Zero Power pack in a location that is well-ventilated and away from combustible materials. If charging your Zero motorcycle outdoors, avoid charging in the rain.

The maximum power pack internal charging temperature is 131°F (55°C). If the power pack's internal temperature is over 131°F (55°C), it will not accept a charge until it is moved to a cooler location. Also, if the power pack has just been run hard, it may internally be above 131°F (55°C) even if the ambient temperature is lower.

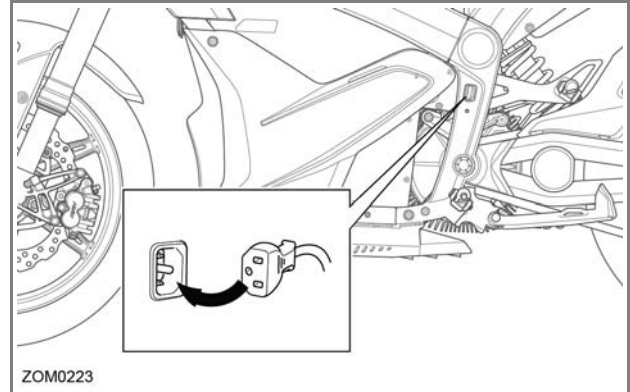
If you experience a power pack that will not take a charge, you should ensure the internal temperature is below 131°F (55°C). If the power pack was recently run and it will not take a charge, the power pack should cool and begin taking a charge in around 30 minutes or less.

The maximum charging temperature cutoff is a power pack longevity feature. Charging at higher temperatures can shorten the life of the power pack.

Note: Frequent top off charging is good for the power pack's life span, so do not hesitate to charge frequently.

To charge using the standard charger:

1. Plug the supplied power cord (A) into the onboard charger connector. Always keep the power cord with the motorcycle.

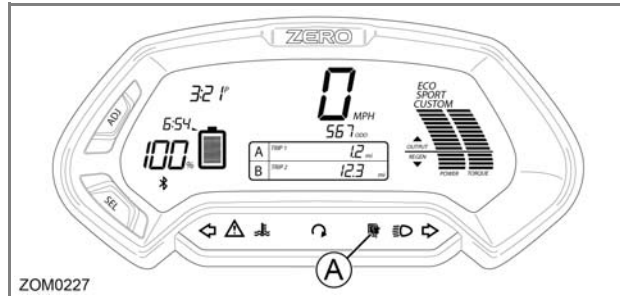


2. Always connect the charger to a GROUNDLED outlet. When using an extension cord, avoid excessive voltage drops by using a grounded, 3-wire, 12-AWG cord no longer than 7.6 m (25 ft). The charger can be used on 120 V AC or 240 V AC current. The voltage does not change the amount of time that the motorcycle takes to charge.

General Operation

Note: AVOID connecting the Zero charger and another device to a single 120 V AC 15A/20A circuit, as it may become overloaded. Zero chargers draw as much as 12 amps from the 120 V AC circuit when charging.

3. The charging icon (A) flashes as the battery is being charged. Once charging is complete, the icon stays illuminated



4. Charging a fully discharged power pack to 100% takes about:
 - ZF8.5 6 hours
 - ZF11.4 7.9 hours

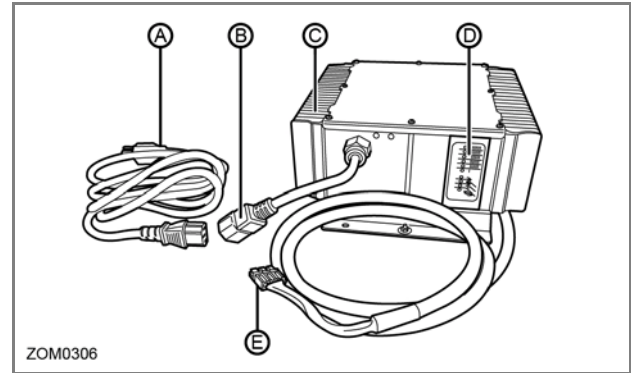
Note: The charging icon is solid green when fully charged and plugged into the charger.

Quick Charging (Off Board Accessory Charger)

The “scalable” quick charging feature allows up to three supplemental accessory chargers (in addition to the existing integrated charger) to be connected to the motorcycle. Use of supplemental accessory chargers can reduce the charging time by up to 70%.

Note: The time for charging the motorcycle using quick charging will vary with the number of chargers used.

The accessory charging connector is located above the motor. For more information on how to connect additional chargers, refer to the quick charger’s owner’s manual.



- A. AC Power Cord
- B. AC Power Cord Connection
- C. Power Pack Charger
- D. Charger LED Indicators
- E. Connector (to motorcycle)

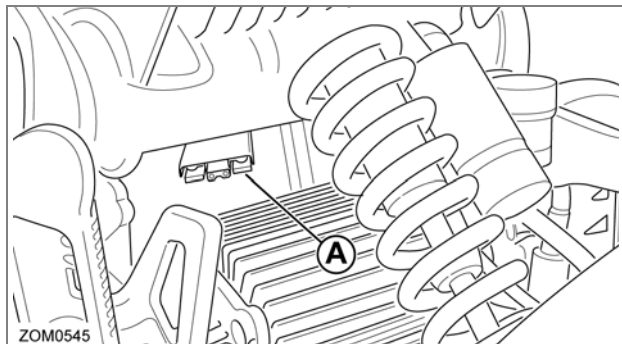
General Operation

Using the Quick Charger

To charge using a Quick Charger:

Note: If you connect the on-board charger (see [“Charging the Power Pack”, on page 4.9](#)) prior to connecting the Quick Charger, it will start charging without the ON and OFF key cycle (in step 1 and number 7)

1. Ensure that the key switch is in the ON position.
2. Ensure that the Quick Charger is unplugged and unpowered.
3. Locate the accessory charging connector (A) and remove the protective cover.

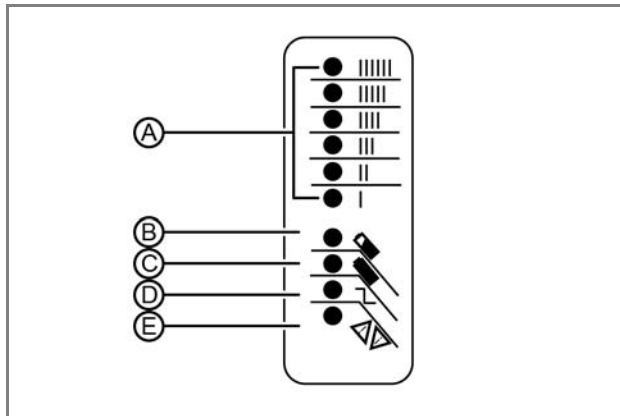


4. Connect the Quick charger to the power pack connector (A). You should hear the contactors close

and the current State of Charge (SOC) should display on the dash.

5. Plug in the AC Power Cord to an AC power outlet. Always connect the charger to a GROUNDED outlet. When using an extension cord, avoid excessive voltage drops by using a grounded, 3-wire, 12-AWG cord no longer than 25 ft (7.6 m). The charger can be used on 120 V AC or 240 V AC current. The voltage does not change the amount of time that the motorcycle takes to charge.
6. Connect the AC Power Cord to the AC Power Cord Connection on the off-board accessory charger. See [“Quick Charging \(Off Board Accessory Charger\)”, on page 4.11.](#)
7. The green charge LED on the dash will begin blinking steadily to indicate charge flow. If the key switch was turned to the ON position, now turn it to the OFF position.
8. When the green charge LED becomes solid or the SOC reads 100%, the battery system is fully charged, disconnect the charger. When the power pack is fully charged, disconnect the charger(s) and reinstall the protective cover in order to reduce water ingress, which can trigger dash warning lights.

Quick Charger LED Indicators



A. Ammeter

The Ammeter LED is an amber indicator that indicates the amount of current output and should gradually ramp down from “||||||” to “|”.

B. 80% Charge

The 80% Charge LED is an amber indicator. If it is on solid, the bulk charge phase is complete, 80% charged. Charger is now in absorption phase. If the indicator is flashing, there are two issues that can cause this to occur:

- The charger and BMS are balancing.
- The BMS is cutting off the charge because one or more cells have reached maximum voltage.

C. 100% Charge

The 100% Charge LED is a green indicator. If it is on solid, the charging is complete and the charger will enter maintenance mode. If it is flashing, the absorption phase is complete and the charger is in finish phase.

D. AC ON

The AC ON LED is an amber indicator. If it is on solid, the AC power is good. If it is flashing, the AC voltage is low. Check for proper voltage, and if an extension cord is being used, verify that it is the correct length. Maximum length is 25 ft. (7.6 m) 12 AWG.

E. Fault

The Fault LED is a red indicator which indicates there is a charger error. If it is flashing, reset the charger and see [“Troubleshooting”, on page 6.1.](#)

CHAdEMO Charger

Your Zero motorcycle can utilize an optional quick charging CHAdEMO charger system. A CHAdEMO charger can charge your motorcycle in about one hour. For additional information contact your Zero Motorcycles dealer.

General Operation

Operating Your Motorcycle

This section describes how to safely operate your motorcycle.

Starting

1. Turn the key switch to the ON position.
2. Verify that the charge indicator reads fully charged.
3. Press the motor stop switch to the ON position.
4. With the kickstand up, twist the throttle toward you (counter-clockwise) to increase speed. When the throttle is twisted away from you (clockwise), the speed decreases.

Braking

On the right handlebar is the hand operated brake lever. The brake lever controls the front brake when the lever is squeezed. On the right lower side, next to the foot peg, is the foot operated brake pedal. This pedal controls the rear brake. When braking, the throttle should be in the closed position.

CAUTION: If you apply the front or rear brake hard enough, it is possible to lock the wheels. This could cause you to lose control of the motorcycle and could lead to serious injury or death. Progressive use of the brakes should bring the Zero motorcycle to a complete stop without locking the wheels. Your Zero motorcycle is a light-

weight performance product and therefore practice is strongly recommended to perfect safe emergency stops.

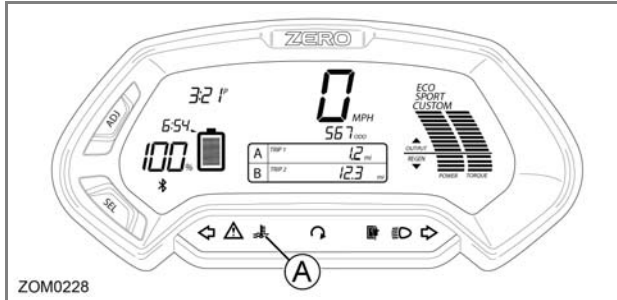
Stopping Your Motorcycle

To stop your motorcycle:

1. With the throttle in the closed position press the motor stop switch to the OFF position. This switch can also be used in an emergency to shut the motor off.
2. Turn the key switch to the OFF position and remove the key. To prevent theft, the key should be removed anytime the motorcycle is left unattended.
3. Be sure to charge the power pack after each ride.

Temperature Indicator

Zero Motorcycles has developed the most advanced passively air-cooled electric powertrain for your Zero motorcycle, delivering an unsurpassed level of simplicity, power/energy density, low weight and ease of maintenance. However, this passively air-cooled powertrain cannot be operated indefinitely at high power / high rpm without reaching its thermal limitations. Hence, your Zero motorcycle has a sophisticated thermal management strategy to ensure the long term performance and durability of its powertrain.



The red temperature indicator light (A) on your Zero motorcycle's lower dash has two informational stages.

- Stage 1, is presented by flashing this indicator and advises you that the bike is about to enter its thermal strategy. To avoid encountering an enforced power reduction, you can choose to slow down a bit until the indicator stops flashing.
- Stage 2, if temperature continues to build, the indicator light will go solid, letting you know that the thermal strategy is now being applied and that your motorcycle's power will be reduced accordingly. If you encounter the strategy while trying to maintain a high vehicle speed, the effect of the strategy will be that your motorcycle will be gradually slowed down to the point that the top speed of the bike is "sustainable," from a thermal standpoint. If you encounter the strategy due to

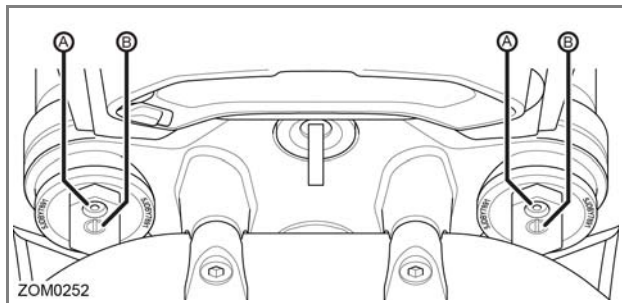
a different sustained high power event, such as continued powering through a low traction surface, power will simply be reduced to ensure the continued safe operation of your powertrain.

Please note that the lighting of this temperature indicator does not indicate that there's anything malfunctioning with your Zero motorcycle; it is simply letting you know that the thermal strategy is working. If you do not moderate your speed/power, the bike's system will reduce your speed/power until your Zero can maintain its maximum allowable thermal state; but no harm whatsoever will result from this, since this is exactly how the strategy is meant to function.

General Operation

Front Suspension Adjustment

A shock has two main actions: compression when the shock gets loaded, and rebound when the shock returns back to full length. Compression damping is the adjustment that determines how fast or slow the fork compresses. Rebound damping is the adjustment that determines how fast or slow the fork rebounds.



Bleed Screw

The 3 mm Allen M5 screw (A) at the top of the fork leg is the “bleed” screw. The bleed screw serves two purposes:

1. Transporting your motorcycle. See *“Transporting”, on page 1.17.*
2. Bleeding the fork: Bleed the fork regularly, let any excess air out after each ride.

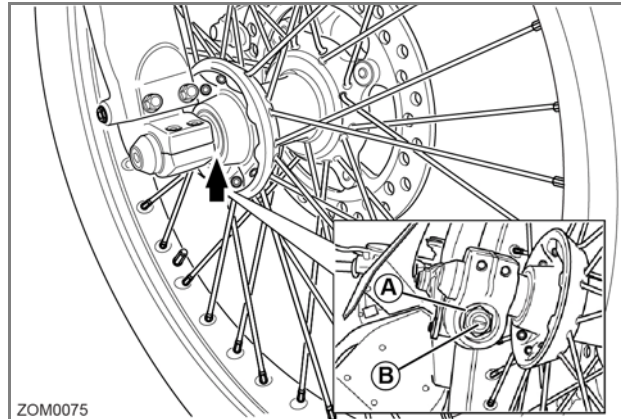
Rebound Damping

The rebound damping is adjusted by turning the slotted brass adjuster screw (B) on the top of both fork legs. Next to the screw are the letters “S-F,” meaning *Slow* and *Fast*. The adjuster has 18 stages of adjustment. This determines how quickly the fork returns to its extended position after being compressed.

- Turning the rebound adjuster screw clockwise slows the rebound speed down making it better for larger, rolling terrain or bumps.
- Turning the rebound adjuster screw counter-clockwise increases the rebound speed making it better for smaller, rougher bumps. Adjust each fork leg evenly.

Compression Damping

The compression damping is adjusted by turning a screw on the bottom of each fork leg. There is a rubber dust cover protecting the jam nut (A) securing the screw (B). The adjuster has 12 stages of adjustment.



- Turn the adjuster clockwise for slower compression.
- To speed up compression, turn the adjuster counter-clockwise.

Start with a middle setting and fine tune the compression from there. Proper compression allows the tire to track the ground over consecutive bumps. Compression that is set

too slow will pack-up (feel harsh over consecutive bumps) while compression that is set too fast will cause the fork to bottom out harshly. If the fork is bottoming out, turn the adjuster one click at a time until the bottom-out stops. Adjust each fork leg evenly. Replace the rubber dust cover after the adjustment.

Note: Adjusters should never be forced completely “Fast” or “Slow”; always leave one click of adjustment in either direction.

Factory Supplied Front Suspension Settings

The following information will allow you to adjust the front suspension back to the factory settings the motorcycle was originally supplied with.

S & SR Models

ADJUSTMENT	SETTING
Front Fork Compression	10 clicks out from fully closed
Front Fork Rebound	10 clicks out from fully closed

DS Models

ADJUSTMENT	SETTING
Front Fork Compression	9 clicks out from fully closed
Front Fork Rebound	10 clicks out from fully closed

General Operation

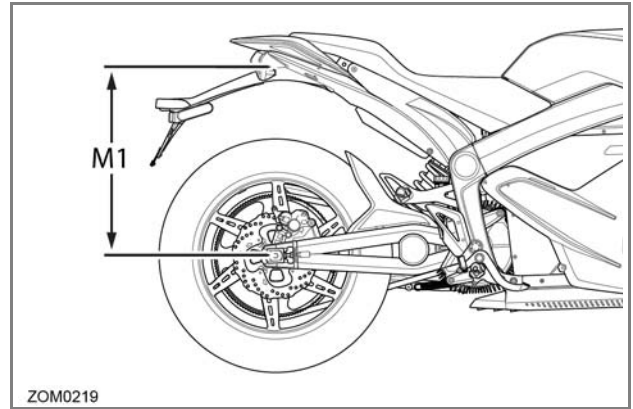
Rear Shock Adjustment

Spring Adjustment

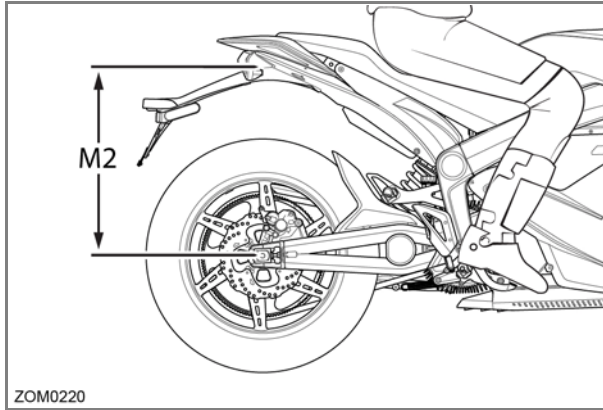
Obtaining the correct rear spring preload is critical for proper handling. The spring preload must be set to match the weight of the rider. The spring is preloaded for an 180 lb (82 kg) rider. This puts the rear tire 1/3 of the way through its vertical travel. Heavier riders require stiffer spring rates. A good approximation of your rear spring requirements can be found by measuring the rear suspension's sag. This measurement quickly determines if your rear spring is approximately correct for your weight. This adjustment is a recommended guideline; personal riding preference may vary from the specifications given.

To Check the Sag value:

1. Support your motorcycle on a stand with the rear wheel off the ground.
2. Measure vertically from the rear axle to the rear fender. Mark this spot as it is used for other measurements.
3. Record this measurement (this is the measurement referred to as **M1**).



4. Remove the motorcycle from the stand.
5. Wearing your normal riding apparel, sit on the motorcycle.
6. Have an assistant hold the motorcycle up, your feet should be on both pegs.
7. Bounce the suspension a couple of times.
8. Have a second assistant take a measurement using the same locations as in step 2.
9. Record this measurement (this is the measurement referred to as **M2**).



10. Subtract the second measurement (**M2**) from the first measurement (**M1**).

Example:

Measurement	Operator	Value
M1		23.62 in (600 mm)
M2	-	21.65 in (550 mm)
Sag	=	1.97 in (50 mm)

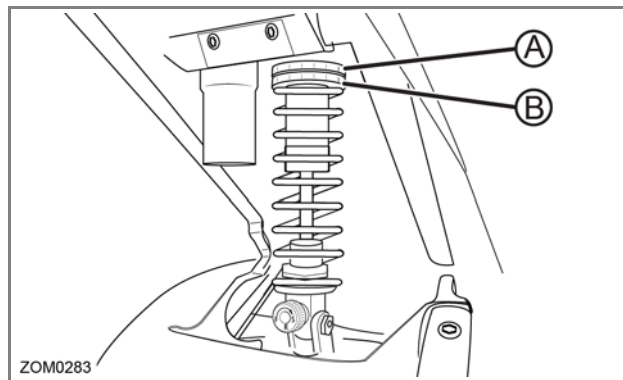
The total sag is 1.97 in (50 mm). Refer to the chart below for the correct sag. If the sag is not correct, the spring pre-load should be adjusted.

MODEL	SAG
S & SR	1.77 in (45 mm)
DS	2.36 in (60 mm)

General Operation

Spring Pre-load Adjustment

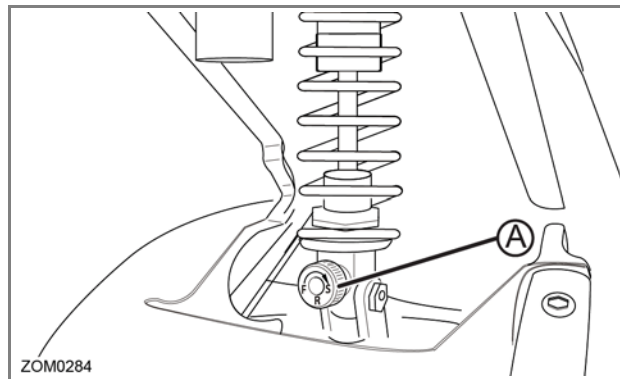
1. Clean any dirt or debris from the threads of the shock near the lock ring (A).
2. Using a lock ring wrench loosen the lock nut (A).
3. For measurements less than the specified value, decrease the pre-load on the spring by turning the spring nut (B) counter-clockwise on the shock. If more than the specified value, increase the pre-load on the spring by turning the spring nut (B) clockwise on the shock.



Rebound Adjustment

The rebound adjuster knob (A) is at the bottom of the shock. It has 8 stages of adjustment. Printed on the knob is S-F, meaning *Slow* and *Fast*. The rebound adjuster knob controls how slow or fast the shock returns to its extended position after being compressed. Turning the knob clockwise, or S direction, is good for big impacts.

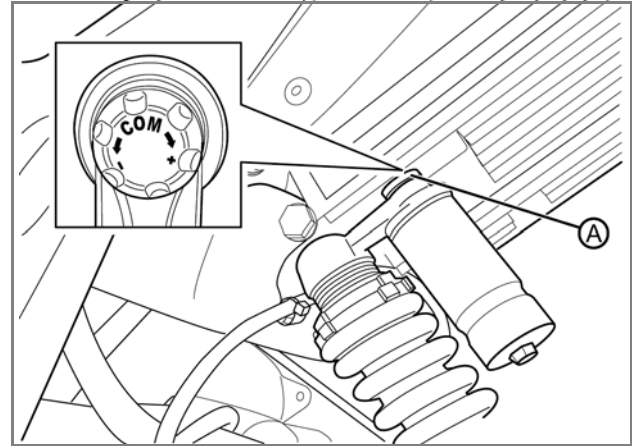
Turning the knob counter-clockwise, or F direction, is good for smaller and more frequent impacts.



Compression Adjustment

The compression adjustment knob is at the top of the shock. It has 18 stages of adjustment. The knob has “+” (slower compression) and “-” (faster compression). Turn the adjuster clockwise for slower compression. To speed up compression, turn the adjuster counter-clockwise. Start with a middle setting and fine tune the compression from there. Proper compression allows the tire to track the ground over consecutive bumps. Compression that is set too slow will pack-up (feel harsh over consecutive bumps) while compression that is set too fast causes the shock to bottom out harshly. If the shock is bottoming out, turn the adjuster one click at a time until the bottom out stops.

Note: Adjusters should never be forced completely “Fast” or “Slow”; always leave one click of adjustment in either direction.



General Operation

Factory Supplied Rear Suspension Settings

The following information will allow you to adjust the rear suspension back to the factory settings the motorcycle was originally supplied with.

S & SR Models

ADJUSTMENT	SETTING
Rear Shock Compression	16 clicks out from fully closed
Rear Shock Rebound	2 clicks out from fully closed
Rear Shock Spring Preload	7 mm

DS Model

ADJUSTMENT	SETTING
Rear Shock Compression	14 clicks out from fully closed
Rear Shock Rebound	4 clicks out from fully closed
Rear Shock Spring Preload	7 mm

Owner's Responsibilities

Listed below are the responsibilities afforded to the owner:

- This owner's manual should be considered a permanent part of this motorcycle and should remain with it even if the motorcycle is subsequently sold.
- Perform routine care and maintenance of your electric motorcycle as detailed in this owner's manual.
- Use only Zero approved parts and Zero Motorcycles accessories.
- The operator is responsible for learning and obeying all country, federal, state, and local laws governing the operations of an electric motorcycle.
- Always wear a regionally approved helmet, goggles, appropriate boots, and all other appropriate safety equipment when operating an electric motorcycle.

Parts/Maintenance Items

The proper replacement parts, fluids, and lubricants to use are listed in the table below.

PART	NUMBER
Headlight Bulb	H4 (55/60 watt)
Turn Signal Light Bulb (amber)	RY10W (10 watt)
Brake/Tail Light Bulb	LED (replace the entire unit)
Front Running Light Bulb	W3W (3 watt)
Brake Fluid	DOT 4

Maintaining Your Motorcycle

Maintenance Schedule

The scheduled maintenance must be performed in accordance with this chart to keep the Zero S/SR/DS motorcycle in top running condition. The initial maintenance is vitally important and must not be neglected. Where time and mileage are listed, follow the interval that occurs first.

#	ITEM	ROUTINE	EVERY RIDE	INITIAL	INITIAL	ODOMETER MILEAGE READING			
				600 mi (1K km) or 1 month	4K mi (7K km) or 6 months	8K mi (13K km) or 12 months	12K mi (19K km) or 18 months	16K mi (25K km) or 24 months	20K mi (31K km) or 30 months
1	Brake Fluid (front and rear)	Check brake fluid level. Add brake fluid as necessary.	√	√	√	√	√	√	√
		Replace brake fluid (every 12 months).			√		√		
2	Front Brake	Check operation, and for fluid leakage. Replace brake pads if necessary.	√	√	√	√	√	√	√
3	Rear Brake	Check operation, and for fluid leakage. Replace brake pads if necessary.	√	√	√	√	√	√	√
4	Wheels	Check run-out, and for damage. Replace if necessary.			√	√	√	√	√
5	Tires	- Check tread depth, and for damage. Replace if necessary. - Check air pressure. See page 5-9. Correct if necessary.	√		√	√	√	√	√
6	Wheel Bearings	Check bearings for smooth operation. Replace if necessary.		√	√	√	√	√	√

Maintaining Your Motorcycle

#	ITEM	ROUTINE	EVERY RIDE	INITIAL	INITIAL	ODOMETER MILEAGE READING				
				600 mi (1K km) or 1 month	4K mi (7K km) or 6 months	8K mi (13K km) or 12 months	12K mi (19K km) or 18 months	16K mi (25K km) or 24 months	20K mi (31K km) or 30 months	
7	Drive Belt	- Check belt slack and condition. - Replace a worn/damaged belt. - Check for cracking and/or replace the belt every 40K km (25K mi)	√							
8	Steering Bearings	- Check all chassis fittings and fasteners. - Correct if necessary.		√	√	√	√	Repack	√	
9	Chassis Fasteners	- Check all chassis			√	√	√	√	√	
10	Front Brake Lever Pivot Shaft	- Apply silicon grease lightly. - Check operation and for oil leakage. - Service/rebuild if necessary.		√	√	√	√	√	√	
11	Front Fork	- Check operation and for oil leakage. - Service/rebuild if necessary.	√		√	√	√	√	√	
12	Rear Shock Absorber Assembly	- Check operation and for oil leakage. Replace if necessary	√		√	√	√	√	√	
13	Throttle Grip	- Check operation and free play.	√		√	√	√	√	√	
14	Kickstand Pivots	- Check operation. - Apply silicon grease lightly.			√	√	√	√	√	

Maintaining Your Motorcycle

#	ITEM	ROUTINE	EVERY RIDE	INITIAL	INITIAL	ODOMETER MILEAGE READING			
				600 mi (1K km) or 1 month	4K mi (7K km) or 6 months	8K mi (13K km) or 12 months	12K mi (19K km) or 18 months	16K mi (25K km) or 24 months	20K mi (31K km) or 30 months
15	Kickstand Switch	Check operation and replace if necessary.		√	√	√	√	√	√

Note: From 24,000 mi (37,000 km) or 36 months, repeat the maintenance intervals starting from 8,000 mi (13,000) or 12 months.

Component Fasteners

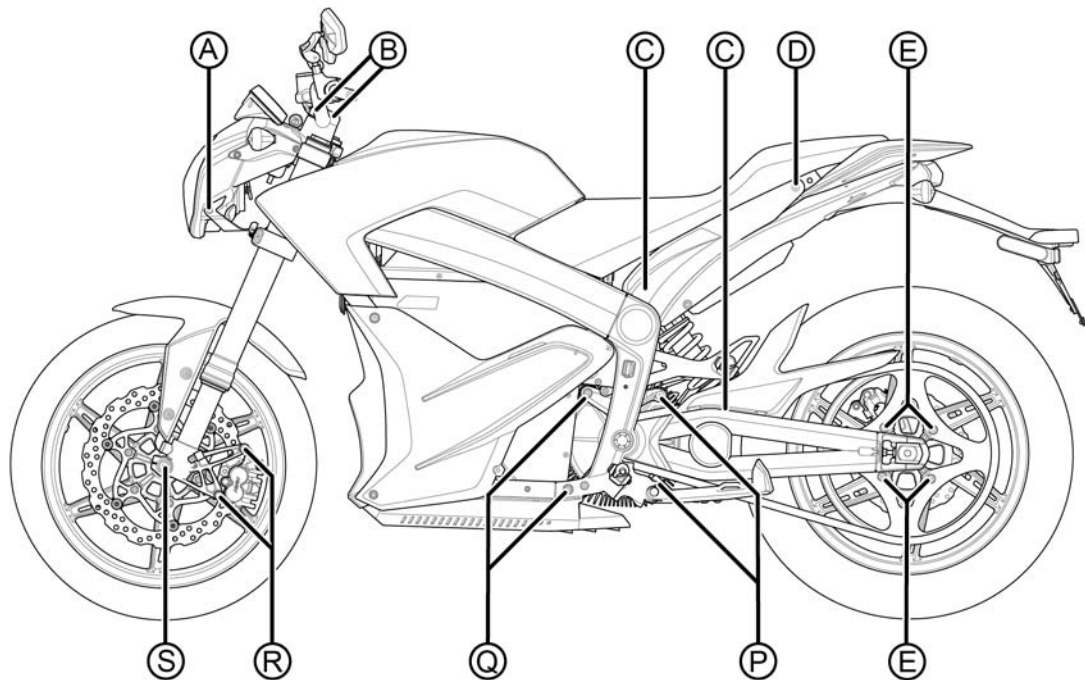
Periodically check and tighten the following fasteners on your motorcycle.

Torque Table

LOCATION	ITEM	TORQUE	NOTES
A	Headlight bolts	8 lb ft (11 Nm)	Use LOCTITE® 242® (or equivalent)
B	Handlebar clamp mount bolts	19 lb ft (26 Nm)	-
C	Rear shock mount bolts	40 lb ft (54 Nm)	-
D	Seat retaining bolts	16 lb ft (22 Nm)	-
E	Rear sprocket to wheel, 4 bolts	26 lb ft (35 Nm)	Use LOCTITE® 242® (or equivalent)
F	Rear brake caliper mount bolts	34 lb ft (46 Nm)	Use LOCTITE® 242® (or equivalent)
G	Controller heat sink to frame bolts (rear)	19 lb ft (26 Nm)	-
H	Controller heat sink to frame (front)	19 lb ft (26 Nm)	-
I	Main pivot bolt/nut (swingarm)	75 lb ft (102 Nm)	-
J	Upper/Lower triple clamps pinch bolts	15 lb ft (20 Nm) - upper 17 lb ft (23 Nm) - lower	Use LOCTITE® 242® (or equivalent)
K	Front axle pinch bolts	9 lb ft (12 Nm)	Use LOCTITE® 242® (or equivalent)
L	Rear brake pedal pivot bolt	34 lb ft (46 Nm)	Use LOCTITE® 242® (or equivalent)
M	Rear brake master cylinder to frame bolts	9 lb ft (12 Nm)	Use LOCTITE® 242® (or equivalent)
N	Rear axle slider retaining bolts	19 lb ft (26 Nm)	Use LOCTITE® 242® (or equivalent)
O	Rear axle nut	75 lb ft (102 Nm)	Use LOCTITE® 242® (or equivalent)
P	Motor mount bolts (rear)	20 lb ft (27 Nm)	-
Q	Motor mount bolts (front)	20 lb ft (27 Nm)	-
R	Front caliper mount bolts	19 lb ft (26 Nm)	Use LOCTITE® 242® (or equivalent)
S	Front axle end bolts	19 lb ft (26 Nm)	Use LOCTITE® 242® (or equivalent)

Maintaining Your Motorcycle

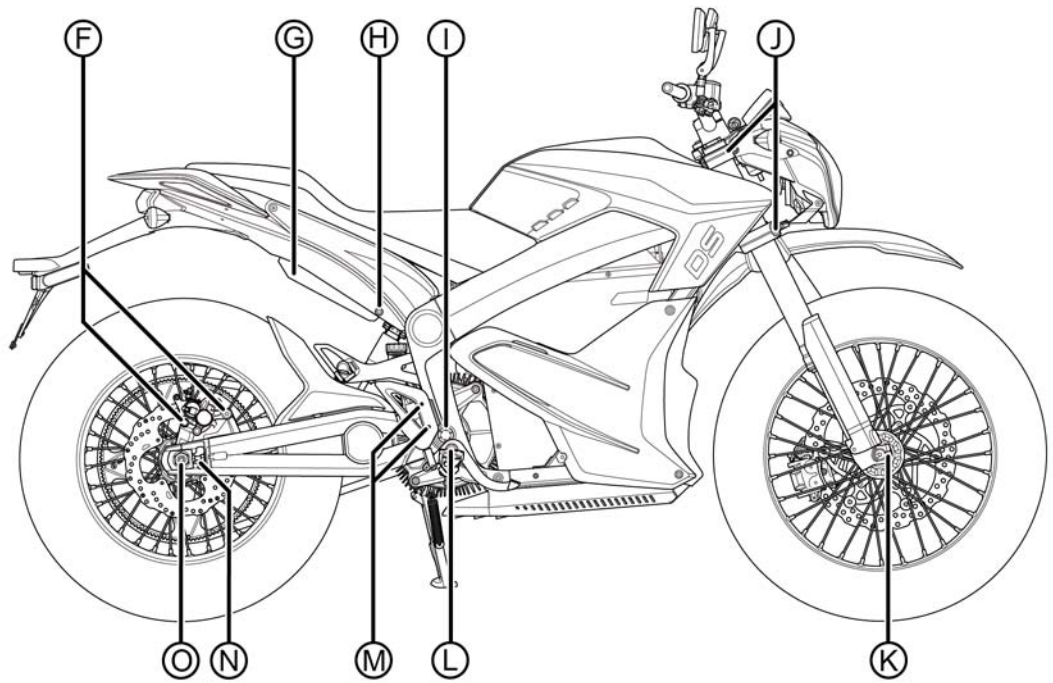
Left Side of Motorcycle



ZOM0215

Refer to Torque table on [page 5.5](#).

Right Side of Motorcycle



ZOM0216

Refer to Torque table on page 5.5.

Power Pack

Power Pack

WARNING! You must leave your motorcycle on the charger if you expect it to sit in storage or unused for over 90 days.

The power pack must be charged within 24 hours if fully discharged, and charged within 90 days if stored fully charged.

Zero recommends you plug in your Zero motorcycle after 7 days, even if fully charged. Please leave your Zero motorcycle plugged in whenever possible.

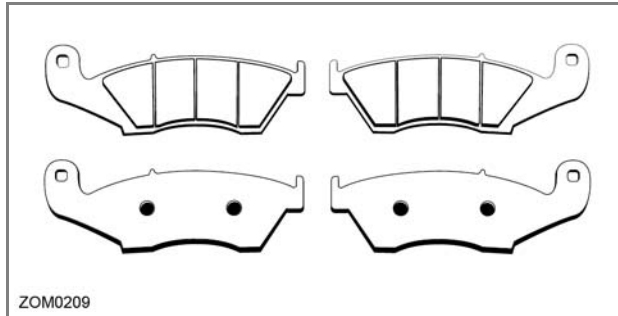
1. The power pack is a lithium ion power system. While it does require charging, it does not require maintenance.
2. The power pack should be kept away from excessive heat. The lithium ion cells should not get above 160°F (71°C). Do not store in a hot trailer or leave the power pack in direct sunlight.
3. Only an authorized service agent is qualified to have access to the power pack.
4. Dispose of the power pack according to your state and local laws. It is encouraged that the power pack be recycled rather than disposed of in landfills.
5. Please contact Zero at support@zeromotorcycles.com or locate a recycling center in your area.

Brakes

This section describes how to inspect the brake fluid level for both the front and rear brakes. Your motorcycle uses specific brake pads for stopping power. Both front and rear pad examples are shown in the following sections.

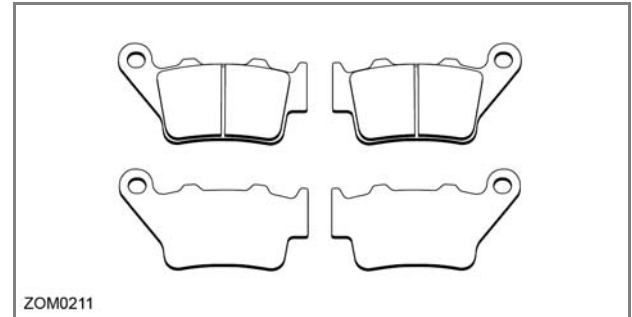
Front Brake Pads

An example of the front brake pads is shown below.



Rear Brake Pads

An example of the rear brake pads is shown below.



General Maintenance

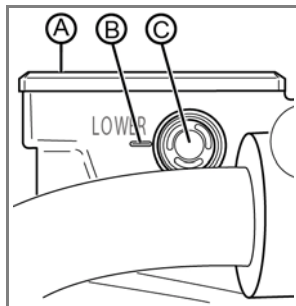
Brake Fluid Level Inspection

WARNING! Do not spill brake fluid on painted surfaces; the finish could be damaged. Spilling brake fluid on the ABS body plastics will cause them to crack. Clean off any brake fluid spills immediately.

Always place a shop towel under the master cylinder reservoir prior to removing cover/cap.

Low fluid levels may indicate worn brake pads or a leak in the hydraulic system. Inspect the brake pads for wear and/or the hydraulic system for leaks. Use only new DOT 4 brake fluid from a sealed container.

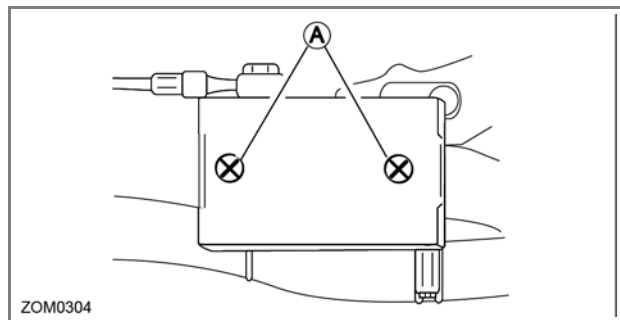
Front Brake



Inspect the level of the front brake fluid through the sight glass (C). If the fluid level is visibly below the low level indicator (B), brake fluid must be added. Clean any dirt or debris from the cover (A) before opening the reservoir.

Note: The motorcycle should be in an upright position prior to checking fluid level.

1. Remove the two screws (A) securing the cover onto the reservoir.



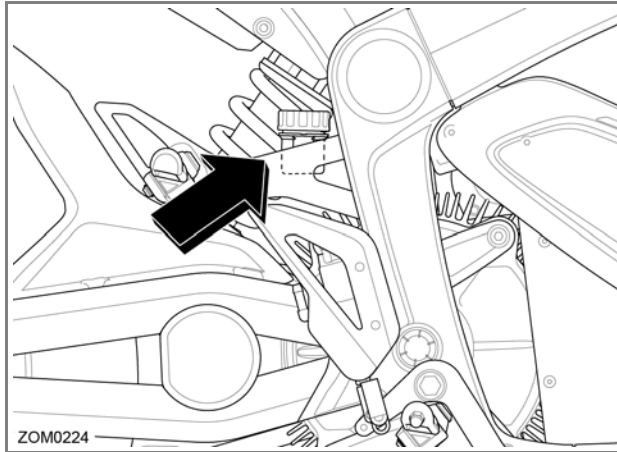
ZOM0304

2. Add new DOT 4 brake fluid.
3. Inspect the cover seal, ensuring that it is free of any wear or damage and that it is positioned correctly.
4. Install the cover and tighten the screws.

Rear Brake

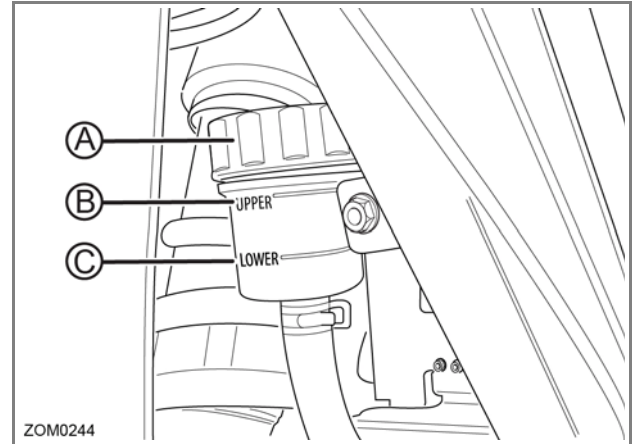
The reservoir housing is located inboard on the frame behind the heel guard.

Note: The motorcycle should be in an upright position prior to checking fluid level.



Inspect the level of the rear brake fluid through the reservoir housing. If the fluid level is visibly below the low minimum "MIN" indicator (C), brake fluid must be added until level reaches the upper "MAX" indicator (B). Do not

overfill. Clean any dirt or debris from the cap and reservoir opening (A) before opening the reservoir.

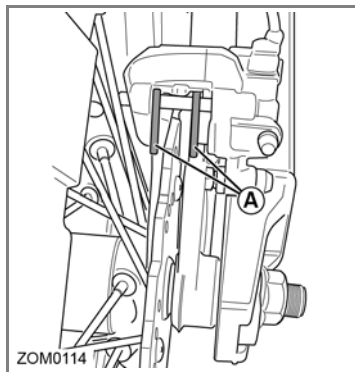


Unscrew the cap and add new DOT 4 brake fluid. Inspect the cap seal ensuring that it is free of any wear or damage then reinstall the cap.

General Maintenance

Brake Pad Inspection

The brake pads must be inspected when specified in the maintenance schedule. See the Maintenance Schedule on [page 5.2](#) for additional information. Visually inspect the brakes by looking at the remaining brake pad material through the sides of the brake caliper. Replace the brake pads if either pad's thickness is 0.053 in (1.35 mm) or less. If the brake pads (A) are worn, replace both brake pads immediately.



The brake rotor should also be checked for thickness. The minimum thickness is 0.15 in (3.85 mm).

Suspension

Front

- For maintenance, see Maintenance Schedule on [page 5.2](#).
- To adjust the fork, see Suspension Adjustment on [page 4.16](#).

Rear

CAUTION: The shock absorber assembly contains highly pressurized gas.

- Do not attempt to tamper with or open the cylinder or shock.
- Do not subject the shock to high temperature or open flame.

WARNING! Doing either of the above actions can cause the cylinder or shock to explode causing personal injury or death.

For maintenance, see Maintenance Schedule on [page 5.2](#).

To adjust the fork, see Suspension Adjustment on [page 4.16](#).

Wheels And Tires

Inspect both wheels for the following:

- Bent, loose, or missing spokes (DS only)
- Bent or cracked rims
- Impact marks on the rims

Inspect both tires for the following:

- Cuts, cracks, splits, or missing tread lugs in the tread or sidewall area
- Bumps or bulges within the tire body
- Uneven tire tread wear. Wear on one side of the tire tread or flat spots in the tire tread indicate a problem with the tire or motorcycle.
- Exposed tire thread or cords

If either of the wheels or tires are found to have any of the above conditions, replace the wheel and tire immediately.

Tire Inflation

CAUTION: Under-inflation is a common cause of tire failure and may result in severe tire cracking, tread separation, “blowout,” or unexpected loss of motorcycle control, causing serious injury or death.

Tire pressure should be checked and adjusted to the proper inflation levels before each ride. Tire pressure should be checked using an accurate gauge when the tires are cold. This means that the tires have not been ridden on for at least 3 hours. Always replace the valve stem cap when finished adjusting tire pressures.

MODEL	FRONT	REAR
S & SR	207 kPa (30 PSI)	207 kPa (30 PSI)
DS	200 kPa (29 PSI)	186 kPa (27 PSI)

General Maintenance

Drive Belt

The drive belt provides low maintenance and quiet operation with minimal stretch. Keep dirt, grease, oil, and debris off the belt and sprockets. The drive belt tension should be checked and adjusted at the intervals specified in the Maintenance Schedule. For maintenance information, see the Maintenance Schedule on [page 5.2](#).

Clean the belt with mild soap and water when washing your motorcycle. Towel dry and inspect for the following:

- Cuts or unusual wear patterns.
- Damage to the center of the belt.
- Outside edge beveling. Some beveling is common but it indicates that sprockets are misaligned.
- Outside ribbed surface for signs of stone puncture.
- Inside (tooth portion) of belt for exposed tensile cords normally covered by nylon layer and polyethylene layer. This condition will result in belt failure and indicates worn sprocket teeth.
- Signs of puncture or cracking at the base of the belt teeth.

If any of the above conditions are found, the belt should be replaced.

Checking Drive Belt Tension

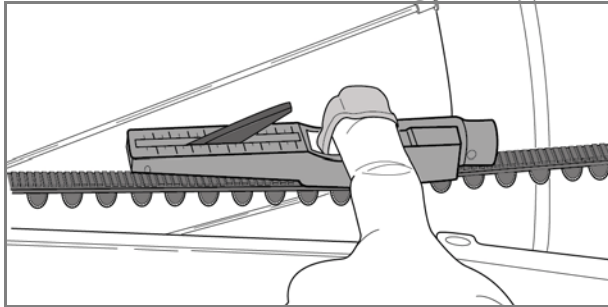
Proper belt tension is essential for optimum operation of the drive system.

Lack of belt tension can lead to “ratcheting.” The teeth of the belt slide over the teeth of the rear sprocket. This causes an unpleasant sound; the ratcheting can also cause damage to the carbon tensile cords. If ratcheting has occurred you should replace the belt before the next time you ride.

Too much tension can increase the wear of your drive system and the system can drag.

The tension is checked by using a Tension Tester.

The Tension Tester has a plastic measurement arm, located in a slot. Along this slot there is a measuring scale. The point of intersection of the measurement arm and the measuring scale shows the tension of the belt. There is a button (clicking pad) on the upper side of the Tension Tester, where you can secure your finger with a rubber band holder. A spring is located underneath this clicking pad. If a certain pressure is applied to the spring, it makes a clicking sound.



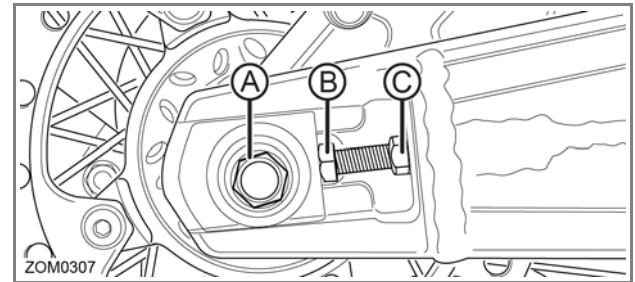
1. Remove the key from the key switch.
2. Press the Tension Tester steadily to the middle of the upper side of the belt. The “lip” will lead the tester on to the belt.
3. Slowly increase the pressure on the tester, until you hear a clicking sound. Do not increase the pressure after the tester has clicked.
4. Remove the tester carefully from the belt. Avoid rough movements of the tester, as this would change the results of the measurement. The measurement should be in the range of 20-30 kg.

Drive Belt Adjustment Procedure

Note: Adjust both sides equally.

1. Remove key from the key switch.
2. Loosen the rear axle nut (A).
3. Loosen the (left and right) 13 mm jam nuts (C).
4. Turn the (left and right) 13 mm adjustment bolts (B) 1/4 turn at a time until the belt adjustment is within specification.

Note: Belt tension will increase slightly when motor mount bolts are fully torqued.



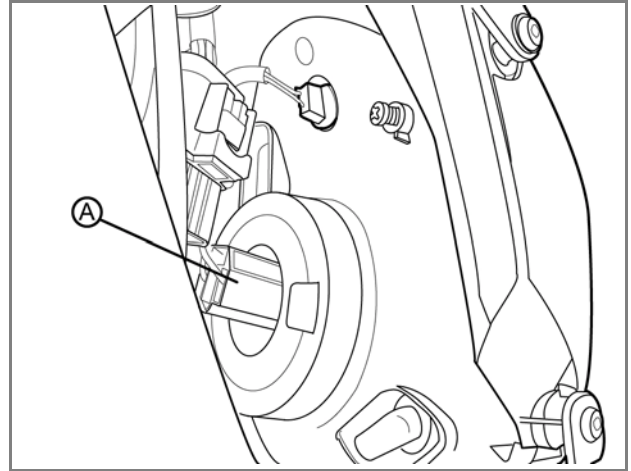
5. Tighten left and right jam nuts (C) to secure the belt.
6. Tighten the axle nut (A).
7. Test ride the motorcycle.
8. Recheck the belt for proper adjustment after the test ride and readjust, if necessary.

General Maintenance

Headlight Alignment

The headlight should be checked for correct alignment periodically. It must be aligned any time the suspension sag is adjusted because this affects the headlight alignment. Before the headlight can be aligned, the suspension sag and tire pressure must be correctly adjusted. The headlight can be adjusted vertically. If the vertical adjustment is off, it causes the beam to point too close to or too far ahead of the motorcycle. With the headlight on the low beam position, the motorcycle perpendicular to the ground, and the operator sitting on the motorcycle, verify the beam alignment. The motorcycle is shipped with the headlight at a 0.5-2.5% dip.

The adjustment screw (A) is located on the back upper right corner of the headlamp. To adjust the headlight, turn the screw until the correct beam alignment is achieved.



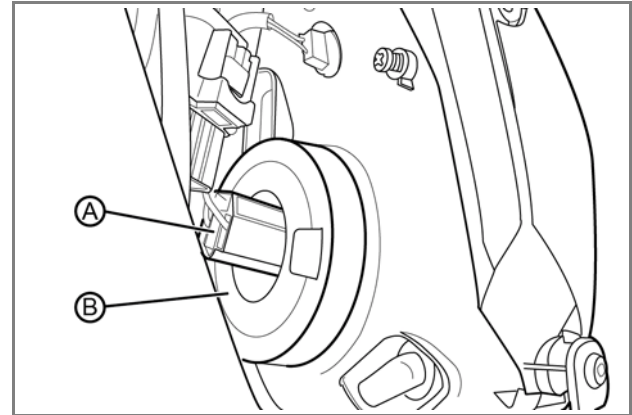
Headlight Bulb Replacement

CAUTION: Halogen bulbs contain gas under pressure. Handling a bulb improperly could cause it to shatter into flying glass fragments, which could result in serious injury. To help avoid injury:

- Turn the key switch OFF and allow the bulb to cool before changing the bulb.
- Leave the key switch OFF until the bulb change is complete.
- Always wear eye protection when changing a halogen bulb.
- Avoid touching the glass.

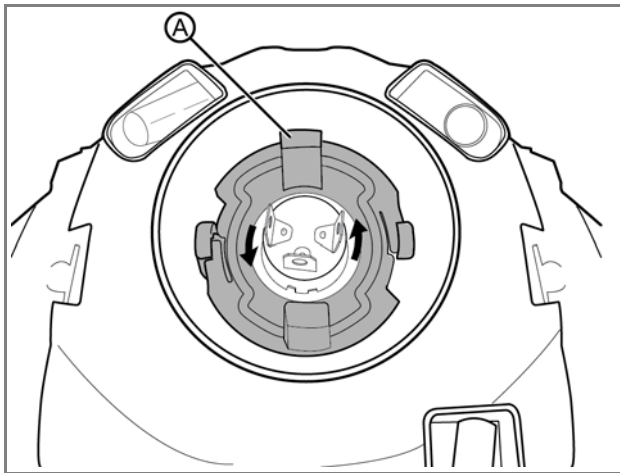
To replace the bulb:

1. Working from behind the headlight, disconnect the headlight bulb connector (A) and rubber cover (B).



General Maintenance

2. Remove the headlight bulb retainer (A) by turning it counter-clockwise.



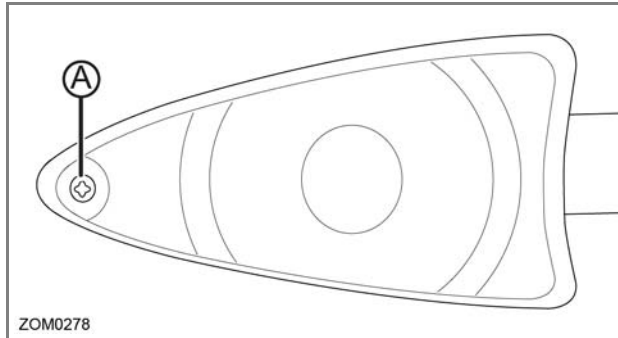
3. Remove the headlight bulb by pulling it straight out.

WARNING! Do not touch the glass portion of the headlight bulb. Keep the headlight bulb free of contaminants. Oil from your fingers or contaminants will shorten the life of the bulb. Thoroughly clean any fingerprints or contaminants from the bulb using a clean cloth moistened with alcohol.

4. Install the headlight bulb into the lens.
5. Install the headlight bulb retainer and turn it clockwise until it locks into position.
6. Install the headlight bulb rubber cover.
7. Connect the headlight bulb connector.

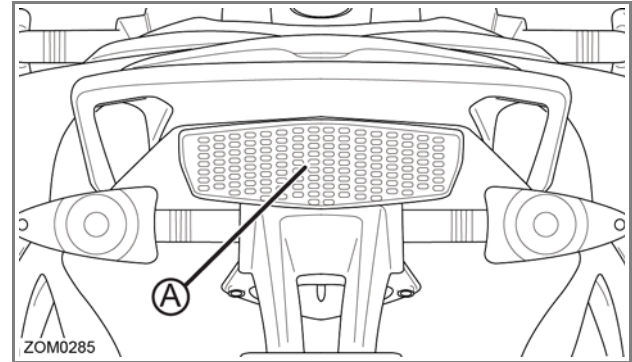
Turn Signal Light Bulb Replacement

1. Remove the turn signal lens screw (A) and remove the lens.
2. Push in on the bulb, turn the bulb counterclockwise, and then pull the bulb out.
3. Insert the new bulb into the socket, push in and turn clockwise until it stops.
4. Install the lens and screw; tighten the screw. Do not over-tighten the screw.



Brake/Tail LED Replacement

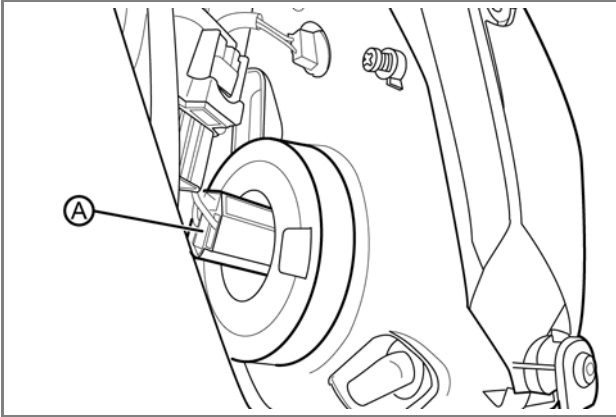
The brake/tail LED (A) is not serviceable. Please contact your Zero Motorcycle dealer for replacement.



General Maintenance

Running Light Bulb Replacement

1. Working from behind the headlight, remove the bulb socket (A) from the headlight by squeezing the metal clip.



2. Pull the old bulb straight out from the socket.
3. Push the new bulb into the socket, and push the socket into the headlight.

Cleaning

WARNING! Improper cleaning can damage electrical components, cowlings, panels, and other plastic parts. Do not use high pressure water or steam cleaners; they can cause water intrusion of bearing, seals, and electrical components. Avoid spraying water of great force around the dash unit, quick charge connector, power pack, or controller.

To prolong the life of your motorcycle it should be washed periodically. Regular cleaning is an important factor in maintaining the value of your motorcycle. It also ensures that safety related parts remain in full working order.

If tar, bugs, or other similar deposits have accumulated, clean them off as soon as possible.

CAUTION: After cleaning and before starting your journey, always test the brakes.

Washing

WARNING! Do not use any harsh chemical products on plastic parts. Be sure to avoid using cloths or sponges which have been in contact with strong abrasive cleaning products, solvent or thinner, fuel (gasoline), rust removers or inhibitors, brake fluid, antifreeze, or electrolyte.

Note: We recommend the use of a garden hose to wash your motorcycle. High-pressure washers (like those at coin-operated car washes) can damage certain parts.

1. Gently wash your motorcycle with a sponge or a clean soft cloth, mild detergent, and plenty of water.
2. Use care when cleaning the plastic parts (dash, fenders, and side panels), which can scratch easier than the other parts of your motorcycle.
3. After washing, rinse your motorcycle thoroughly with plenty of clean water to remove any detergent residue.
4. Dry your motorcycle with a chamois or a soft, dry towel.
5. After cleaning, inspect for damage, wear or leaks.

After washing the motorcycle, allow all of the electrical components to dry prior to operation. If the motorcycle is ridden after being washed, apply both brakes several times in order to remove any moisture from the brake pads.

Wheels and tires

Avoid using strong acidic wheel cleaners, especially on spoked wheels. If such products are used on hard-to-remove dirt, do not leave the cleaner on the affected area any longer than instructed. Also thoroughly rinse the area off with water, immediately dry it, and then apply a corrosion protection spray.

Do not use products such as tire dressings on tires as this will deteriorate traction.

General Maintenance

Parking and Long Term Storage

- For planned long-term storage (more than 30 days), draining the power pack to a ~60% state of charge (SOC) and leaving the motorcycle unplugged is recommended.
- The power pack will drain extremely slowly over time. Check the SOC at least monthly and charge it back up to 60% if it has dropped below 30%. When you're ready to take your motorcycle out of storage to ride it again, plug it in for at least 24 hours to ensure optimal cell balanced is restored.
- To prolong the life of your power pack you should store your motorcycle in a cool area. Storing your motorcycle in a hot area will cause your power pack's life to be shortened.

For more information on the power pack and the electrical system see [page 4.14](#).

Note: Never store your motorcycle at a SOC of less than 30%. Leaving the power pack discharged below 30% for a prolonged period of time could damage the power pack and void its warranty.

WARNING! Opening of the power pack is for trained Zero Motorcycles technicians. Please be aware that incorrect handling of a Zero power pack can be dangerous. DO NOT OPEN!

Zero Motorcycles Accessories

Zero motorcycle accessories are designed to complement and function with other systems on your motorcycle. Your dealer can accessorize the motorcycle using genuine Zero accessories.

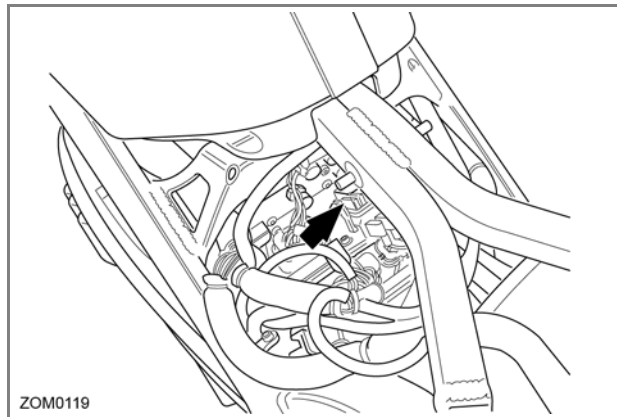
A full line of parts, accessories, and apparel can be found on the Zero Motorcycles website.

Fuses

Whenever there is an excessive amount of current flowing through a circuit the fusible element will melt and create an open or incomplete circuit. Fuses are a one-time protection device and must be replaced each time the circuit is overloaded. Replace the fuse with one of equal current and voltage rating. If the fuse melts repeatedly, have the electrical system inspected by your dealer.

12 Volt Fuse Center

The 12 volt fuse center is located underneath the seat.

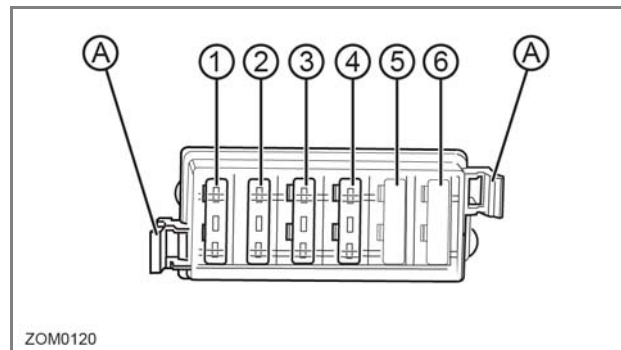


The fuse center (see arrow) has a protective cover that must first be removed to gain access to the fuses. To remove the cover, squeeze the tabs together and lift off the cover.

To access the 12 volt fuse center:

1. Remove two bolts securing the seat to the motorcycle frame. Refer to Component Fasteners, [page 5.5](#).
2. Pull the seat rearward to gain access to the fuse center.

3. Squeeze the tabs (A) on the fuse center to remove the cover.
4. Replace the fuse(s).



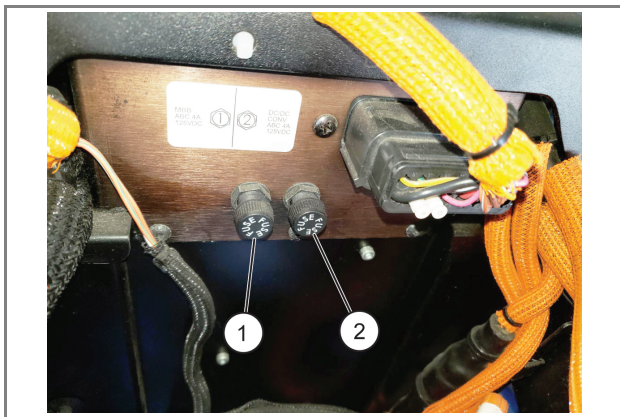
The 12-volt fuse values are listed below:

FUSE	RATING	CIRCUITS CONTROLLED
1	10A	Headlight
2	10A	Accessory Port
3	10A	Flash Lights, Turn Signals, Horn, Brake/Tail Light
4	5A	Running Lights

General Maintenance

High Voltage Fuse Center

The high voltage fuse center sits in front of the low voltage fuse center (in a cluster of two fuses).



To access the high voltage fuse center:

1. Remove the two bolts securing the seat to the motorcycle frame.
2. Pull the seat rearward to gain access to the fuse center.
3. Unscrew the fuse's cover.
4. Replace the fuse.

The high voltage fuse values are listed below:

FUSE	RATING	CIRCUITS CONTROLLED
1	ABC4A	Main Bike Board/Controller
2	ABC4A	DC/DC Converter

Electric Motorcycle Precautions

Your Zero motorcycle has high voltage components. The high voltage used by these components is dangerous and can cause personal injury, severe burns, electric shock and even fatal injury unless appropriate precautions are taken.

Always observe and obey the instructions on labels attached to components on the vehicle - they are there for your safety.

Do not touch, attempt to remove or replace any high voltage parts, wiring (identified by the orange outer sleeving) or connectors. If the motorcycle is involved in an accident do not touch any high voltage wiring connectors or the components connected to the wiring. If a motorcycle fire occurs, extinguish visible flame with a Class D power-type fire extinguisher. After flame has extinguished, douse with a water-based fire extinguisher.

CAUTION! Your motorcycle uses high voltage. System components can be hot to touch during and after starting and when the motorcycle is shut off. Be careful of both the high voltage and the high temperature. Obey all labels that are attached to the motorcycle.

CAUTION! The motorcycles high voltage system has no user serviceable parts. Disassembling, removing or replacing high voltage components, cables or connectors can cause severe burns or electric shock that may result in serious injury or death. High voltage cables are colored orange for easy

identification (see First Responder Information illustration at the back of this manual).

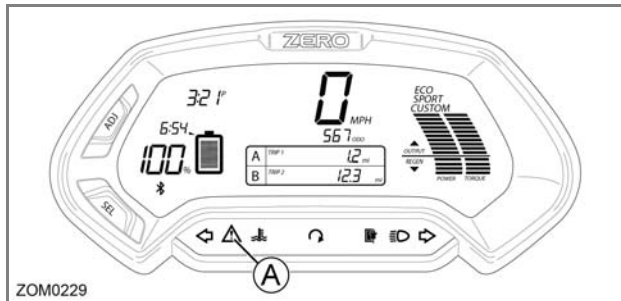
Troubleshooting Your Motorcycle

All of the motorcycles are carefully inspected before they are delivered. Even after the motorcycles are inspected, some technical issues can occur. The following information offers a guide to help you to identify an issue, and if possible, repair it yourself. If you are unable to solve an issue with your Zero S/SR/DS electric motorcycle, take it to an authorized dealer at your convenience. If there is no dealer in your area call Zero Motorcycles Customer Service.









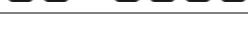


Troubleshooting

System Warning Indicator

If a fault has been detected, count the number of times the red indicator light (A) flashes.



Refer to the table starting on the next page for possible causes and solutions to the issue.

NUMBER OF RED FLASHES	CAUSE	SOLUTION	
1		Motor Stop Switch Disabled or Kickstand Switch Disabled	Motor stop switch is in the OFF position. Press the motor stop switch ON button. Kickstand is down. Raise kickstand.
2		Indicator Always ON	Contact Zero or your dealer.
3		Self-Test Failed	Unplug charger.
4		Charger Connected	Throttle is ON or throttle/connection is bad. Verify throttle action and/or check connection.
5		High Throttle Disable	Could not pre-charge motor controller. Contact your dealer.
6		Low Power Pack Disable	Charge Power Pack Before Riding.
7		Contactor Error	Contact Zero or your dealer.
8		Controller Area Network (CAN) Error	Contact Zero or your dealer.
9		Battery Management System (BMS) Throttle Disable	Contact Zero or your dealer.
10		Throttle Out of Range	Bad throttle or connections. Verify throttle action and/or check connection.
11		Motor Temperature Sensor Out of Range	Bad motor temperature sensor or connections. Replace temperature sensor and/or check connections.

Troubleshooting

NUMBER OF RED FLASHES		CAUSE	SOLUTION
12	■ ■ ■ ■ ■ ■ ■ ■	MBB Voltage Error	Contact Zero or your dealer.
13	■ ■ ■ ■ ■ ■ ■ ■	Board Temperature Warning	Board may have overheated. Let the motorcycle cool down.
14	■ ■ ■ ■ ■ ■ ■ ■ ■ ■	Current Sensor Error	Problem with current sensor or connection. Contact your dealer.
15	■ ■ ■ ■ ■ ■ ■ ■	Welded Contactor	Contact Zero or your dealer.
16	■ ■ ■ ■ ■ ■ ■ ■	High Current Disable	Turn the ignition OFF and ON. If problem persists contact Zero or your dealer.
17	■ ■ ■ ■ ■ ■ ■ ■	Temperature Protection Error	Turn the ignition OFF and allow to cool off and then restart. If problem persists contact Zero or your dealer.
18	■ ■ ■ ■ ■ ■ ■ ■ ■ ■	Throttle Output Error	Turn the ignition OFF and ON. If problem persists contact Zero or your dealer.
19	■ ■ ■ ■ ■ ■ ■ ■	Kickstand Error	Bad kickstand switch or connection. Replace kickstand switch and/or check connection.
20	■ ■ ■ ■ ■ ■ ■ ■ ■ ■	Miscellaneous Error	Contact Zero or your dealer.

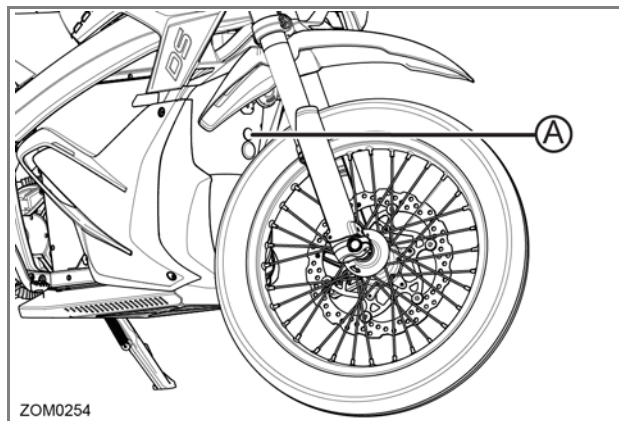
General Troubleshooting

SYMPTOM	POTENTIAL CAUSE	POTENTIAL SOLUTION
Motorcycle does not turn on	Power Pack not charged. Key not properly engaged. Motor stop switch turned OFF. Fault code set.	Charge Power Pack. Recheck key in ignition, turn OFF/ON again. Press the motor stop Switch ON button. See Charge Fault Code chart on page 6.7 or see Understanding BMS Flash Code Patterns starting on page 6.7 .
Charger not working	A/C power missing fault code set	Check A/C outlet for power, A/C source check fuse/voltage. See Charge Fault Code chart on page 6.8 or see Understanding BMS Flash Code Patterns on page 6.8 .
Handlebars wobbly (shimmy)	Incorrect tire pressure	Inflate to correct tire pressure. See page 5.13 .
	Deformed front tire	Replace/balance front tire with the same tire supplied from the factory.
	Bald tire (excess wear)	Replace/balance tire with the same tire supplied from the factory.
	Loose headset bearings	Inspect the headset for wear or damage, replace any worn or damaged parts. Tighten the headset pre-load.

Troubleshooting

Battery Management System

The Battery Management System (BMS) is located inside the power pack and is fitted with a window (A) to provide visual notification about the status of the power pack. There are four LED lamps that will flash: one red and three green lamps. The window is located on the front of the power pack (behind the front wheel). See the next page for the meanings of these patterns.



Understanding BMS Flash Code Patterns (Idle Mode)

In this mode the key is OFF and the power pack is not being charged (the BMS is only monitoring the battery).

1 RED	2 GREEN	3 GREEN	4 GREEN	ON	OFF	MEANING	SOLUTION
			√	50 ms	5 sec	Healthy	BMS OK
√			√	50 ms	5 ms	Isolation Fault	Contact Zero or the Dealer
√				50 ms	60 sec	Pack Low	Charge power pack
√				50 ms	1 sec	Number of Cell Packs Not Set	Contact Zero or the Dealer
√				50 ms	1 sec	Self-Test Failed	Contact Zero or the Dealer
			√	50 ms	250 ms	Waiting for UART Input	Contact Zero or the Dealer
sec = seconds ms = milliseconds							

Troubleshooting

Understanding BMS Flash Code Patterns (Charge Mode)

This mode is with the charging cord plugged into the AC power, and the key in the OFF position. During the Charging process, first all lights will flash. Next, lights 1 through 4 will flash depending on the power pack's state of charge.

1 RED	2 GREEN	3 GREEN	4 GREEN	ON	OFF	MEANING	SOLUTION
√	√	√	√	1 sec	5 sec	Charge Complete	Unplug Charger
Charging							
√				250 ms		25%	Continue Charging
√	√			250 ms		50%	Continue Charging
√	√	√		250 ms		75%	Continue Charging
√	√	√	√	250 ms		100%	Continue Charging
Balancing							
		√		500 ms		Power Pack Unbalanced	Let the Power Pack Cool Down
	√		√	500 ms			
Temperature Disable							
√			√	100 ms	500 ms	Too Hot	Let the Power Pack Cool Down
sec = seconds ms = milliseconds							

Understanding BMS Flash Code Patterns (Run Mode)

In this mode, the key is in the ON position.

1 RED	2 GREEN	3 GREEN	4 GREEN	ON	OFF	MEANING	SOLUTION
√				5 sec	1 sec	25% of Power Remaining	Charge Soon
√	√			5 sec	1 sec	50% of Power Remaining	Charge Soon
√	√	√		5 sec	1 sec	75% of Power Remaining	Charge Soon
√	√	√	√	5 sec	1 sec	100% of Power Remaining	OK
sec = seconds ms = milliseconds							

Troubleshooting

Power Pack Empty

If the power pack is completely empty, an error-beep sounds and the BMS disables the throttle. You cannot ride the motorcycle until you recharge the power pack. If the Power Pack Empty error-beep still sounds after two hours of charging time, contact your dealer. Your power pack may need to be repaired or replaced.

Power Pack Full (High Power Pack-Voltage)

If the BMS detects that the power pack is already full, it disables any further charging to prevent damage to the power pack.

This is not an error-condition; it is the result of a successful charging cycle. There is no self-test flash code which reports this condition.

During an ordinary charging cycle, when the cells are balanced, the charger (not the BMS) senses that the power pack is full and terminates the charging cycle with a “green light.” The BMS does have a redundant back-up mechanism to prevent overcharging of the power pack. If the charger fails to terminate a charging-cycle when the power pack is full, the BMS will terminate charging itself to prevent damage.

Power Pack Too Hot

The power pack contains internal temperature sensors. If the BMS measures excessive internal temperatures, it flashes an error code and disables the throttle. You cannot ride the motorcycle until the power pack cools down. Place the motorcycle in a cool, well-ventilated location and wait a few minutes before riding again. If the Too Hot error code still flashes after the power pack has had time to cool down, contact your dealer. Your power pack may need to be repaired or replaced.

Power Pack Unbalanced

The power pack contains many individual cells. The BMS continuously monitors the cells and tries to keep them all “in balance” (at the same level-of-charge). If any of the cells are grossly out-of-balance, the BMS flashes a Power Pack Unbalanced error code and disables the throttle. You cannot ride the motorcycle until the problem is resolved.

The solution to the problem is to plug in the charger and allow the power pack to charge for 72 hours. This allows the BMS to re-balance the cells in the power pack. If the Power Pack Unbalanced error code still flashes after the power pack has spent more than 72 hours charging, contact your dealer. Your power pack may need to be repaired or replaced.

Other Error-Flash Patterns

If the BMS in your power pack produces an error code which is not described in Understanding BMS Flash Code Patterns, then the power pack has encountered a serious internal hardware problem and must be repaired or replaced by a dealer.

Troubleshooting

Cold and Hot Weather Considerations

Cold Weather

Cold Weather operation of the motorcycle has no permanent impact on its battery pack/cells; however, the rider may see a reduction in range due to the effect cold temperature has on the amount of energy the pack/cells can release. The colder the weather, the greater the effect; so that, as compared to operation in 80°F (27°C) ambient, at 30°F(-1°C) ambient the rider could experience a temporary reduction in range of up to 30%.

In extreme cold weather the motorcycle may also experience a temporary reduction in power and, correspondingly, achieved top speed.

It is not recommended that the motorcycle be ridden while its battery temperature is below 23°F(-5°C). If it is, its battery needs to be put on the charger at a temperature above 32°F (0°C) as soon as the ride is concluded. It is worth noting that the Battery Management System (BMS) will not allow the battery to be discharged below -22°F (-30°C), which is the absolute lowest discharge temperature prescribed by the cell manufacturer.

Storage of the motorcycle for the winter in a non-heated garage is acceptable, as long as:

1. the coldest temperature in the garage does not fall below -31°F (-35°C).
2. the battery is drained to a ~60% state of charge prior to storage and you check its state of charge at least monthly and charge it back up to 60% if it has dropped below 30%.
3. the battery is initially topped off at a temperature above 32°F (0°C).

Storage temperatures below -31°F (-35°C) may result in accelerated permanent decay of the battery performance, and hence it is not recommended. Above this temperature and following the long-term storage guidelines (see *“Parking and Long Term Storage”*, on page 5.22) will ensure the battery survives winter storage with no permanent damage, even if the temperatures dip well below freezing for weeks at a time. Note that, while charging, to prevent battery damage, the BMS will prevent the charger from charging the battery at a temperature below 32°F (0°C). Again, as long as the battery was drained to ~60% state of charge and kept above 30% state of charge through the winter at temperatures above -31°F (-35°C), the battery will be safe from damage.

Hot Weather Operation

Operation of the motorcycle in hot temperatures should not result in any noticeable performance changes. However, the BMS will not allow motorcycle operation and its associated battery discharge above 140°F (60°C), as measured at the battery.

In hot temperatures greater than 110°F (43°C), the charger reduces its charge current to the battery, increasing charge time accordingly; the hotter the ambient temperature, the greater the effect. Above a battery temperature of 131°F (55°C), the BMS will no longer allow charging.

Note: Storing the motorcycle or its battery in direct sunlight in ambient temperatures above 105°F (41°C) may result in accelerated permanent decay of battery performance, and hence it is not recommended.

Safety Interlocks

If the BMS detects a serious internal fault, it can take either or both of two actions to prevent damage to the power pack:

- **Throttle Disable.** The BMS disables the throttle if the power pack is empty, or if the BMS detects certain serious internal problems. You cannot ride the motorcycle until the problem is resolved.
- **Charger Disable.** The BMS prevents charging if it detects certain serious internal problems - even if the power pack is connected to a charger and plugged in to AC power. The power pack cannot be charged until the problem is resolved.

Throttle Disable Interlock

The BMS communicates with the main motorcycle control module. The BMS can send a signal to the main motorcycle controller requesting that the throttle control on the motorcycle be disabled. When the throttle control is disabled, the motor will not deliver power to the rear wheel, and the motorcycle cannot be ridden.

If the throttle is disabled while riding, the motorcycle will cease to provide power, and the operator must pull over to a safe location.

All conditions which would cause the BMS to disable the throttle are also signaled by a flash code pattern at self-test. If you suspect that the BMS has disabled the throttle control on your motorcycle, turn the key switch OFF and back ON again to enter self-test mode. The flash code pattern from the BMS reports any of the error conditions which would cause the BMS to disable the throttle.

Each of these conditions, the associated self-test flash code pattern, and the suggested remedies are discussed in Understanding BMS Flash Code Patterns on [page 6.8](#).

- Power Pack Empty
- Too Hot
- Power Pack Unbalanced

Charger-Disable Interlock

When the charger is attached and plugged in to AC power, the BMS communicates with the charger. The BMS can send a signal to the charger requesting that charging terminates immediately. When the charger is disabled, the indicator lights on the charger displays that charging has stopped.

There are two conditions that cause the BMS to disable charging:

1. Too hot

The BMS detects an internal power pack temperature above 131°F (55°C).

2. Too cold

The BMS detects an internal power pack temperature below 32°F(0°C).

What Does This Limited Warranty Cover?

Zero Motorcycles Inc. ("Zero") warrants that all factory manufactured 2014 Zero S/DS/SR motorcycles are free from defects in material and workmanship during the period of this Limited Warranty.

This Limited Warranty covers parts, including the motor, motor controller, frame, swing arm, fork, rear shock, brake assemblies, wheels and electrical sub-assemblies, and approved Zero accessories installed at the time of purchase by an authorized Zero dealer.

This Limited Warranty also covers the following items, collectively referred to as "Power Packs":

- The Z-Force® Power Tank accessory that may be mounted in a Zero S/DS/SR model motorcycle. Should the Z-Force® Power Tank be purchased after the initial "in service date" of the host Zero motorcycle, the Z-Force® Power Tank's warranty duration will match the remaining Power Pack warranty from the host Zero motorcycle.
- ZF8.5 and ZF11.4 Z-Force® Li-Ion Power Packs installed on the Zero S/DS/SR motorcycle.

This Limited Warranty covers all components of the Power Packs that are included as a part of the Z-Force® Power Pack or Power Tank, including the battery, integrated battery management system, internal wiring, and internal structures.

What Is The Coverage Period Of This Limited Warranty?

The duration of this Limited Warranty for 2014 Zero S/DS/SR motorcycles, not including the Power Packs, is a period of 2 years from the original "in service date."

Note: The "in service date" is the date that the authorized dealer performs a pre-delivery inspection ("PDI") and delivers the motorcycle to the customer. In the event these events occur on different dates, the later date shall be the "in service date."

The duration of this Limited Warranty for the Power Packs (not including the Power Pack's outer case) is:

- Up to 5 years or 100,000 miles, whichever occurs first, from the "in service date" of the host 2014 Zero S/DS/SR motorcycle for the Z-Force® Power Tank accessory. If purchased after the host Power Pack warranty has expired, the Power Tank will receive the standard warranty of 1 year from date of purchase.
- 5 years or 100,000 miles, whichever occurs first, from the "in service date" for the ZF8.5 and ZF11.4 Z-Force® Li-Ion Power Packs on the Zero S/DS/SR motorcycle.

The Power Pack's outer case is not covered under the Power Pack Limited Warranty duration terms above. Instead, the Power Pack's outer case is covered for a period of 2 years from its "in service date."

Limited Warranty Information

Who Does This Limited Warranty Cover?

This Limited Warranty applies to all original owners who submit the warranty registration card within the required time period as printed on the registration card.

This Limited Warranty may only be transferred to new owners with payment of a \$50 processing fee and submission of a new registration card by the new owner. See *“Transfer Of Ownership And Warranty”, on page 7-6.*

What Is Not Covered By This Limited Warranty?

Due to the battery chemistry, there is a normal, expected reduction in range/capacity that Power Packs can yield over time and usage. Depending on use and storage conditions, Power Packs will degrade during the duration of this Limited Warranty period. Zero will only repair or replace pursuant to this Limited Warranty a Power Pack that exhibits a nominal storage capacity reduction of greater than 20% of the published nominal capacity, as measured by an authorized Zero dealer. To check the capacity of a Power Pack, an authorized Zero dealer can perform a battery management system log data extraction, which will confirm if a reduction is within expected norms.

Further, this Limited Warranty only covers 2014 Zero S/DS/SR motorcycles or Power Packs/Power Tanks that

are operated according to “proper use” and “under normal operating conditions.” For purposes of this exclusion, the following definitions apply:

- “Normal operating conditions” require routine care and maintenance of the 2014 Zero S/DS/SR motorcycle and Power Packs as described in this Owner’s Manual.
- “Proper use” means only the use of a motorcycle in the manner intended for a rider and passenger on a 2014 Zero S/DS/SR with proper safety equipment as described in this Owner’s Manual, in accordance with local regulations.
- “Proper use” also means charging the Power Pack after each use and storing it in a fully charged state, or recharging it every 30 days, or keeping it on the charger when in storage or not in regular use.

In addition, this Limited Warranty does not cover:

- The cost of parts and labor involved in any routine care and maintenance and/or the replacement of parts due to normal wear and tear, use, or deterioration, including but not limited to: tires, brake pads and rotors, fork seals, grips, foot pegs, and the seat;
- The replacement of fluids, unless their replacement is a necessary part of warranty service on a covered component;
- Wheels on off-road bikes once they have been ridden

Limited Warranty Information

- Any cosmetic concerns that arise as a result of environmental conditions, owner abuse, misuse, lack of routine care and maintenance, and/or improper use;
- Parts or components damaged by use or operation under abnormal circumstances or contrary to the requirements described in this Owner's Manual.
- Zero motorcycles and Power Packs used for racing or other competitive events;
- Zero motorcycles and Power Packs misused or improperly operated;
- Damage, malfunctions, or performance problems caused by modifications or alterations to 2014 Zero S/DS/SR motorcycles and/or Power Packs – including modifications or alterations performed by an authorized Zero dealer – that cause the Zero motorcycle or Power Pack to fail;
- Damage, malfunctions, or performance problems caused by aftermarket accessories installed on a Zero motorcycle or Power Pack after the “in service date,” or caused by aftermarket accessories installed by someone other than an authorized Zero dealer;
- Damage, malfunctions, or performance problems caused by the improper repair of the motorcycle, installation of any parts or accessories not sold or approved by Zero, the installation and use of any parties or accessories that alter the motorcycle's specifications from those set by Zero, or the use of new or used parts not approved by Zero;
- Damage, malfunctions, or performance problems caused by fire, collision, accident, or improper storage;
- Damage, malfunctions, or performance problems caused by continued operation of the motorcycle after a warning light, gauge reading, or other warning indicates a mechanical or operational problem;
- Motorcycles severely damaged or declared to be a total loss by an insurer, or motorcycles substantially reassembled from or repaired with parts obtained from another used motorcycle;
- Damage, malfunctions, or performance problems caused by the failure to follow recommended maintenance requirements as set forth in this Owner's Manual; and,
- Damage, malfunctions, or performance problems caused by airborne industrial pollutants (e.g., acid rain), bird droppings, tree sap, stones, flood water, windstorms, or other similar occurrences;

Further, this Limited Warranty does not apply to Zero motorcycles or parts and accessories that are not imported or distributed by Zero.

Limited Warranty Information

What Other Limitations Or Disclaimers Apply To This Limited Warranty

The following additional limitations and disclaimers apply to this Limited Warranty:

- This Limited Warranty is the only express warranty made in connection with the sale of this Zero Motorcycle model. Any implied warranty, including any warranty of merchantability or warranty of fitness for a particular purpose is limited in duration to the stated period of this written warranty. (Some states do not allow limitations on how long an implied warranty lasts, so this limitation may not apply to you.)
- Zero does not assume – or authorize any person to assume – any other obligation or liability on its behalf.
- This Limited Warranty does not cover any incidental or consequential damages, including loss of value of the motorcycle, lost profits or earnings, out-of-pocket expenses for substitute transportation or lodging, expenses associated with returning the covered product to a authorized service facility or dealer, towing and/or roadside assistance expenses, expenses associated with returning the covered product back to its owner, mechanic's travel time or communication charges, loss or damage to personal property, loss or time, or inconvenience. (Some states do not allow the exclusion or limitation of incidental or consequential damages, so this limitation or exclusion may not apply to you. This warranty gives you specific legal rights and you may also have other rights, which vary from state to state.)
- Zero Motorcycles reserves the right to change or improve the design of any Zero motorcycle, Power Pack, or any other Zero parts (collectively, “Zero products”) at any time, without assuming any obligation to modify any Zero products previously manufactured or sold.
- The purchaser acknowledges that there is an inherent risk in the operation of motorcycles. This Limited Warranty does not cover - and Zero cannot assume responsibility for - any injury arising from the unsafe or improper operation of Zero products, or the user's failure to comply with instructions, care and maintenance requirements, warnings, and safety precautions
- The original registered owner or subsequent registered transferee as documented on the Zero motorcycle warranty registration form is responsible for conveying the Owner's Manual and all safety warnings, instructions, and Limited Warranty if the unit is sold, loaned, or otherwise transferred to another person.

What Are Your Responsibilities As A Customer?

As the owner of a product covered by this Limited Warranty, it is your responsibility to read and understand this Owner's Manual, this Limited Warranty, and all product warnings before operating your Zero motorcycle. Serious injury or death can result from improper operation or failure to observe warnings and safety instructions on any motorcycle.

Further, it is also your responsibility to:

- Perform all recommended and necessary routine care and maintenance and engage in proper use of your Zero motorcycle and Power Pack as detailed in this Owner's Manual.
- Learn and obey all federal, state, and local laws governing the operations of a motorcycle, generally, and an electric motorcycle, specifically.
- At all times when operating a Zero motorcycle wear proper safety equipment and clothing, including but not limited to helmet, goggles, and appropriate boots.

What Will Zero Do Under This Limited Warranty?

During the duration of this Limited Warranty, an authorized Zero dealer will repair or replace (at Zero's discretion), without charge, any 2014 Zero S/DS/SR motorcycle, Power Packs, or parts that are covered by this Limited Warranty and found by Zero or an authorized Zero dealer to be defective in factory materials or workmanship.

Limited Warranty Information

How Do You Obtain Service Under This Limited Warranty?

Warranty services may be obtained by contacting your local Zero Motorcycle dealer. Please refer to the dealer locator on our website (www.zeromotorcycles.com/locator) for your nearest location.

In the event that a dealer is not in your state, province, or country, you can contact Zero Motorcycles Inc. directly at **+1 (888) 841-8088** (Monday-Friday, 8am to 5pm Pacific Time) or via e-mail at support@zeromotorcycles.com.

In any written or telephonic communication, please state the specific nature of any circumstances leading to the problem.

North America and Canada:

Zero Motorcycles Inc.
380 El Pueblo Road
Scotts Valley, CA 95066
USA

Europe:

Zero Motorcycles BV
Fluorietweg 12D
Alkmaar, 1812 RR
NL

(U.S. and International Patents and Trademarks Pending)

Transfer Of Ownership And Warranty

When it comes time to sell your Zero Motorcycle, please visit the Zero Motorcycles website and access the Owner Resources section to fill out the on-line transfer of ownership and warranty form. This must be performed to allow Zero Motorcycles the ability to contact the new owner in the unlikely event of a safety related issue. Use the email address below or feel free to contact the Zero Motorcycles Customer Service department for assistance.

Zero Motorcycles Inc.
380 El Pueblo Road
Scotts Valley, CA 95066
USA

Phone: **+1 (888) 841-8085**

Monday-Friday 8am to 5pm (Pacific Time)

E-mail: support@zeromotorcycles.com

Customer Assistance

Please have the following available when contacting Zero Motorcycles Inc. as they are essential to effectively and efficiently answer your questions or resolve your concerns.

- Owner's name and address
- Owner's telephone number
- Vehicle identification number (VIN)
- Date of purchase
- Motor serial number (if visible)

An owner information chart is provided on page 1-3 to record this information.

Zero Motorcycles Inc. can be contacted as follows:

Zero Motorcycles Inc.
380 El Pueblo Road
Scotts Valley, CA 95066
USA

Phone: **+1 (888) 841-8085**

Monday-Friday 8am to 5pm (Pacific Time)

E-mail: support@zeromotorcycles.com (24 hours)

For 24 hour updates and additional information about your motorcycle, visit the Owner Resources section of the Zero Motorcycles website:

www.zeromotorcycles.com/owner-resources/

Reporting Safety Defects

If you believe that your vehicle has a defect which could cause a crash or could cause injury or death, you should immediately inform the National Highway Traffic Safety Administration (NHTSA) in addition to notifying Zero Motorcycles Inc.

If NHTSA receives similar complaints, it may open an investigation, and if it finds that a safety defect exists in a group of vehicles, it may order a recall and remedy campaign. However, NHTSA cannot become involved in individual problems between you, your dealer, or Zero Motorcycles Inc.

To contact NHTSA, you may call the Vehicle Safety Hotline toll-free at:

1-888-327-4236 (TTY: 1-800-424-9153); go to <http://www.safercar.gov>; or write to:

Administrator
National Highway Traffic Safety
1200 New Jersey Avenue SE
Washington, DC 20590

You can also obtain other information about motor vehicle safety from:

<http://www.safercar.gov>

A	
Accessories	5.22
B	
Brake/Tail Light Bulb Replacement	5.19
Brakes	5.9
Brake Fluid Level Inspection	5.10
Brake Pad Inspection	5.12
Braking	4.14
DOT 4 brake fluid	5.11
Front Brake	5.10
Rear Brake	5.11
C	
Charging	
CHAdEMO Charger	1.13, 4.13
Charging the Power Pack	4.9
Cleaning Your Motorcycle	5.21
Contact information	
NHTSA	7.7
D	
Dash Settings	3.12
Drive Belt	5.14
Checking Drive Belt Tension	5.14
E	
Emissions Information	1.16
F	
First Time Set-Up	4.1
Fuses	5.22
High Voltage Fuse Center	5.24
G	
General Operation	4.3
Key Switch/Steering Lock Positions	4.4
Pre-Ride Inspection	4.3
General Safety Precautions	2.1
General Troubleshooting	6.5
H	
Headlight	
Alignment	5.16
Bulb Replacement	5.17
I	
Important Operating Information	2.2
Inspection	
Pre-Ride	4.3
Instrument Panel	3.8, 3.10

Index

K

- Keys
- Replacement Code Number 1.4

L

- Location Of Important Labels 2.3

M

- Maintenance Schedule 5.2
- Maximizing Range 1.13
- Motor Serial Number 1.4

O

- Operating Your Motorcycle 4.14
 - Braking 4.14
 - Stopping 4.14
- Owner Information Record 1.3
- Owner's Responsibilities 5.1

P

- Parking 5.22
- Parts/Maintenance Items 5.1
- Performance Level Switch 3.19
 - ECO Position 3.19
 - SPORT Position 3.19

- Power Pack 5.8
 - Plug in Your Z-Force Power Pack 1.2
 - Serial Number 1.4
- Pre-Ride Inspection 4.3
- Public Charging Stations 1.13

Q

- Quick Charging 4.11

R

- Reporting safety defects 7.7

S

- Safe Riding Information 1.2
- Safety Interlocks 6.14
- Serial Number
 - Motor 1.4
 - Power Pack 1.4
- Smartphone Application 3.15
- State of Charge (SOC) 3.15
- Storage
 - Long Term 5.22
- Suspension
 - Front 5.12
 - Rear 5.12

Suspension Adjustment.....	4.16
Front Fork Adjustment	4.17
Rear Shock Adjustment	4.18
Suspension settings	
Front (Factory)	4.17
Rear (Factory).....	4.22

T

Technical Specifications

Zero DS Technical Specifications	1.8, 1.10
Zero S Technical Specifications.....	1.6
Tire Inflation	5.13
Transporting	1.17
Troubleshooting	
Battery Management System (BMS).....	6.6
Charge Mode	6.8
Run Mode	6.9
Turn Signal Light Bulb Replacement	5.19

U

Unpacking Your Zero Motorcycle	4.2
Recycling	4.2

V

Vehicle Identification Number (VIN)	
Location.....	1.4
Understanding Your VIN Number	1.5
Vehicle Range	1.12

W

Warning Lights.....	3.8, 3.10
Warranty	
Coverage.....	7.1
Exclusions	7.2
Transfer Of Ownership And Warranty	7.6
Wheels And Tires	5.13

First Responder Information - High Voltage Components Locations



WARNING



**DO NOT CUT
COLORED
ZONES**

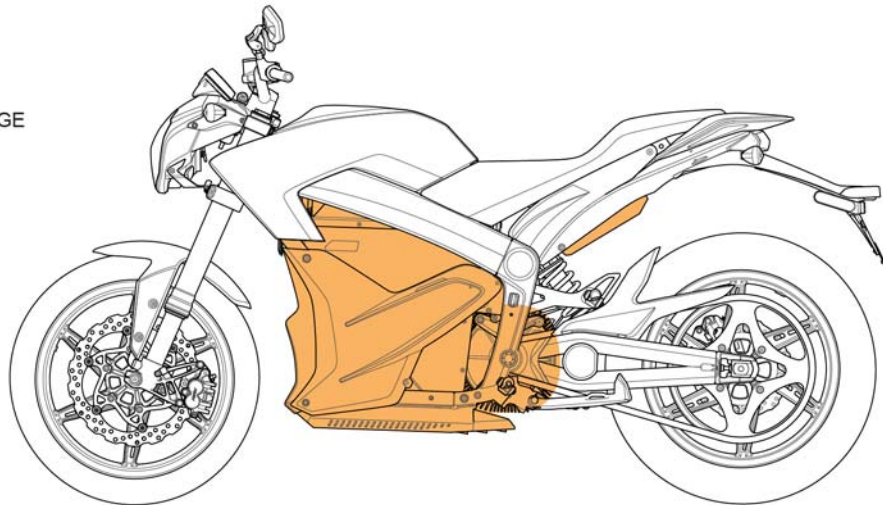


NEVER cut high voltage components or cabling. Cutting could result in serious injury or death.



High voltage cables and components may remain energized for up to 60 seconds after disabling.

 **HIGH-VOLTAGE**





TAKE CHARGE™



WWW.ZEROMOTORCYCLES.COM